



SPECIFICATIONS

MODEL NO
OBO-50008G-01

PART NAME
DYNAMIC SPEAKER

SHEET
2 OF 6

MODEL NO : OBO-50008G-01

Features:Conformity ROHS Directive(2002/95/EC) Requests.

1. General Specifications

Items	Spec.
Magnet	Materials: Rare Earth Size: 12.5*1.8mm
Weight	Approx 11.0 Grams
Nominal Impedance	8Ohm±15% At 1000 Hz
Power Rating	Normal 0.2W. Maximum 0.5W.
Lowest Resonant Frequency	400±150Hz.
Output Sound Pressure Level (S.P.L)	82±3dB /0.2W/0.5Meter Average at1000,1200,1500,2000Hz.
Frequency Range	280 ~ 11,000Hz. Average SPL -10dB.
Distortion	5% Maximum At 1000Hz/0.2W
Abnormal Sound Test	Must be Normal Tested by 1.26Volts. Sine Wave.
Polarity	Diaphragm shall move Forward when Apply a Positive DC Current to the “+” or “Marked” Terminal.
Operating Temperature	-25°C to +50°C
Storage Temperature	-25°C to +55°C

2. Environmental Test

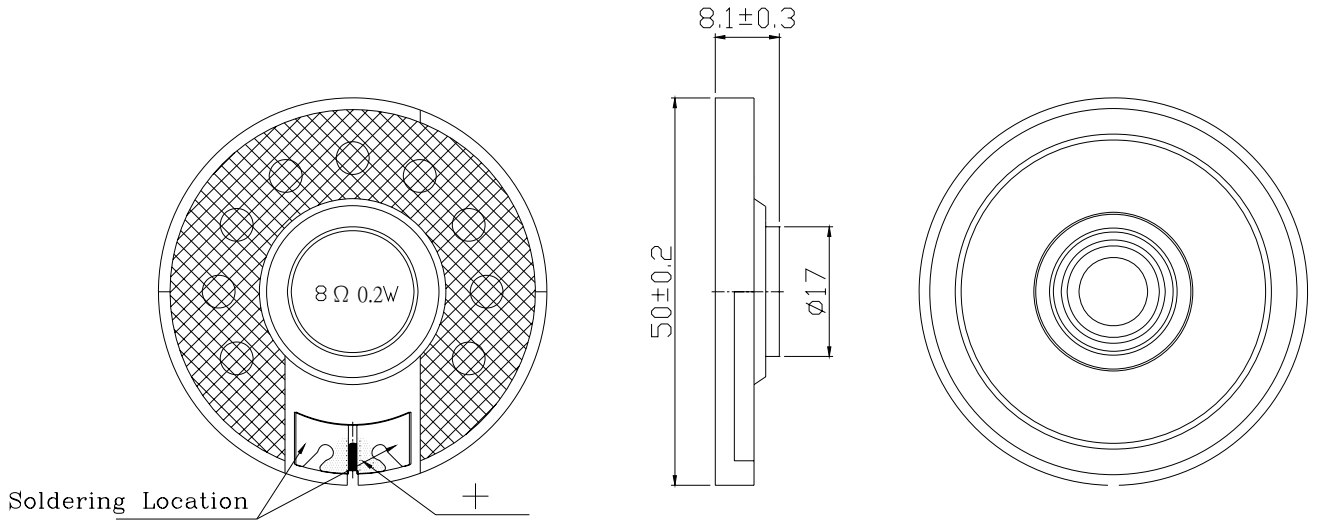
Humidity Test	Temperature: +40°C±3°C Relative Humidity: 90% ~ 95% Duration: 96 Hours Duration of recovery: 6 Hours	
Temperature Cycle Test	High Temperature: +55°C±3°C Low Temperature: -25°C±3°C Duration of Exposure: 1Hour Duration of Transfer Time: Less Than 5 to 7Minutes Cycle: 5 Cycles	
Vibration Test	Vibration Direction: 3 axes Mounting: Unit Shall Be Rigidly Restrained On The Table Frequency: 10-55Hz Amplitude: 1.5m/m Endurance: 2 Hour in Each Plane Duration of Transfer Time: Less Than 5Minutes	
Load Test	White Noise With Weighted Filter 1.26Volts.(RMS) 100 Hrs. 20~20,000Hz Resonant Frequency.	
Drop Test	Drop the speakers contained in normal box onto the board 40mm thick 10 time from the height of 75cm.	

3. Mechanical Layout And Dimensions

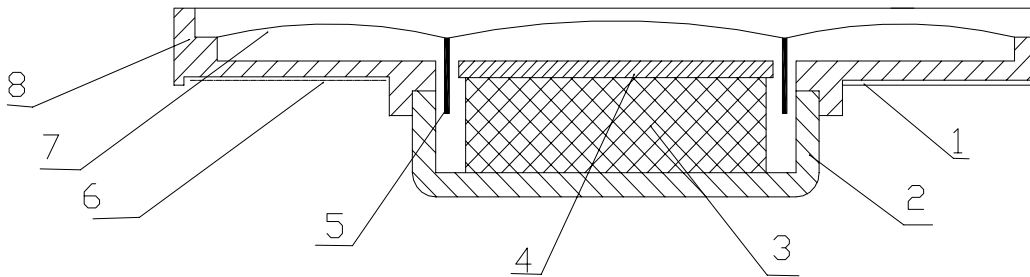
3.1 Dimensions

※1

Unit: mm Tol: ±0.5



3.2 Construction Diagram

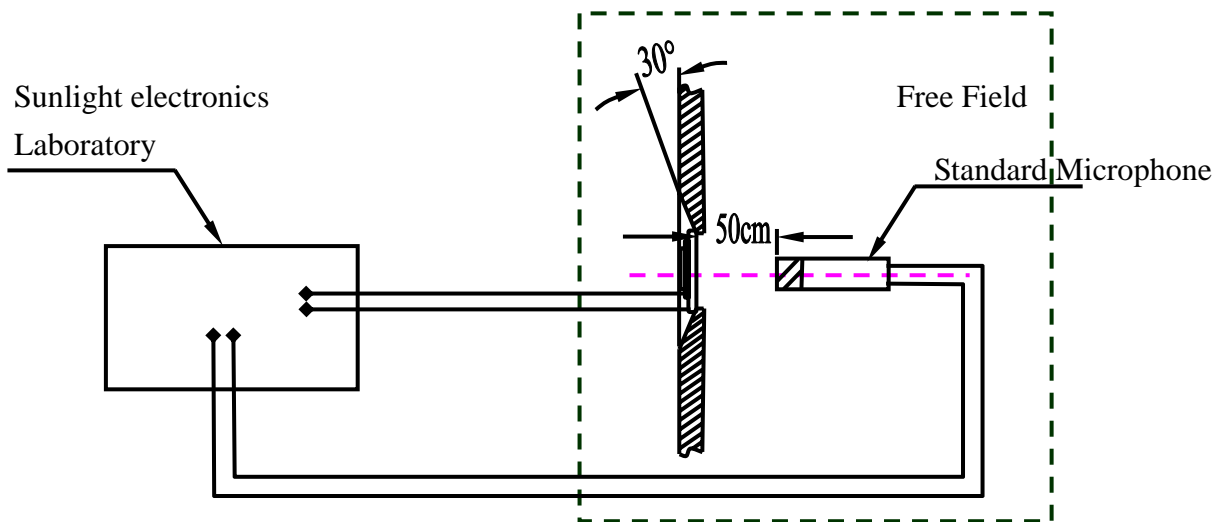


10			
9			
8	PLASTICS CASE	ABS	1
7	DIAPHRAGM	MYLAR	1
6	CLOTH	CLOTH	1
5	VOICE COIL	DIA 13.4mm	1
4	WASHER	SPCC	1
3	MAGNET	NdFeB	1
2	YOKE	SPCC	1
1	TERMINAL	P.C.B	1
NO	PART NAME	MATERIAL	Q'TY

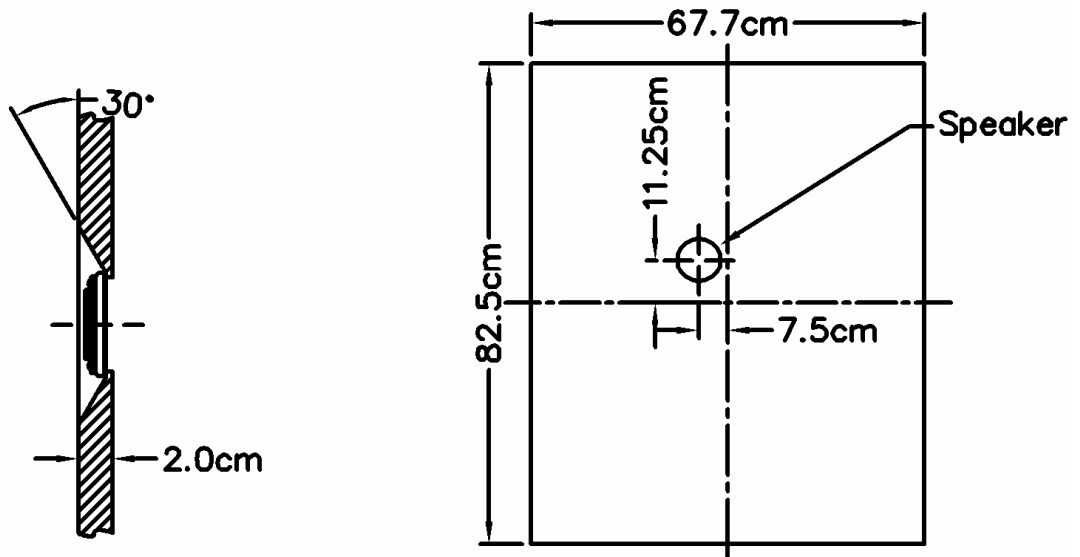
4. Test Method

4.1 Measurement Diagram

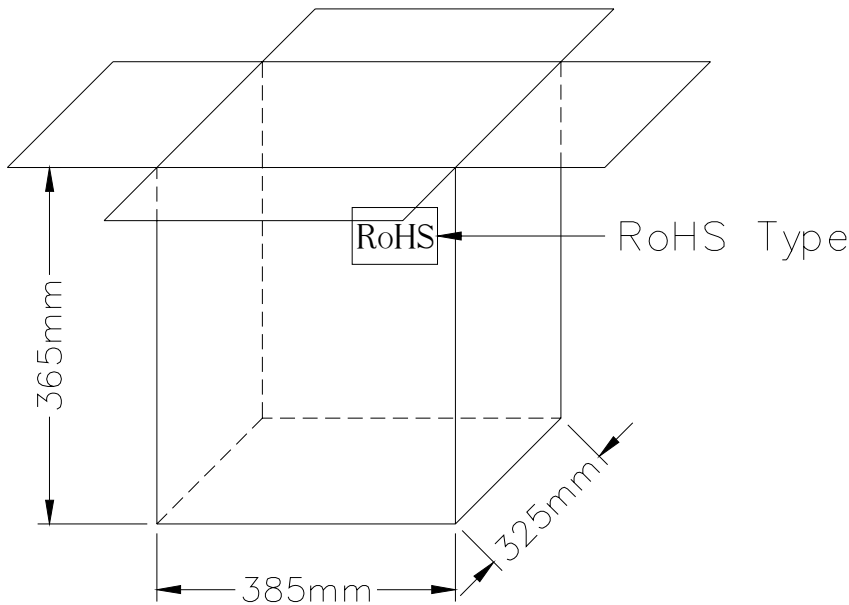
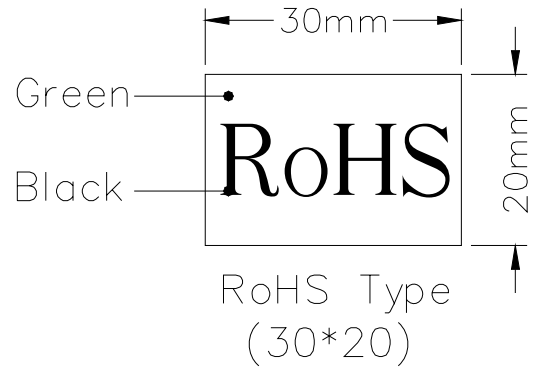
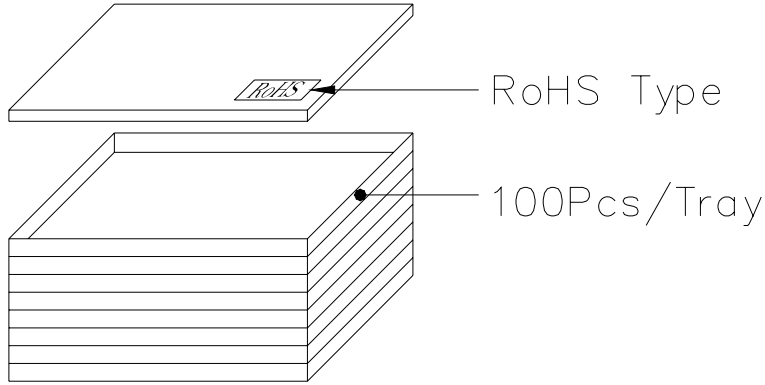
Electroacoustic
Testing Adapter



4.2 Standard Baffle



5.Packing



600Pcs/Carton
6Tray(385*325*365mm)

6.Frequency Response Cur

