



SPECIFICATIONS

MODEL NO
OBO-40008F-04

PART NAME
DYNAMIC SPEAKER

SHEET
2 OF 6

MODEL NO : OBO-40008F-04

Features:Conformity RoHS Directive(2002/95/EC) Requests. ~~RoHS~~ 1

1. General Specifications

Items	Spec.
Magnet	Materials NDFEB Size:Φ12.5*1.5mm
Weight	Approx 9.2Gram
Nominal Impedance	8 Ohm±15% At 1000Hz/1.0V
Power Rating	Normal 1.0W. Maximum 2.0W.
Lowest Resond Frequency	550±150Hz
Output Sound Pressure Level (S.P.L)	87±3 dB/1.0W/0.5M Average at 1000,1200,1500,2000Hz.
Frequency Response Range	350~5000Hz SPL-10dB
Distortion	5% Max 1200Hz/1.0W
Abnormal Sound Test	Must be Normal Tested by 2.83Volts. Sine Wave.
Polarity	Diaphragm shall move Forward when Apply a Positive DC Current to the “+” or “Marked” Terminal.
Operating Temperature	-25°C TO +50°C
Storage Temperature	-25°C TO +55°C

2. Environmental Test

Humidity Test	Temperature:	+40°C±3°C
	Relative Humidity:	90% ~ 95%
	Duration:	96 Hours
	Duration of recovery:	6 Hours
Temperature Cycle Test	Low Temperature:	-25°C±3°C
	High Temperature:	+55°C±3°C
	Number of Cycle:	3Cycles
	Duration of Transfer Time	Less Than 1 Hours.
Load Test	White Noise With Weighted Filter 2.83Volts.(RSM) 100 Hrs 20~20,000Hz Resonant Fequency.	
Drop Test	75cm Free Falling On Counter Floor,10 Times.	
Vibration Test	Vibration Direction:	3 axes
	Frequency:	1,000 Cycle/Minute
	Amplitude:	1.5m/m
	Endurance:	1 Hour in Each Plane
Duration of Transfer Time:	Less Than 5 Minutes	

OBO Pro.2

SPECIFICATIONS

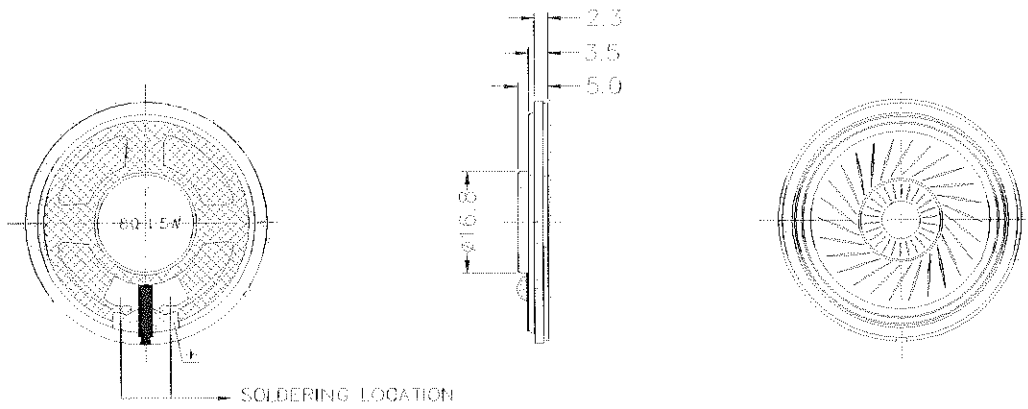
MODEL NO
OBO-40008F-04

PART NAME
DYNAMIC SPEAKER

SHEET
3 OF 6

3. Appearance Drawing

Unit: mm Tolerance:±0.3

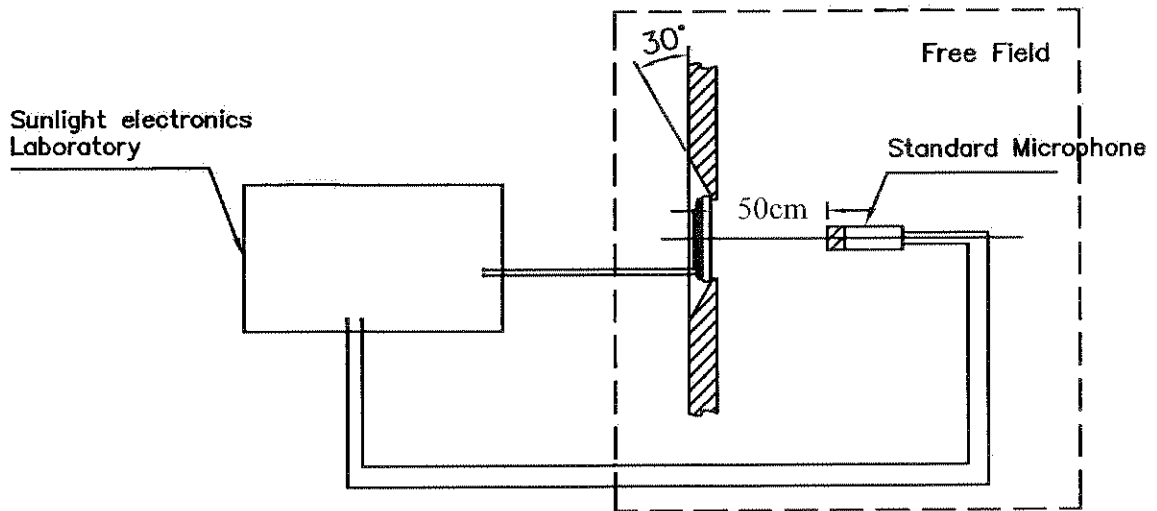


⊠ 1 PCB Soldering Temperature 280°C~320°C Max for 3 seconds

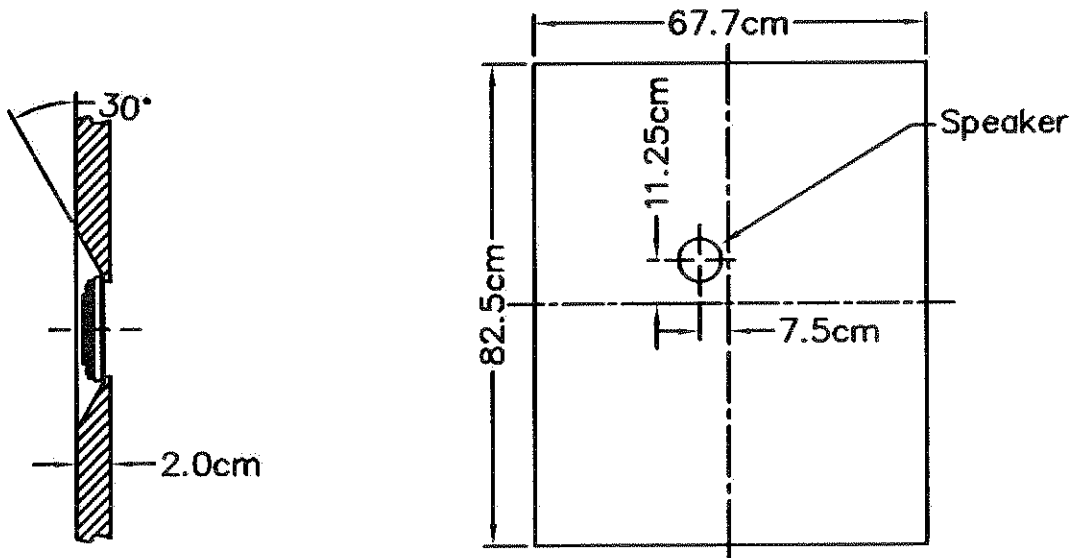
4. Test Method

4.1 Measurement Diagram

Electroacoustic
Testing Adapter



4.2 Standard Baffle



OBO Pro.2

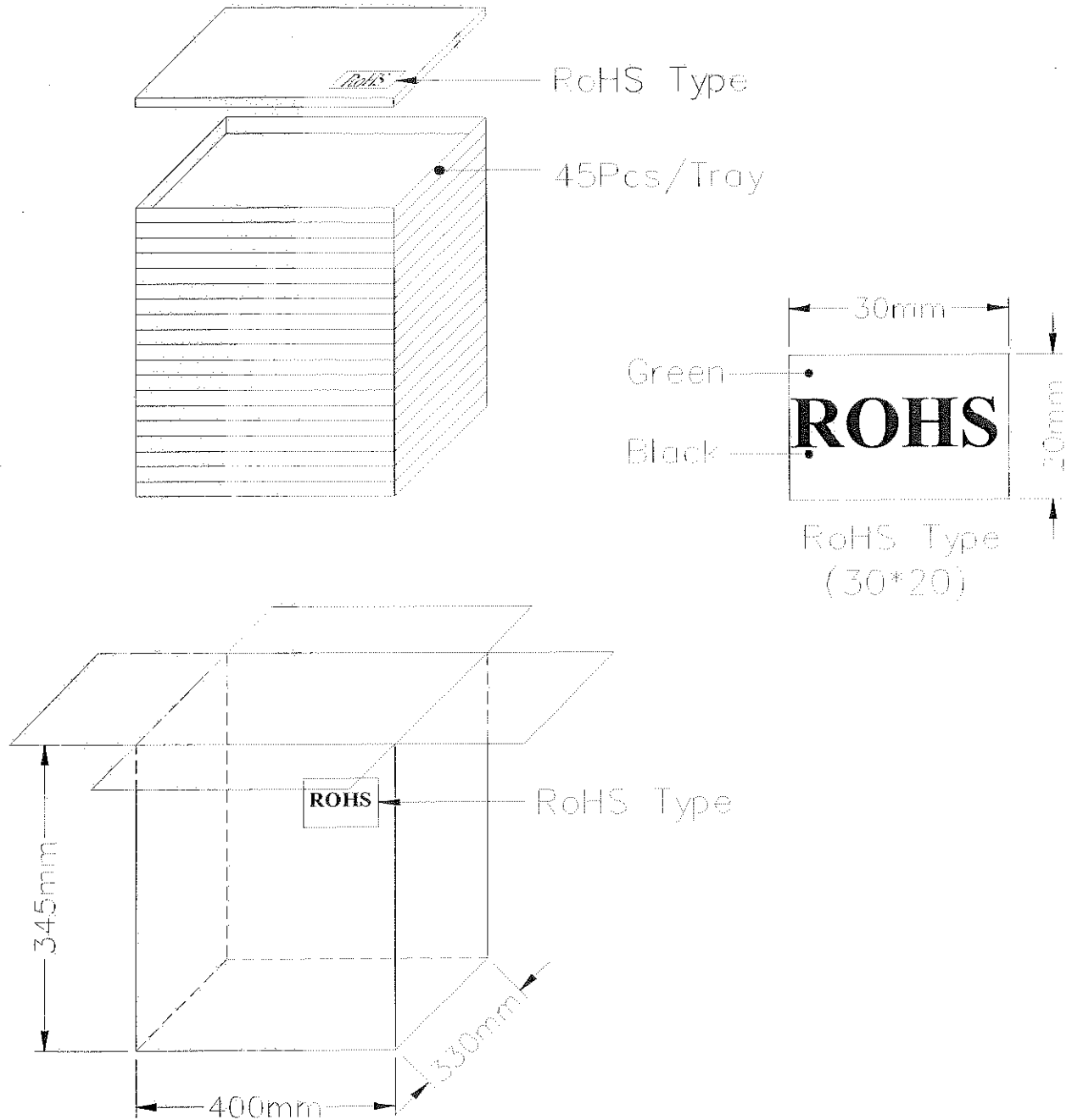
SPECIFICATIONS

MODEL NO
OBO-40008F-04

PART NAME
DYNAMIC SPEAKER

SHEET
5 OF 6

5. PACKAGING ※2



900Pcs/Carton
20Tray(400*330*345mm)

6. Frequency

Mode: MICHEAS

OB-APR-2002 11:42:32

