



# SPECIFICATIONS

MODEL NO  
OBO-36032F-01

PART NAME  
DYNAMIC SPEAKER

OBO SPEET INC.  
2012.02.27

## ALTERNATION HISTORY

文件发行章

Marking	Date	ECN NO.	REV.	Description	Page	PREPARE BY	APPROVE BY
※1	JAN,20,06	0601007	D	1.Conformity RoHS Directive(2002/95/EC) Requests 2.Change Packing and Frequency Range 3.Increase by solder and Condition	6	簡沛玲	蕭可致
※2	APR,18,2011	DG1104006	E	Change Dimensions	6	李小蓮	謝明福
※3	FEB.26,2012	---	F	Change Packing	6	肖梅梅	Joym

REV.	DATE	PREPARED BY	CHECKED BY	APPROVED BY
F	FEB.26,2012	肖梅梅	王志伟	Joym 3/16

**OBO Pro.2****SPECIFICATIONS**

MODEL NO

OBO-36032F-01  
OBO PRO.2 INC.  
SHEET  
2 OF 5  
2012 MAR 27PART NAME  
DYNAMIC SPEAKER

文件发行章

MODEL NO : OBO-36032F-01

Features:Conformity RoHS Directive(2002/95/EC) Requests.

## 1. General Specifications

Items	Spec.
Magnet	Materials Rare Earth Size: $\Phi 12.5 \times 1.5$ mm
Weight	Approx 8.1Grams
Nominal Impedance	32 Ohm $\pm 15\%$ At 1000 Hz
Power Rating	Normal 0.1W. Maximum 0.2W.
Lowest Resonant Frequency	400 $\pm 150$ Hz.
Output Sound Pressure Level (S.P.L)	80 $\pm 3$ dB /0.1W/0.5Meter Average at 1000,1200,1500,2000Hz.
Frequency Range ※1	300 ~ 5,000 Hz. Average SPL -10dB.
Distortion	5% Maximum At 1000Hz/0.1W
Abnormal Sound Test	Must be Normal Tested by 1.79Volts. Sine Wave
Polarity	Diaphragm shall move Forward when Apply a Positive DC Current to the "+" or "Marked" Terminal.
Operating Temperature	-25°C to +50°C
Storage Temperature	-25°C to +55°C

## 2. Environmental Test

Humidity Test	Temperature:	+40°C $\pm 3$ °C	
	Relative Humidity:	90% ~ 95%	
	Duration:	96 Hours	
	Duration of recovery:	6 Hours	
Temperature Cycle Test	Low Temperature:	-25°C $\pm 3$ °C	
	High Temperature:	+55°C $\pm 3$ °C	
	Duration of recovery:	1 Hours	
	Duration of Transfer Time:	Less Than 5 to 7Minutes	
	Duration of Exposure :	1Hour	
	Cycle:	3 Cycles	
Vibration Test	Vibration Direction:	3 axes	
	Mounting:	Unit Shall Be Rigidly Restrained On The Table	
	Frequency:	1,000 Cycle/Minute	
	Amplitude:	1.5m/m	
	Endurance:	1 Hour in Each Plane	
	Duration of Transfer Time:	Less Than 5Minutes	
Load Test	White Noise With Weighted Filter 1.79 Volts.(RMS) 96 Hrs. 20~20,000Hz Resonant Frequency.		
Drop Test	75cm Free Falling On Concrete Floor, with 10 times.		

# OBO Pro.2

## SPECIFICATIONS

MODEL NO  
OBO-36032F-01

PART NAME  
DYNAMIC SPEAKER

SHEET  
OBO PRO.2 INC.  
3 OF 5  
2012 MAR 27

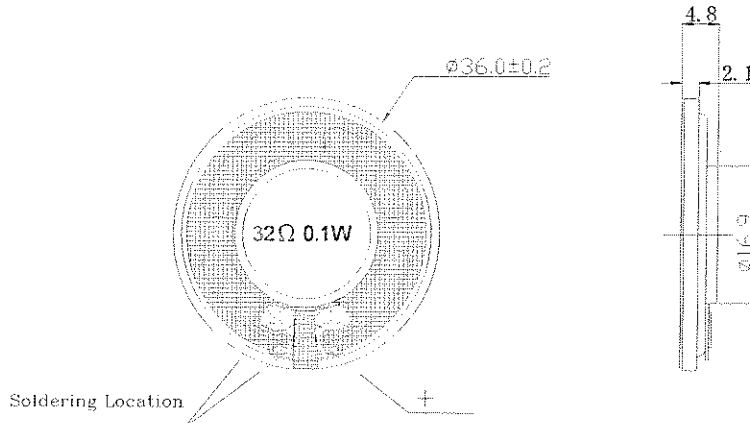
文件发行章

### 3. Mechanical Layout And Dimension

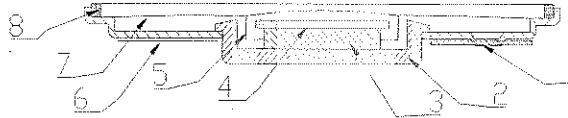
#### 3.1 Dimension.

※2

Unit: mm Tol: ±0.3



#### 3.2 Speaker Construction.

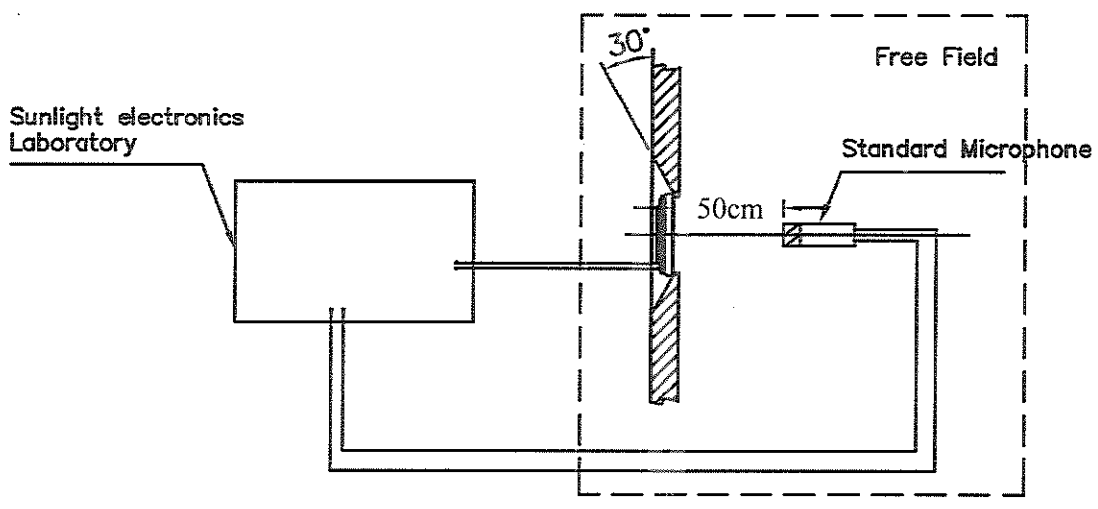


NO	PART NAME	MATERIAL	Q'TY
10			
9			
8	GASKET	ABS	1
7	DIAPHRAGM	MYLAR	1
6	CLOTH	CLOTH	1
5	VOICE COIL	DIA 13.5mm	1
4	WASHER	SPCC	1
3	MAGNET	NdFeB	1
2	YOKE	SPCC	1
1	TERMINAL	P.C.B	1
NO	PART NAME	MATERIAL	Q'TY

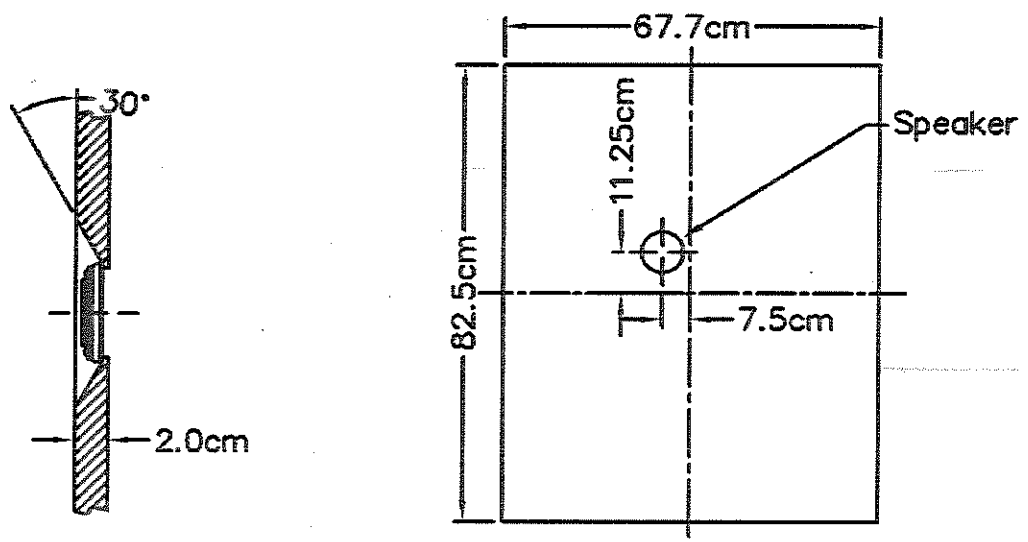
### 4. Test Method

#### 4.1 Measurement Diagram

Electroacoustic  
Testing Adapter



#### 4.2 Standard Baffle



# OBO Pro.2

## SPECIFICATIONS

MODEL NO  
OBO-36032F-01

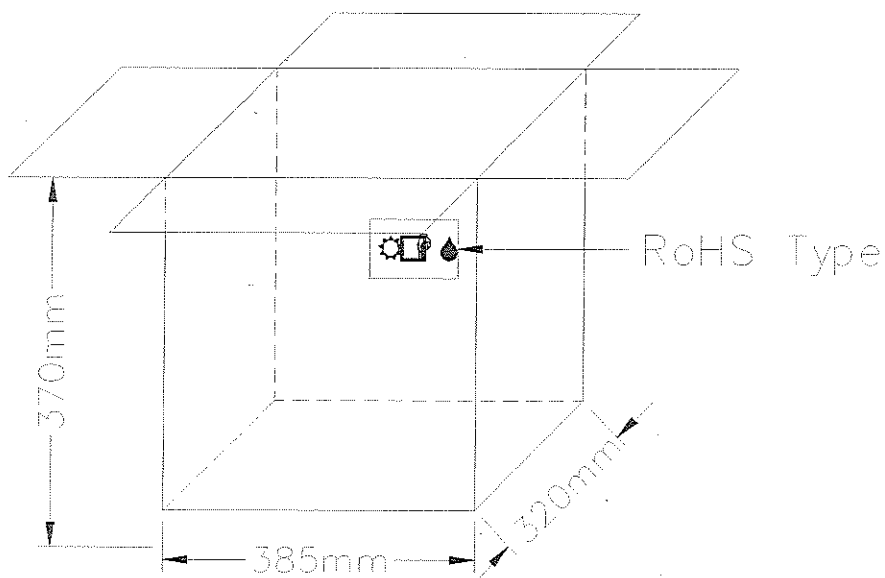
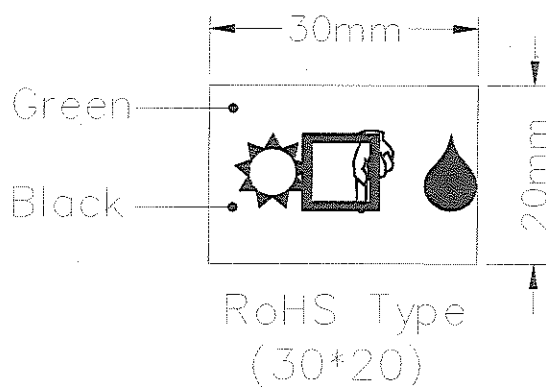
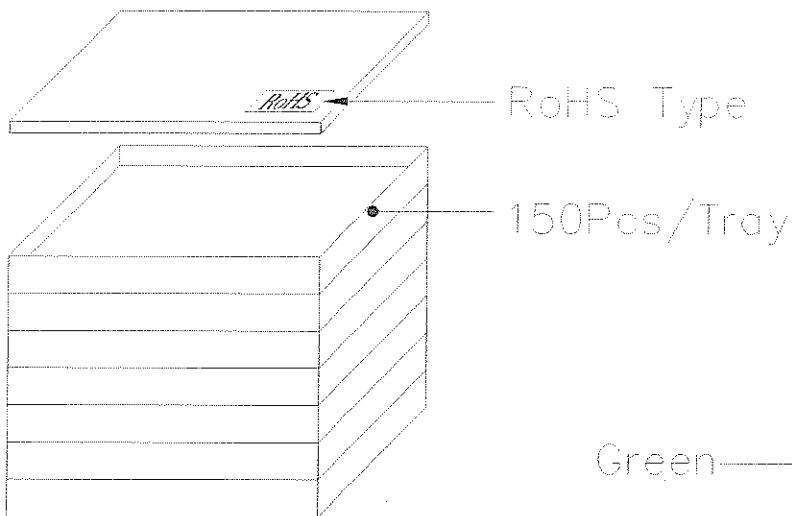
PART NAME  
DYNAMIC SPEAKER

OBSHEET 2 INC  
5 OF 5  
27

文件发行章

### 5.PACKING

※1, ※4



1050Pcs/Carton  
7Tray(385\*320\*370mm)

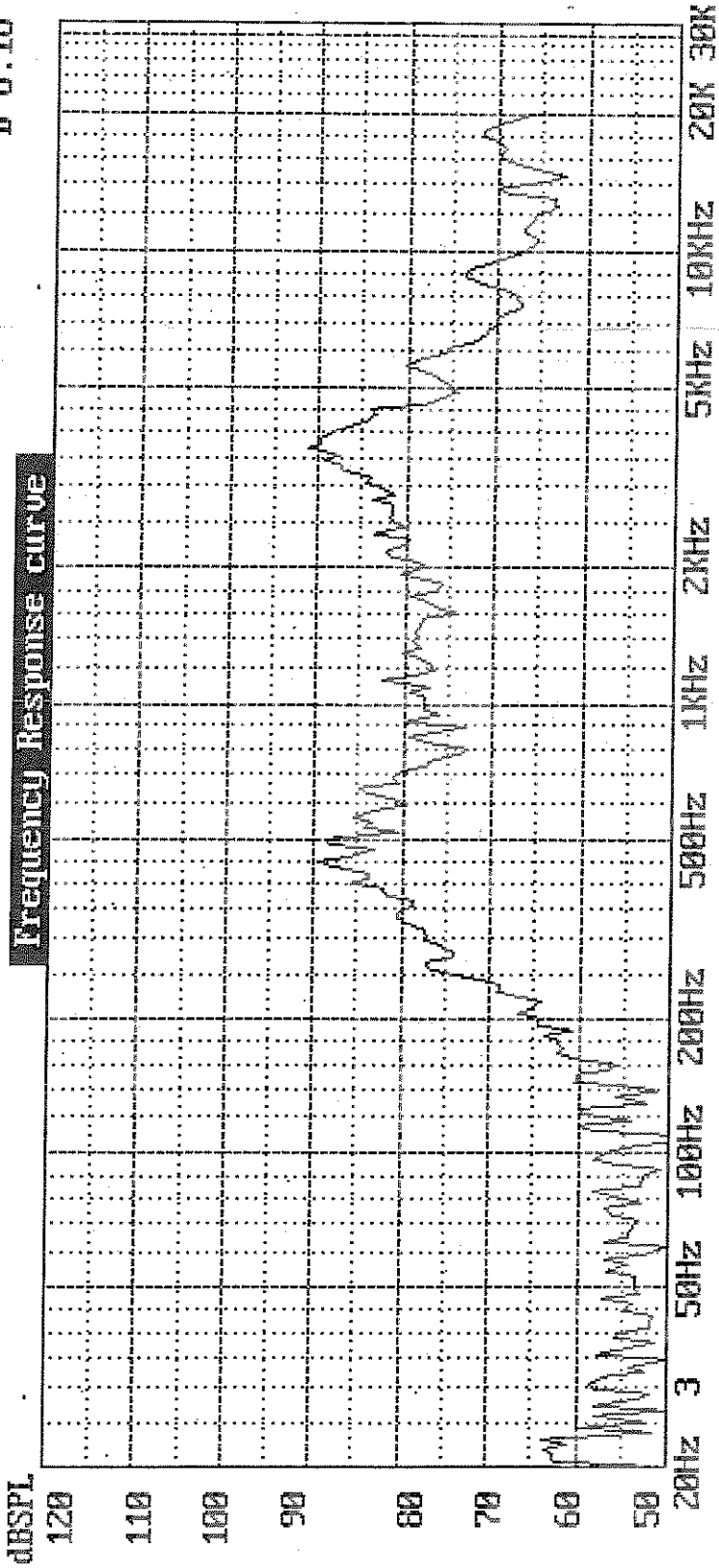
5#

0B0-360032F-01

Sheet No. 6 of 6  
 2012 MAR 27  
 文件发行章

Firm: Model: DATE: 03-22-2012 TIME: 07:40:08  
 1000Hz Sens. = 77.7dB SPL Pass F.R.: Pass DCR: 32.00 Pass  
 Average SPL: 77.6dB SPL Pass (1000:1200:1500: 2000Hz) Sweep Speed: 1/24 Oct.

B 6.18



Voltage applied for F.R. = 1.790V  
 Measuring Distance = 0.50M  
 Start F. = 20Hz Stop F. = 20000Hz

Mfg.:  
 Measured using Sunlight 1600: Fax: 886-2-22230727