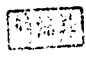
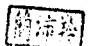


<b>OBO Pro.2</b>	<b>SPECIFICATIONS</b>	<b>MODEL NO.</b> OBO-30AP1
	<b>PART NAME</b> SMD-Electromagnetic Transducer	<b>SHEET</b> 1 OF 10

**ALTERNATION HISTORY**

Marking	Date	ECN. NO.	REV.	Description	Page	PREPARE BY	APPROVE BY
※2	NOV,10'05	0511007	F	1.Conformity RoHS Directive ( 2002/95/EC ) Requests	10		葉可政 11/13

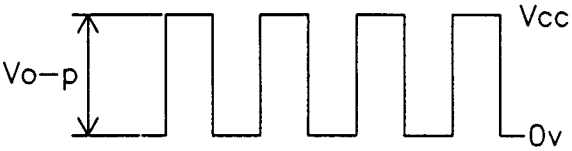
REV.	DATE	PREPARED BY	CHECKED BY	APPROVED BY
F	NOV.10,2005		馮仁如 11/18	葉可政 11/13

<b>OBO Pro.2</b>	<b>SPECIFICATIONS</b>	<b>MODEL NO.</b> OBO-30AP1
	<b>PART NAME</b> SMD-Electromagnetic Transducer	<b>SHEET</b> 2 OF 10

**MODEL NO : OBO-30AP1**

**Features :Conformity RoHS Directive ( 2002/95/EC ) Requests. ※2**

**1. General Specifications :**

	Items	Specification	Conditions
1.1	Rated Voltage	3.0 Vo-p	 <p>Squarewave 1/2 Duty</p>
1.2	Operating Voltage	2-4 Vo-p	
1.3	Resonant Frequency	2700Hz	
1.4	Sound Pressure Level	85dB min.	Standard State, Standard Drive circuit, Rated Voltage, Distance at 0.1m (A-weight) 2700Hz Squarewave 1/2 Duty.
1.5	Average Current Consumption	100mA max.	
1.6	Coil Resistance	16±3Ω	
1.7	Operating Temp. Range	-30°C ~ +70°C	
1.8	Storage Temp. Range	-40°C ~ +85°C	
1.9	Housing Material	LCP	
1.10	Weight	0.5g	
1.11	Frequency Response	As per Fig.1	

<b>OBO Pro.2</b>	<b>SPECIFICATIONS</b>	<b>MODEL NO.</b> OBO-30AP1
	<b>PART NAME</b> SMD-Electromagnetic Transducer	<b>SHEET</b> 3 OF 10

## 2. Standard test Conditions :

2.1 Standard State	Ordinary Temperature	15°C to 35°C
	Ordinary Humidity	25% to 85%
	Ordinary air pressure	860 to 1060hPa

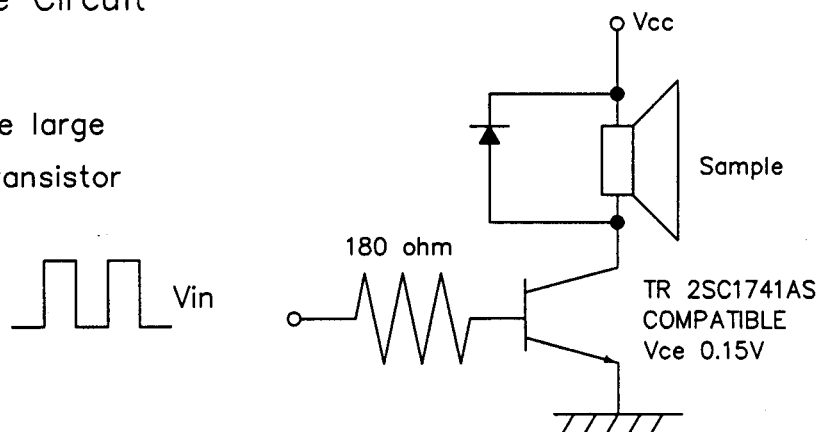
In case of doubtful judgment, the test is re-performed under Basic State.

2.2 Basic State	Temperature	20±2°C
	Humidity	60% to 70%
	Ordinary air pressure	860 to 1060hPa

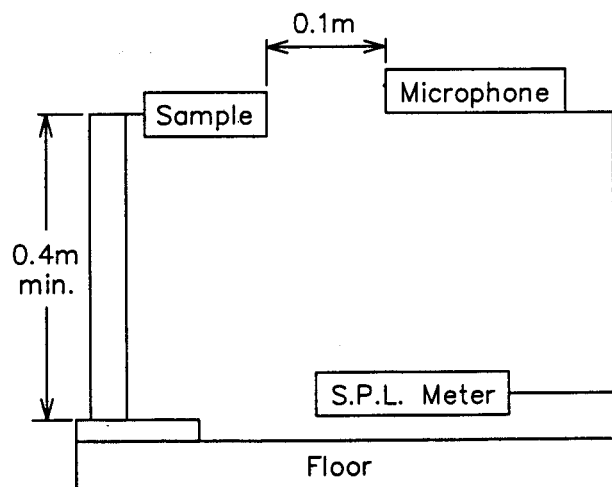
## 3. Test method :

### 3.1 Standard Drive Circuit

Signal amplitude should be large enough to saturate the transistor which drives the buzzer.



### 3.2 Standard Test Fixture

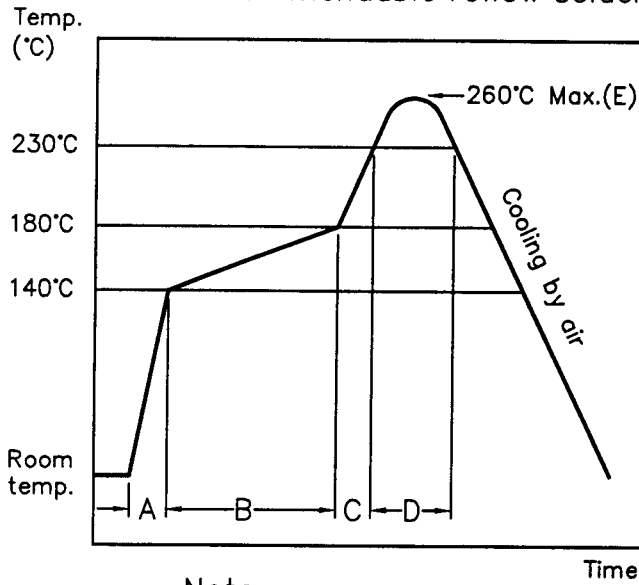


<b>OBO Pro.2</b>	<b>SPECIFICATIONS</b>	<b>MODEL NO.</b> OBO-30API
	<b>PART NAME</b> SMD-Electromagnetic Transducer	<b>SHEET</b> 4 OF 10

### 4. Soldering Condition :

#### 4.1 Reflow Soldering (※1)

Recommendable reflow soldering condition is as follows.



NO.	Items	Condition	Unit
A	Temp. rise gradient	1 ~ 4	°C/sec
B	Heating time	50~150	sec
	Heating temperature	140~180	°C
C	Temp. rise gradient	1 ~ 4	°C/sec
D	Time over 230°C	48 Max.	sec
E	Peak temperature	260°C Max.	°C
	Peak-temp. hold time	Momentary	sec
Soldering		2	times

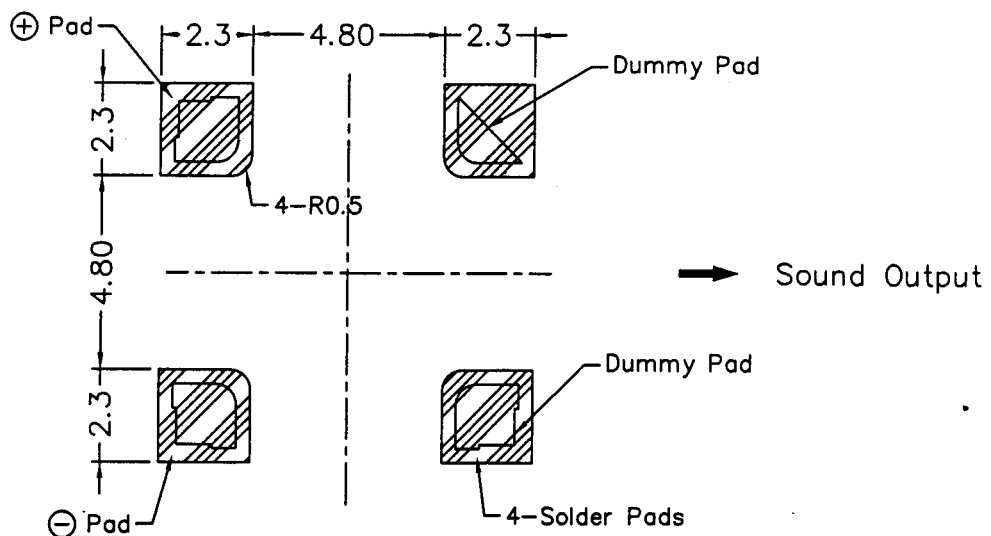
Note :

It is requested that second reflow soldering should be executed after heat of product goes down to normal temperature.

#### 4.2 Hand Soldering (※1)

Soldering iron temperature 380°C less than 3 second.

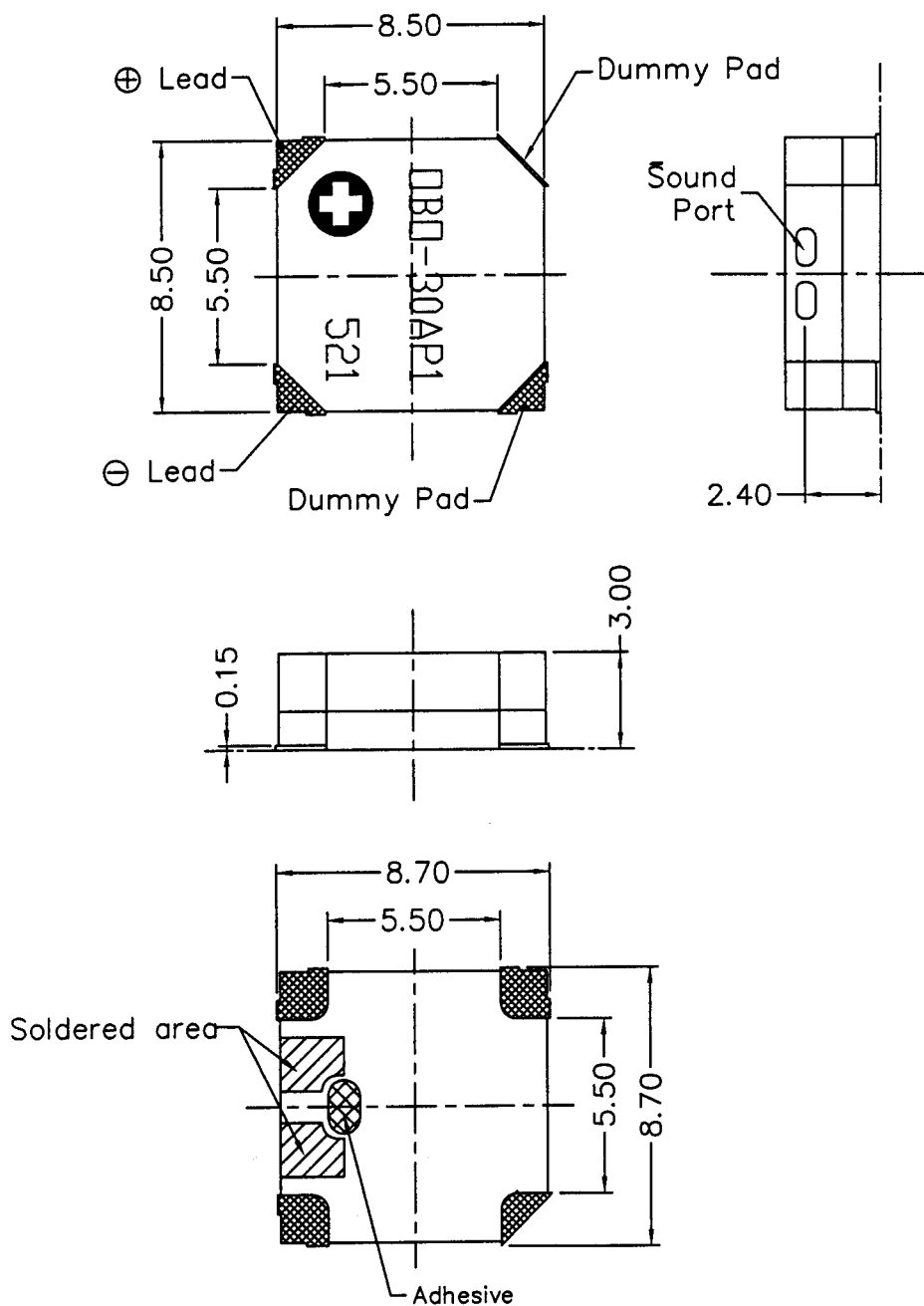
#### 4.3 Soldering Pattern



<b>OBO Pro.2</b>	<b>SPECIFICATIONS</b>	<b>MODEL NO.</b> OBO-30AP1
	PART NAME SMD-Electromagnetic Transducer	<b>SHEET</b> 5 OF 10

### 5. Mechanical Layout and Dimensions

Unit : mm    Tolerance :  $\pm 0.2\text{mm}$

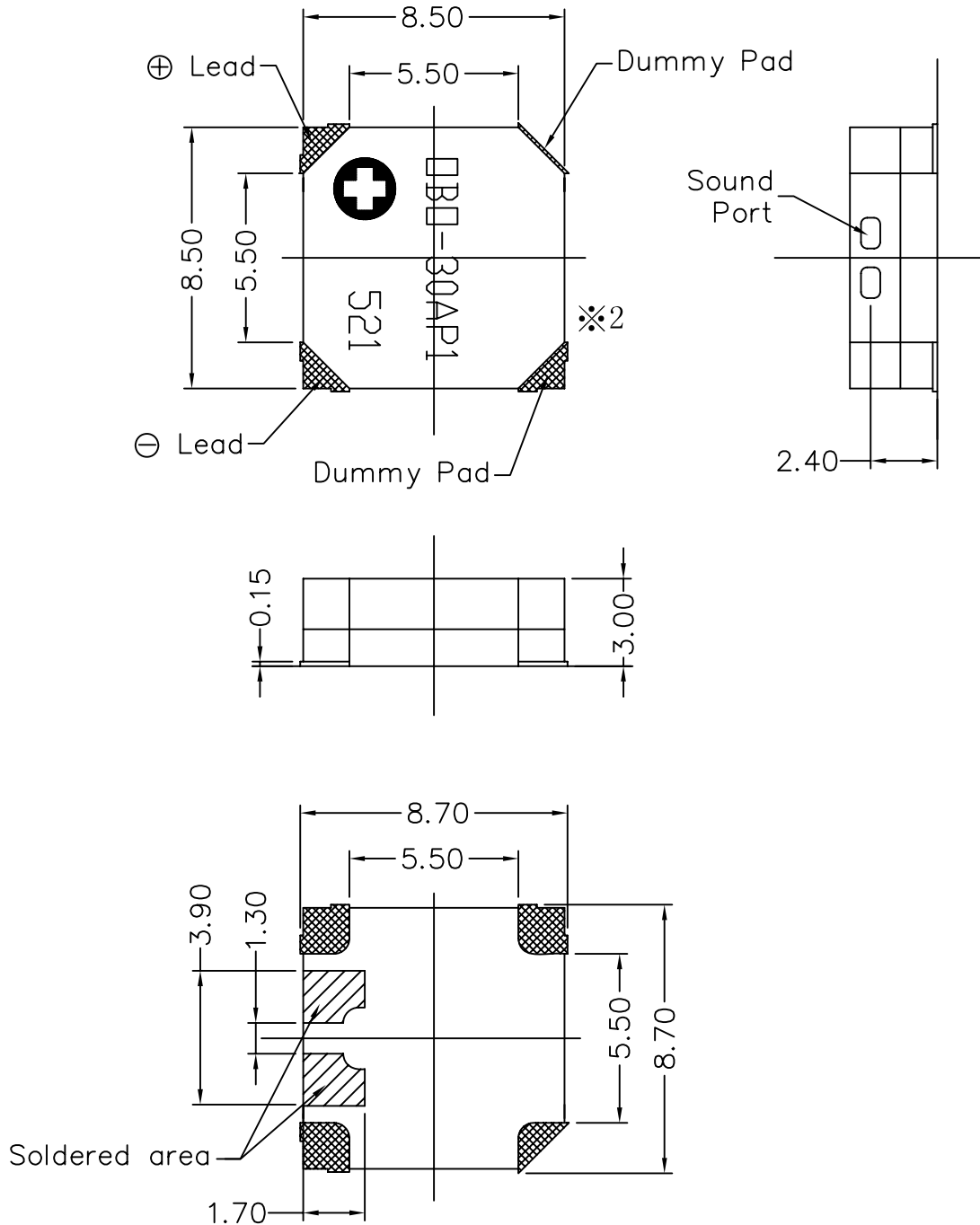


- Note :
- Meaning of Stamp Mark
  - 521 : Production Lot No.
  - 5 : Year 2005 (last 1 figures of the year)
  - 21 : week (01 ~55)
  - OBO-30AP1 : Model No.
  - ⊕ : Polarity identification mark

**Mechanical Layout and Dimensions :**

Dimensions

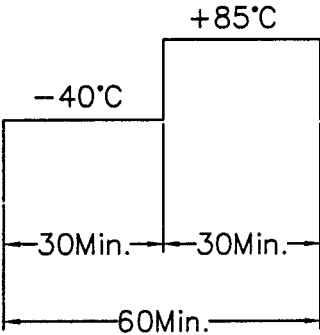
Tolerance:  $\pm 0.2\text{mm}$  Unit: mm



Note : Meaning of Stamp Mark  
 521 : Production Lot No.  
 5 : Year 2005 (last 5 figures of the year)  
 21 : week (01 ~55)  
 OBO-30AP1 : Model No.  
 ⊕ : Polarity identification mark

<b>OBO Pro.2</b>	<b>SPECIFICATIONS</b>	MODEL NO. OBO-30AP1
	PART NAME SMD-Electromagnetic Transducer	SHEET 6 OF 10

**6. Reliability test :**

NO.	Items	Test Conditions	Evaluation Criteria
6.1	High Temp. Storage	The part shall be capable of withstanding a storage temperature of +85°C for 240 hours.	After the test the part shall meet specifications without any degradation in appearance and performance except SPL. SPL shall be 80dB or more.
6.2	Low Temp. Storage	The part shall be capable of withstanding a storage temperature of -40°C for 240 hours.	
6.3	Thermal Shock	<p>The part shall be subjected to 50 cycle. One cycle shall consist of : transfer time : 10 minutes</p>  <p style="text-align: center;"> <span style="margin-right: 100px;">-40°C</span> <span>+85°C</span>  <span style="margin-right: 100px;">30Min.</span> <span>30Min.</span>  <span style="margin-right: 100px;">60Min.</span> </p>	
6.4	Humidity Test	The part shall be subjected to +60°C, 90% RH for 96 hours, and expose to room temperature for 6 hours.	
6.5	Vibration	10 – 55 – 10Hz, Sinewave Sweep 15 min. X,Y,Z 3 Direction 2 hours each, Total 6 hours.	
6.6	Drop test	Drop on hard wood board of 5cm. thick, any direction, 10 times, at the height of 75cm	

<b>OBO Pro.2</b>	<b>SPECIFICATIONS</b>	MODEL NO. OBO-30AP1
	PART NAME SMD-Electromagnetic Transducer	SHEET 7 OF 10

NO.	Items	Test Conditions	Evaluation Criteria
6.7	Ordinary Temp. life	The part shall be subjected to 240 hours at $25 \pm 10^\circ\text{C}$ . Input 3.0Vp-p Squarewave 1/2duty 2700Hz	
6.8	High Temp. life	The part shall be subjected to 240 hours at $+60^\circ\text{C}$ . Input 3.0Vp-p Squarewave 1/2duty 2700Hz	
6.9	Low Temp. life	The part shall be subjected to 240 hours at $-20^\circ\text{C}$ . Input 3.0Vp-p Squarewave 1/2duty 2700Hz	
6.10	Reflow (*1)		<p>a. No abnormality should be found after the test</p> <p>b. Good soldering to meet soldering requirements</p>

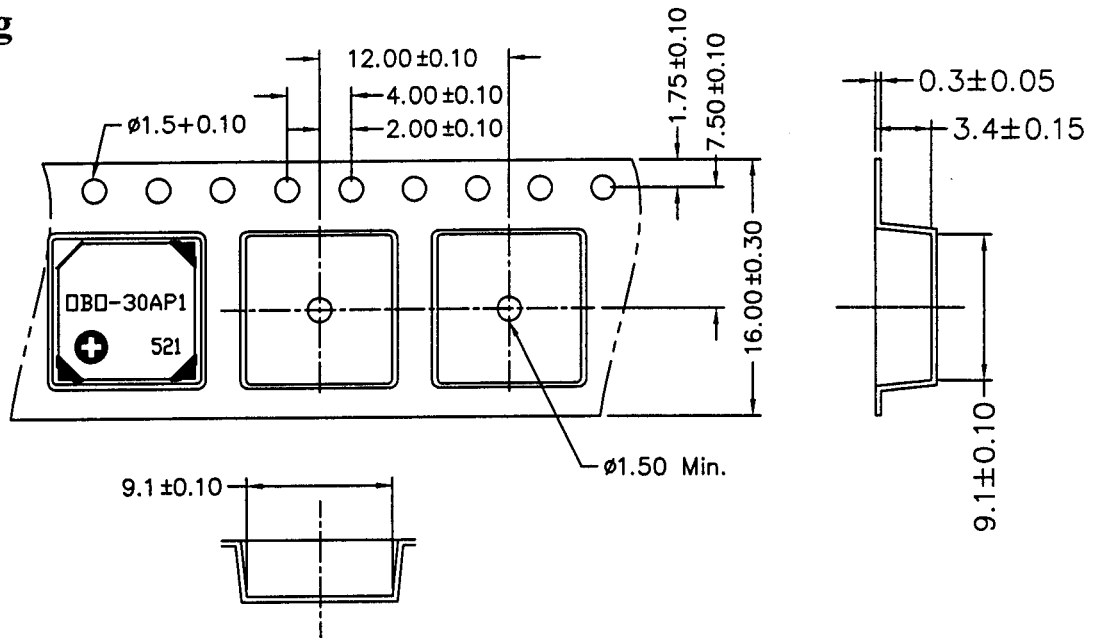
Notes :

As this product is not protected from foreign material entering, please make sure that that any foreign materials (e.g. magnetic powder, washing solvent, flux, corrosive gas) do not enter this product in your production processes. The functional degradation (e.g. SPL down ) may occur if foreign material enter it.

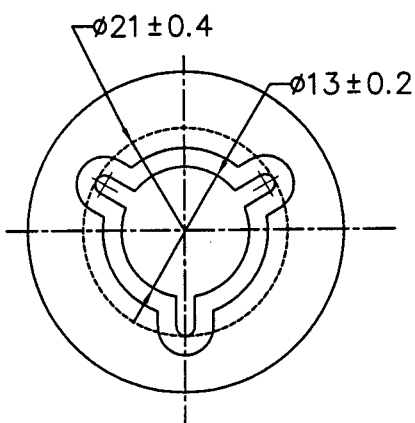


<b>OBO Pro.2</b>	<b>SPECIFICATIONS</b>	<b>MODEL NO.</b> OBO-30AP1
	<b>PART NAME</b> SMD-Electromagnetic Transducer	<b>SHEET</b> 8 OF 10

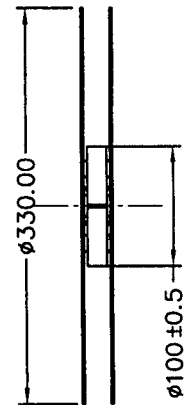
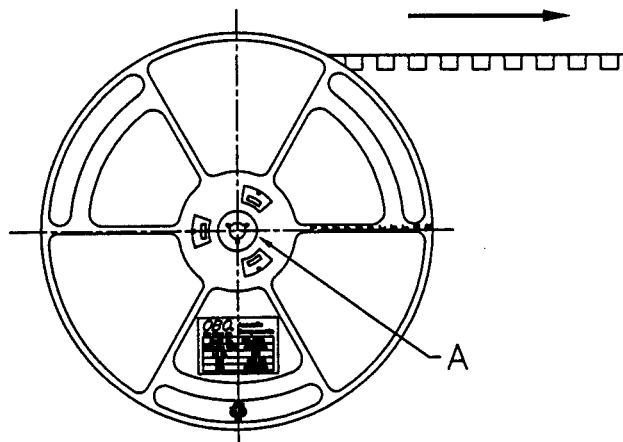
7. Packing



Tapping Direction



DETAIL : A  
SCALE 8 : 1

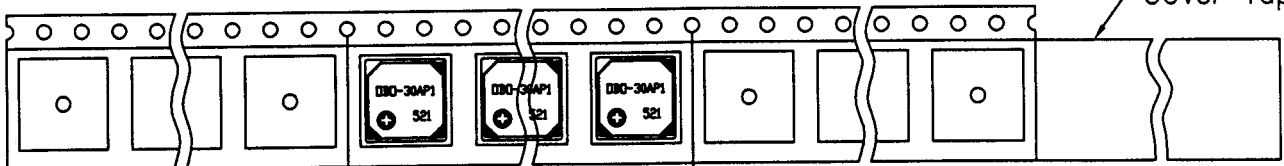


22.4 Max.

16.4+0.20

End

TOP  
Cover Tape



No Components  
160m/m (14pcs)min

Components

No Components  
390m/m (33pcs)min

Start

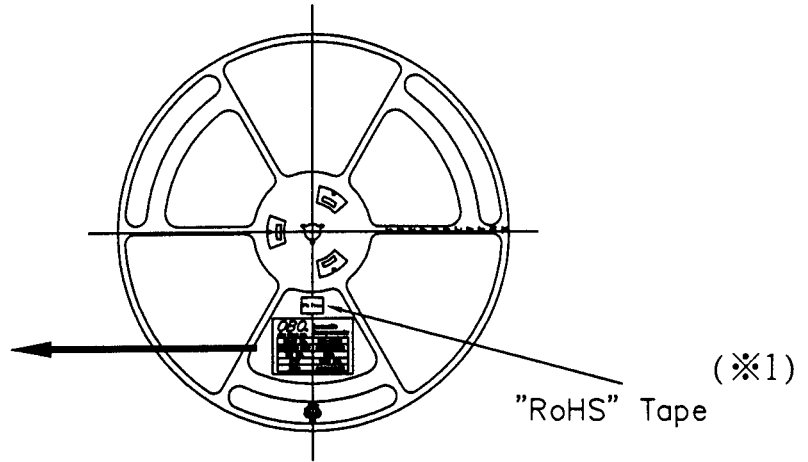
Empty component  
pockets sealed  
with cover tape

User Direction of Feed

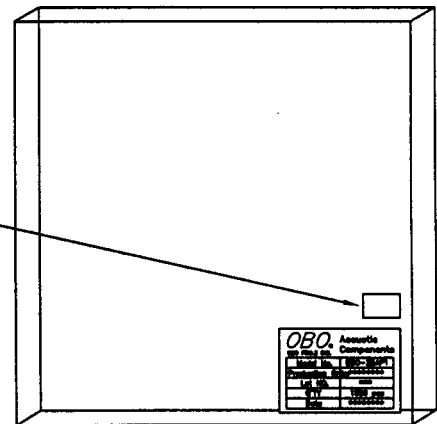
<b>OBO Pro.2</b>	<b>SPECIFICATIONS</b>	<b>MODEL NO.</b> OBO-30AP1
	<b>PART NAME</b> SMD-Electromagnetic Transducer	<b>SHEET</b> 9 OF 10

Label content

<b>OBO</b> Acoustic Components OBO PRO.2 INC.	
Model No.	OBO-30AP1
Production Order	*****
Lot NO.	***
Q'TY	1500 pcs
Date	*****



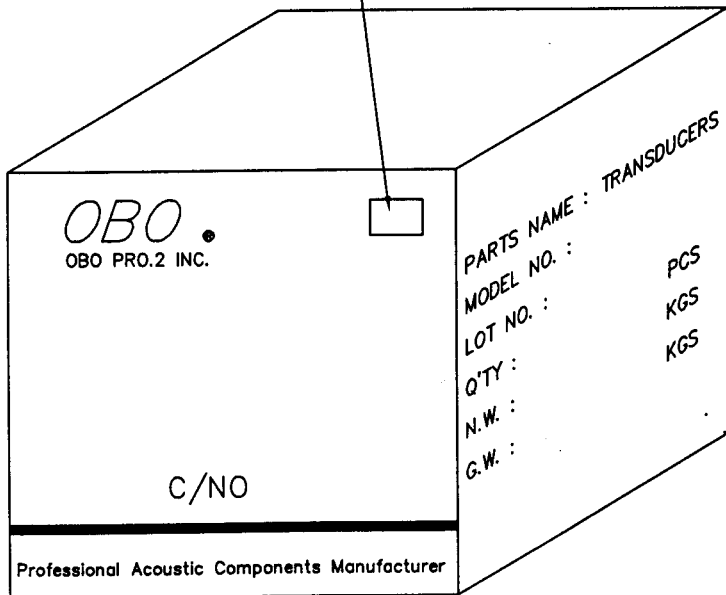
Inside box



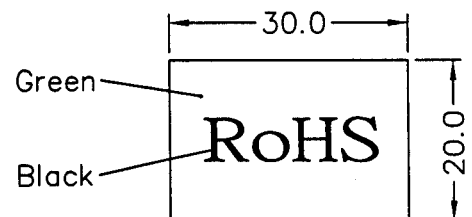
1 Reel / Inside box  
(33.3\*2.4\*33.5)

"RoHS" Tape (※1)

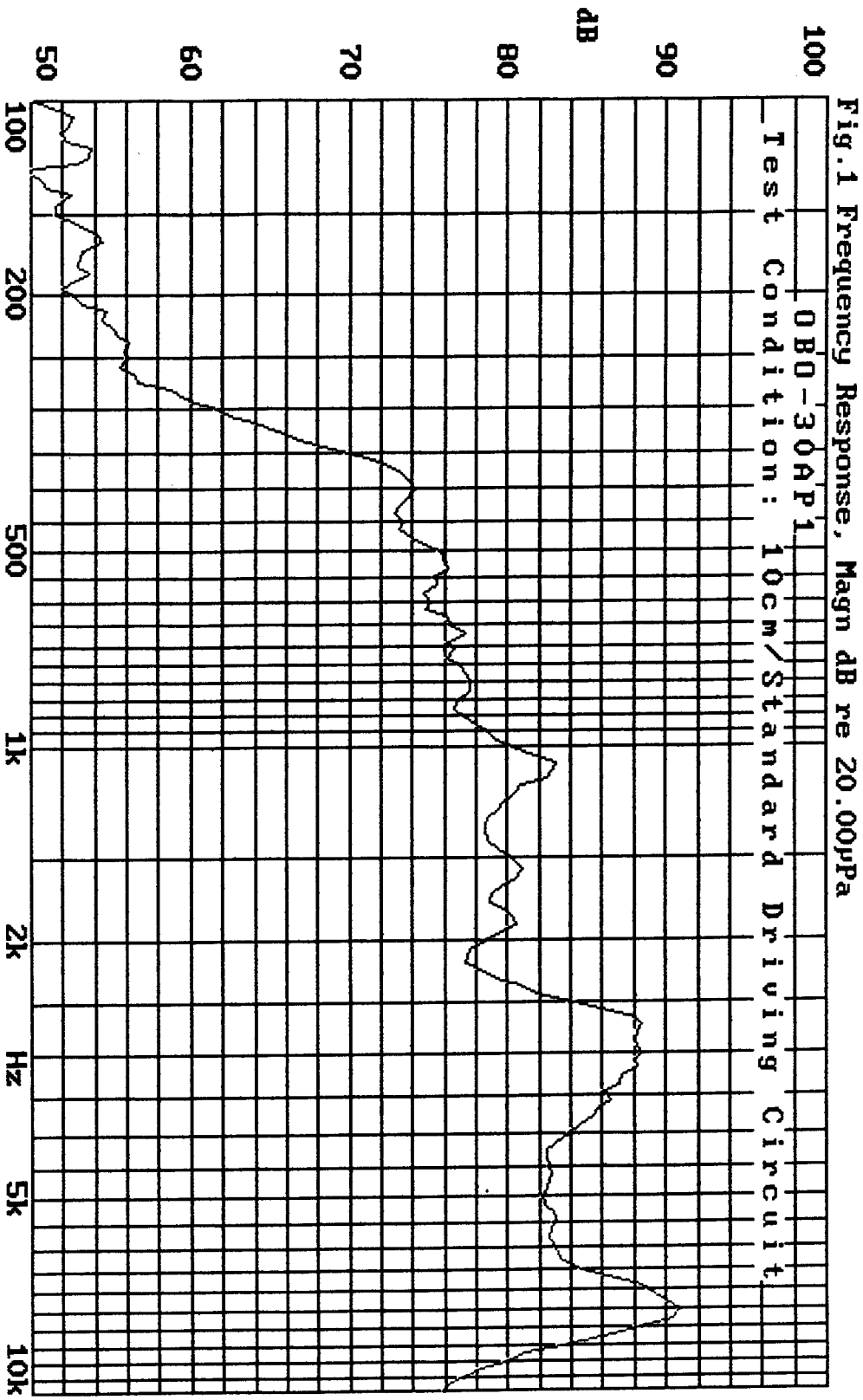
Carton



10 Inside box (15000pcs)  
/ Carton (34.5\*26.5\*35.3)



RoHS Tape  
(30\*20 mm)(※1)



02-APR-2002 16:44:50

Mode: SSR

