



SPECIFICATIONS

MODEL NO
OBO-30008G-0101

PART NAME
DYNAMIC SPEAKER

SHEET
2 OF 5

MODEL NO : OBO-OBO-30008G-0101

Features:Conformity RoHS Directive(2002/95/EC) Requests.

1. General Specifications

Items	Spec.
Magnet	Materials Rare Earth Size: $\Phi 9.5 \times 1.5 \text{mm}$
Weight	Approx 3.4 Gram
Nominal Impedance	8 Ohm $\pm 15\%$ At 1400 Hz
Power Rating	Normal 0.1 W. Maximum 0.2W.
Lowest Resond Frequency	550 $\pm 150 \text{Hz}$
Output Sound Pressure Level (S.P.L)	76 $\pm 3 \text{ dB}/0.1 \text{W}/0.5 \text{M}$ Average at 1000,1200,1500,2000Hz.
Frequency Response Range	400 ~ 6500 Hz. Average SPL -10dB.
Distortion	10% Maximum at 1000Hz/0.1W
Abnormal Sound Test	Must be Normal Tested by 0.89Volts. Sine Wave.
Polarity	Diaphragm shall move Forward when Apply a Positive DC Current to the "+" or "Marked" Terminal.
Operating Temperature	-25 $^{\circ}\text{C}$ To +50 $^{\circ}\text{C}$
Storage Temperature	-25 $^{\circ}\text{C}$ To +55 $^{\circ}\text{C}$

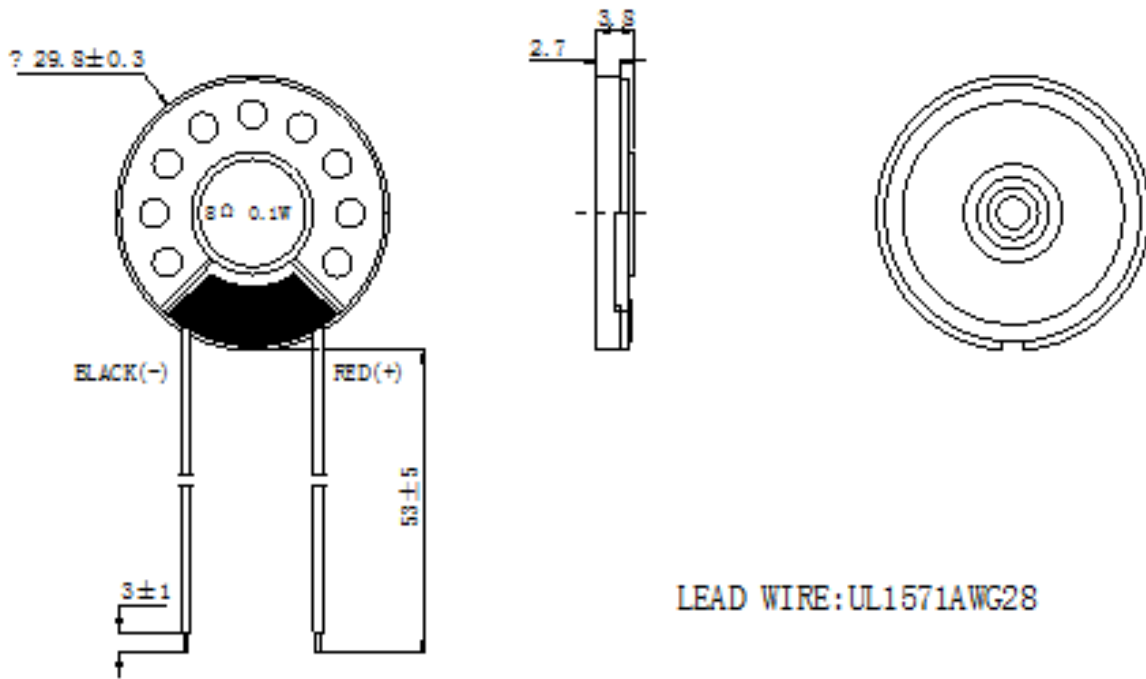
2. Environmental Test

Humidity Test	Temperature: +40 $^{\circ}\text{C} \pm 3^{\circ}\text{C}$ Relative Humidity: 90% ~ 95% Duration: 96 Hours Duration of recovery: 6 Hours	
Temperature Cycle Test	Low Temperature: -25 $^{\circ}\text{C} \pm 3^{\circ}\text{C}$ High Temperature: +55 $^{\circ}\text{C} \pm 3^{\circ}\text{C}$ Duration of recovery: 1 Hours Duration of Transfer Time: Less Than 5 to 7Minutes Cycle: 3 Cycles	<p>The graph illustrates a temperature cycle test. It shows a temperature profile that alternates between a high temperature of +55°C and a low temperature of -25°C. Each temperature level is held for 1 hour. The transition between temperatures is labeled as 5~7 minutes. The entire sequence of heating, dwell, cooling, dwell, and heating is labeled as 1 Cycle.</p>
Vibration Test	Vibration Direction: 3 axes Mounting: Unit Shall Be Rigidly Restrained On The Table Frequency: 1,000 Cycle/Minute Amplitude: 1.5m/m Endurance: 1 Hour in Each Plane Duration of Transfer Time: Less Than 5Minutes	
Load Test	White Noise With Weighted Filter 0.89Volts.(RMS) 96 Hrs. 20~20,000Hz Resonant Frequency.	
Drop Test	Drop the speakers contained in normal box onto the board 40mm thick 10 times from the height of 75cm .	

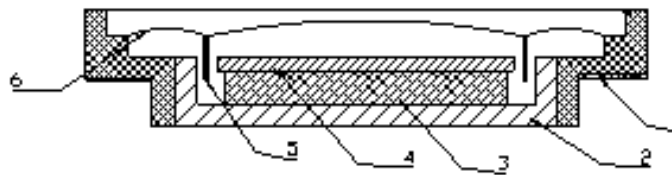
3. Mechanical Layout And Dimensions

3.1 Dimensions

Unit:mm Tolerance:±0.5



3.2 Construction Diagram

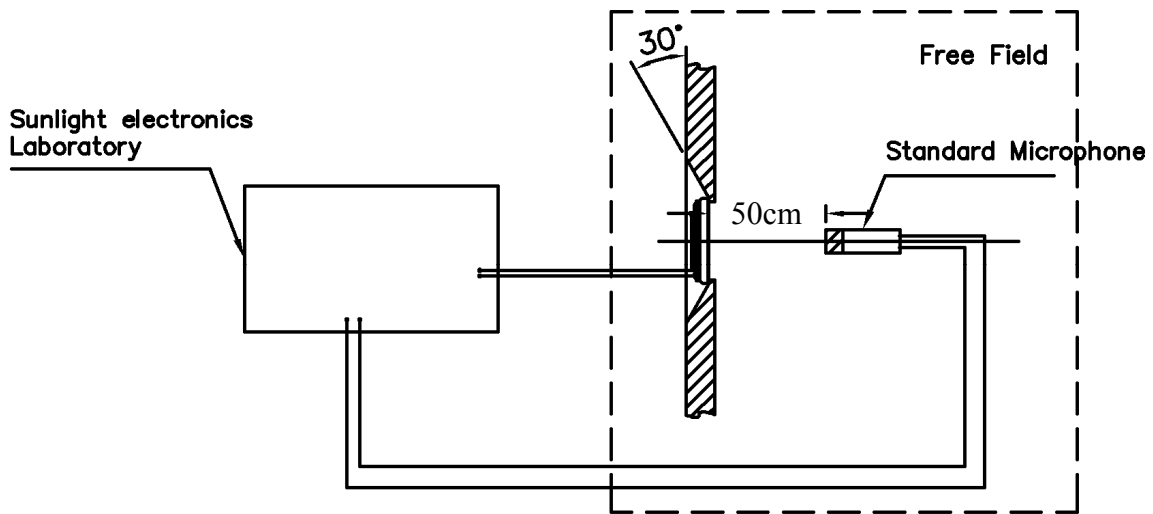


10			
9			
8			
7			
6	DIAPHRAGM	MYLAR	1
5	VOICE COIL	10.3mm	1
4	WASHER	SPCC	1
3	MAGNET	NdFeB	1
2	YOKE	ABS	1
1	TERMINAL	P.C B	1
NO	PART NAME	MATERIAL	Q'TY

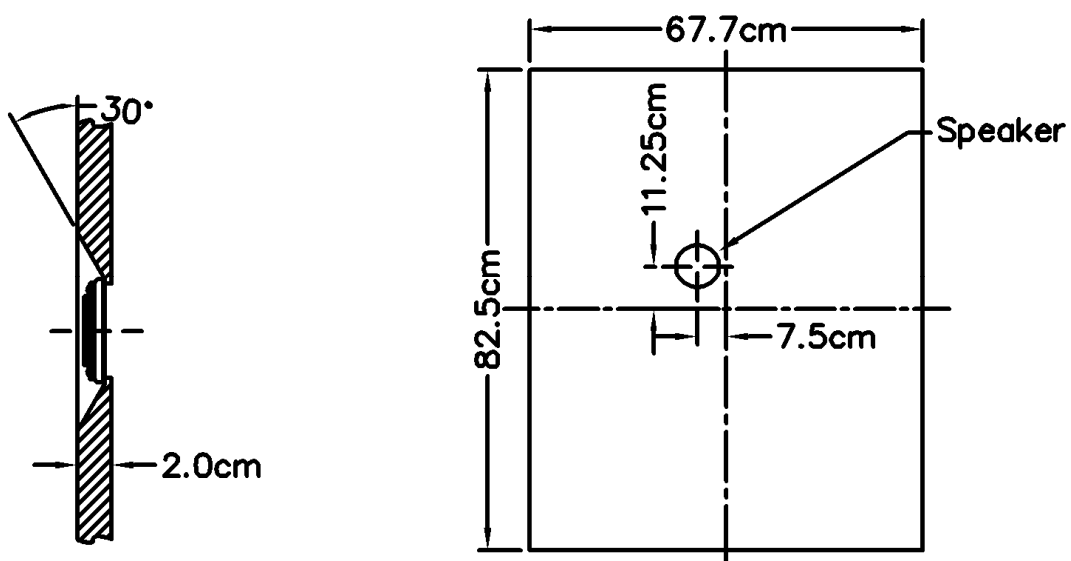
4. Test Method

4.1 Measurement Diagram

Electroacoustic
Testing Adapter



4.2 Standard Baffle





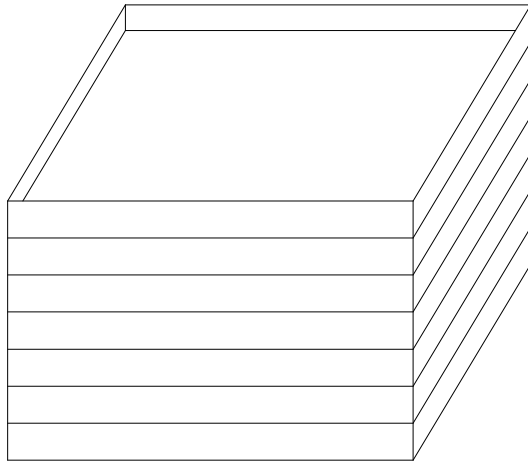
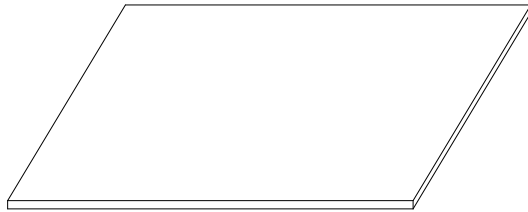
SPECIFICATIONS

MODEL NO
OBO-30008G-0101

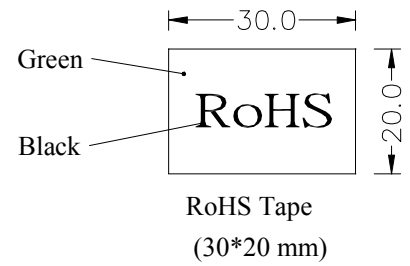
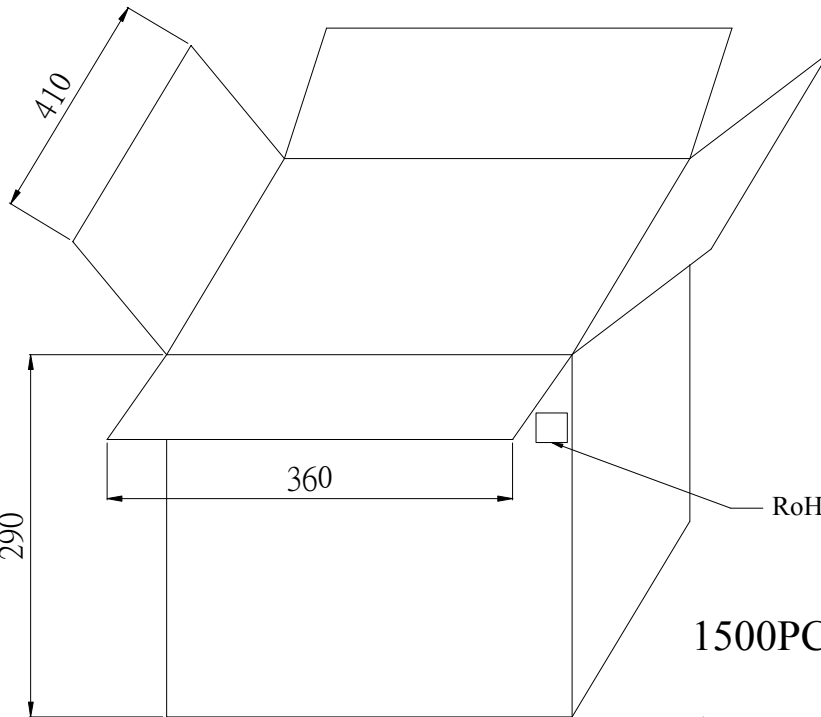
PART NAME
DYNAMIC SPEAKER

SHEET
5 OF 5

5.Packing



100Pcs/Tray



RoHS Tape
(30*20 mm)

1500PCS/Carton

15Tray (290*360*410)