

OBO.Pro.2

SPECIFICATIONS

MODEL NO.
OBO-27246

PART NAME
Piezoelectric Buzzer

SHEET
1 OF 5

ALTERNATION HISTORY

Marking	Date	ECN NO.	REV.	Description	Page	PREPARE BY	APPROVE BY
△	NOV,16'04	DG0410001	H	Pb-free Soldering	5	PHOENIX	

OBO PRO.2 INC.
19 NOV 2004
文件发行章

REV.	DATE	PREPARED BY	CHECKED BY	APPROVED BY
H	NOV,16'2004	朱凤基 11/16'04	何江明 11/17	李海连 11/17

OBO.Pro.2.**SPECIFICATIONS**MODEL NO.
OBO-27246PART NAME
Piezoelectric BuzzerSHEET
2 OF 5

Model No. : OBO-27246

OBO PRO.2INC.

19 NOV 2004

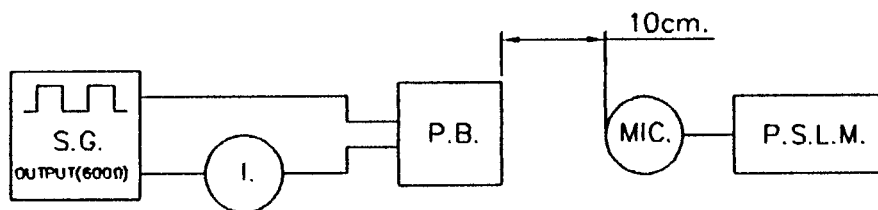
Features : External drive & Pb-free Soldering Type 零件发行章

1. General Requirements

Items	Spec.
Sound Pressure Level	90dB Min. at 4.4KHz/9Vp-p Square Wave/10cm.
	80dB Min. at 4.4KHz/1Vrms Sine Wave/10cm.
Capacitance	20,000pF \pm 30% at 120Hz
Current Consumption	4mA Max. at 4.4KHz/9Vp-p Square Wave
Allowable Input Voltage	30Vp-p Max.
Case Material	ABS (UL 94HB)
Operating Temp. Range	-20°C to +60°C
Storage Temp. Range	-30°C to +70°C
Weight	4.3 gms
Frequency Response	As Per Fig.1

2. Test Method

2.1 Standard Test Diagram



- S.G. : GAG-808G Audio Generator or Equivalent
 MIC. : B&K-4176 Micphone or Equivalent
 P.S.L.M. : B&K-2232 Precision Sound Level Meter or Equivalent
 I. : GDM-8145 Multimeter or Equivalent
 P.B. : Piezoelectric Buzzer

Note: Please pay attention never to be applied DC voltage to piezo sounder

OBO Pro.2

SPECIFICATIONS

MODEL NO.
OBO-27246

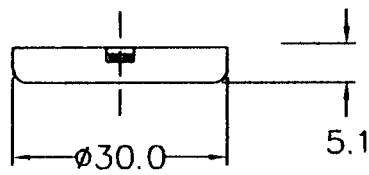
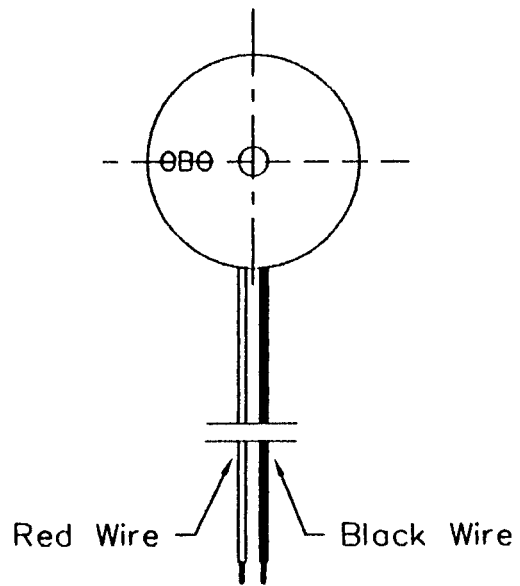
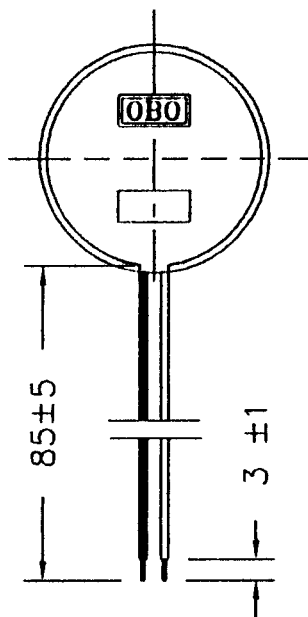
PART NAME
Piezoelectric Buzzer

SHEET
3 OF 5

OBO PRO.2INC.
19 NOV 2004
文件发行章
Tolerance : 10.5

3. Appearance and Dimensions

Unit : mm



Customer	Lead Wire
Standard	UL1095#28

OBO Pro.2

SPECIFICATIONS

MODEL NO.
OBO-27246

PART NAME
Piezoelectric Buzzer

SHEET
4 OF 5

4. Soldering condition

4.1 Hand soldering / touchup

soldering iron tip temperature 380 °C for 3 seconds.

OBO PRO.2 INC.

19 NOV 2004

文件发行章

5. Package



Buzzer

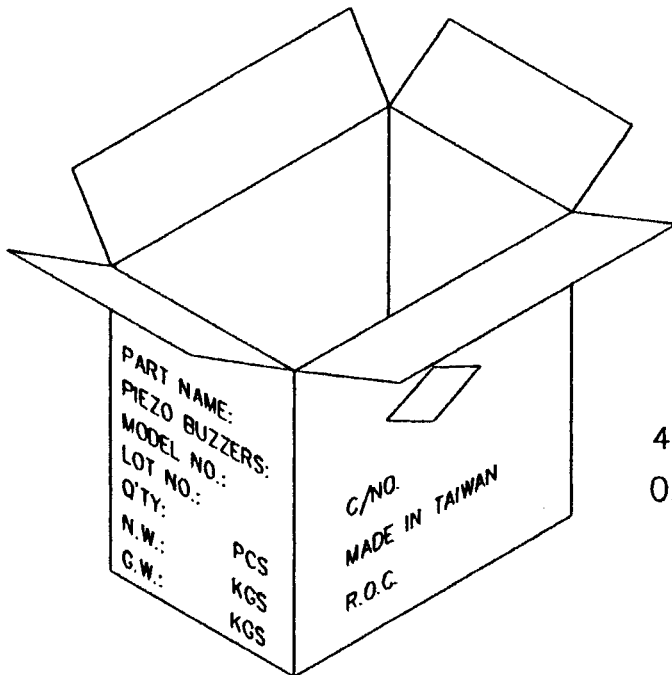
OBO PRO.2 INC.

MODEL NO.	
LOT NO.	
QUANTITY	
DATE	

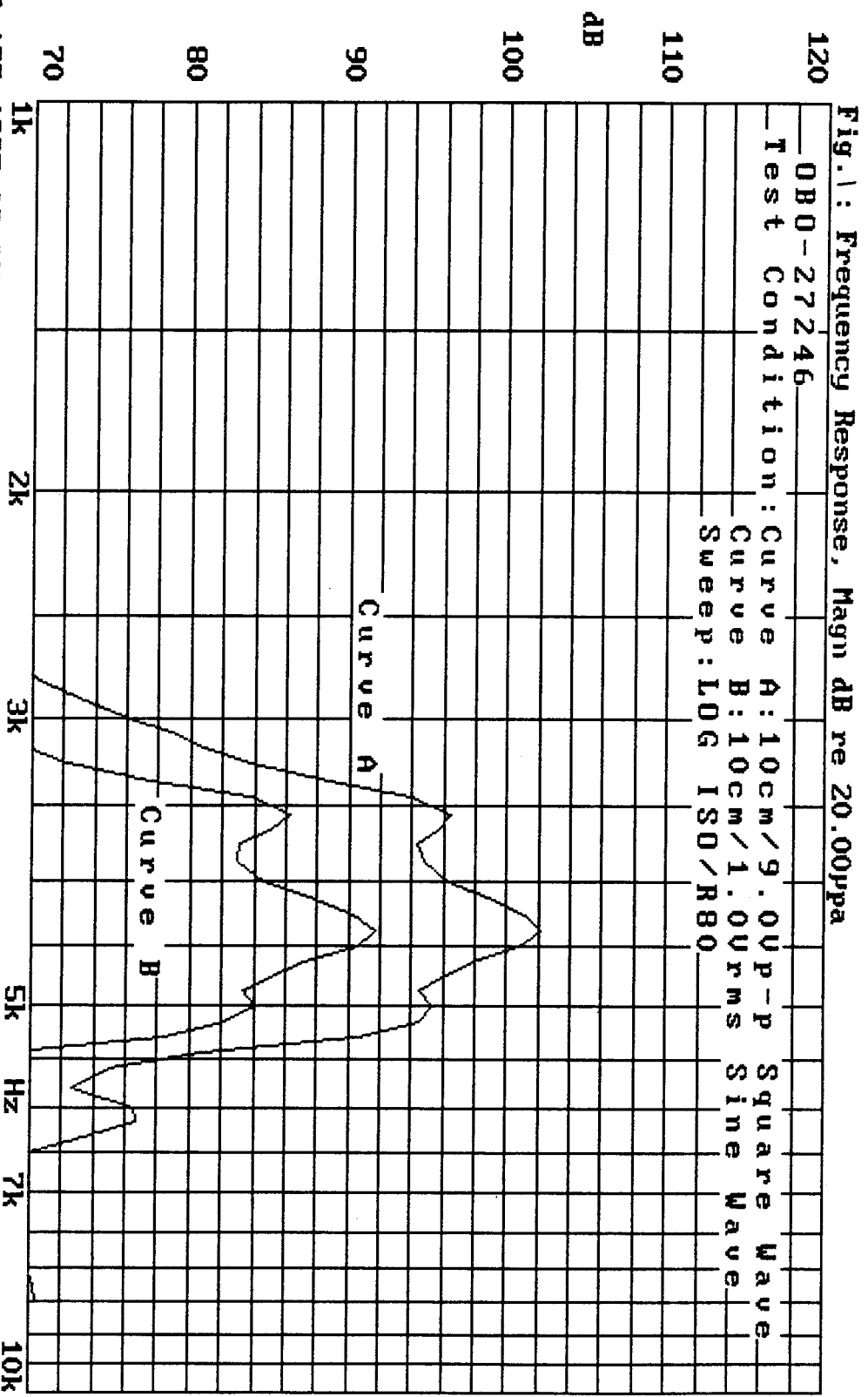
50pcs / Label
(80*50*0.08mm)



50pcs/ PE Bag
(220*155*0.05mm)



40 Bag(2,000pcs)/ Carton
0.96 呎(352*233*336mm)



22-APR-1997 09:25:16

Mode: SSR

