



SPECIFICATIONS

MODEL NO
OBO-23032F-01

PART NAME
DYNAMIC SPEAKER

OBS PRO.2 INC.
1 OF 5
2012 FEB 09

ALTERNATION HISTORY

文件发行章

Marking	Date	ECN NO.	REV.	Description	Page	PREPARE	APPROVE
						BY	BY
※1	JUL.22,2006	DG0607010	D	Change to ROHS Type	6	蔡愛國	謝明福
※2	FEB.02,2012	DG1112007	E	Change Materials	5	陆志眉	Joyce

REV.	DATE	PREPARED BY	CHECKED BY	APPROVED BY
E	FEB.02,2012	陆志眉	王宏伟	Joyce



SPECIFICATIONS

MODEL NO
OBO-23032F-01

PART NAME
DYNAMIC SPEAKER

SHEET
OBO PRO 2 OF 6 .2 INC.

2012 FEB 09

文件发行章

MODEL NO : OBO-23032F-01

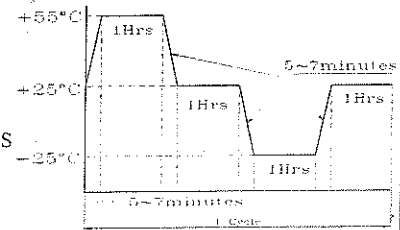
※1 Features:Conformity RoHS Directive(2002/95/EC) Requests.

1. General Specifications

Items	Spec.
Magnet	Materials NDFEB Size: $\Phi 8.0 \times 1.5\text{mm}$
Weight	Approx 3.1 Grams
Nominal Impedance	32 Ohm $\pm 15\%$ At 1000Hz/1.0V
Power Rating	Normal 0.2W. Maximum 0.5W.
Lowest Resonant Frequency	900 $\pm 150\text{Hz}$.
Output Sound Pressure Level (S.P.L)	83 $\pm 3\text{dB}$ /0.2W/0.5Meter Average at 1000,1200,1500 ,2000Hz.
Frequency Range	450 ~ 6,500Hz. Average SPL -10dB.
Distortion	5% Maximum At 1200Hz 0.2W
Abnormal Sound Test	Must be Normal Tested by 2.53Volts. Sine Wave.
Polarity	Diaphragm shall move Forward when Apply a Positive DC Current to the "+" or "Marked" Terminal.
Operating Temperature	-25 $^{\circ}\text{C}$ to +50 $^{\circ}\text{C}$
Storage Temperature	-25 $^{\circ}\text{C}$ to +55 $^{\circ}\text{C}$

2. Environmental Test

Humidity Test	Temperature: +40 $^{\circ}\text{C} \pm 3^{\circ}\text{C}$ Relative Humidity: 90% ~ 95% Duration: 96 Hours Duration of recovery: 6 Hours
Temperature Cycle Test	High Temperature: +55 $^{\circ}\text{C} \pm 3^{\circ}\text{C}$ Low Temperature: -25 $^{\circ}\text{C} \pm 3^{\circ}\text{C}$ Duration of Exposure: 1Hour Duration of Transfer Time: Less Than 5 to 7Minutes Cycle: 3 Cycles Duration of recovery: 1 Hours
Vibration Test	Vibration Direction: 3 axes Mounting: Unit Shall Be Rigidly Restrained On The Table Frequency: 1,000 Cycle/Minute Amplitude: 1.5m/m Endurance: 1 Hour in Each Plane Duration of Transfer Time: Less Than 5Minutes
Load Test	White Noise With Weighted Filter 2.53Volts.(RMS) 100 Hrs. 20~20,000Hz Resonant Frequency.
Drop Test	75cm Free Falling On Counter Floor ,10 Times
Salt Brume Test	NaCl liquor Concentration 5% PH=6.7~7.2 12Hours

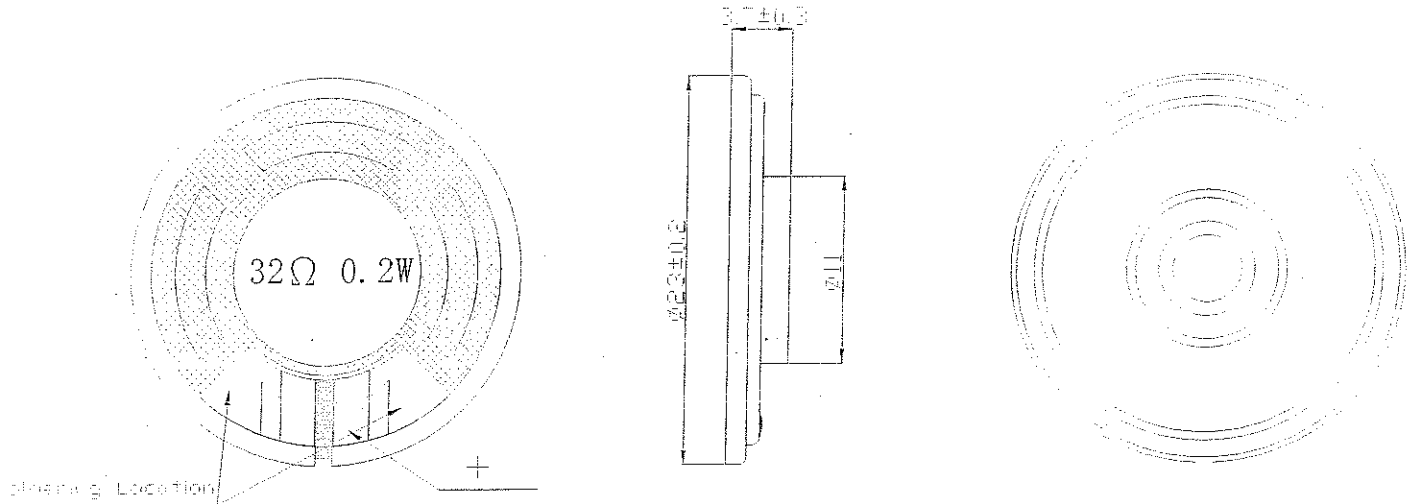


3. Mechanical Layout And Dimensions

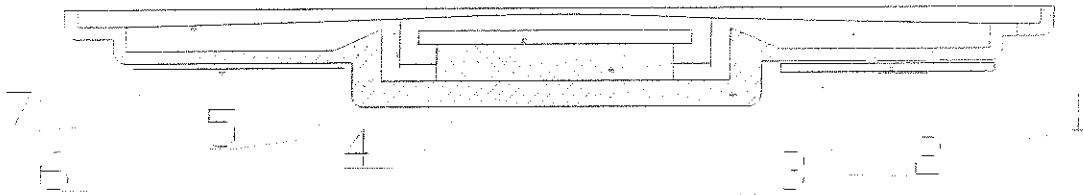
※2

3.1 Dimensions

Unit: mm Tol: ±0.5



3.2 Construction Diagram

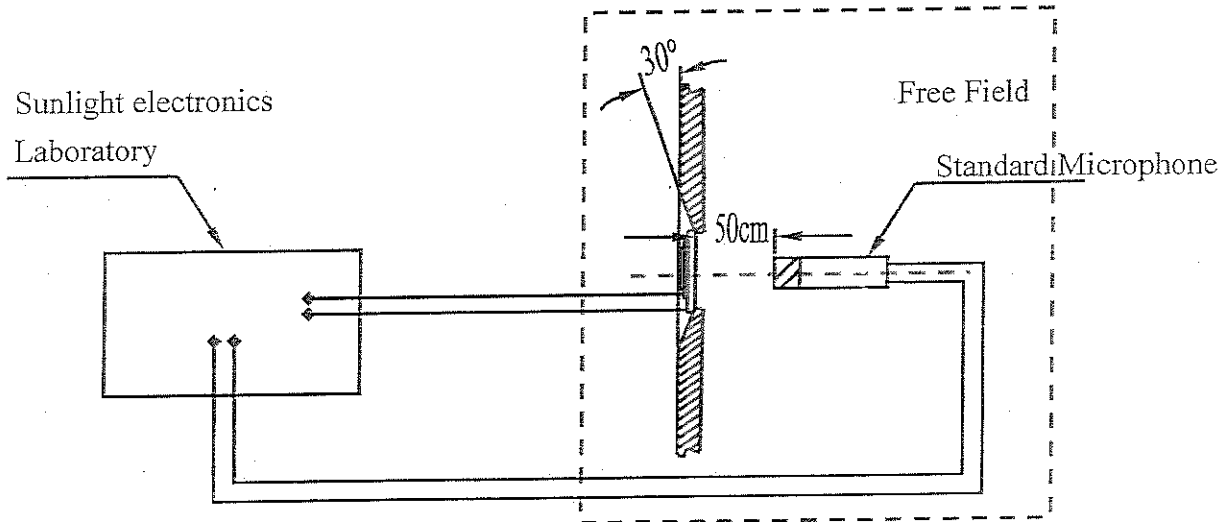


10			
9			
8			
7	DIAPHRAGM	MYLAR	1
6	CLOTH	CLOTH	1
5	VOICE COIL	DIA 8.8mm	1
4	WASHER	SPCC	1
3	MAGNET	NdFeB	1
2	YOKE	SPCC	1
1	TERMINAL	P.C.B	1
NO	PART NAME	MATERIAL	QTY

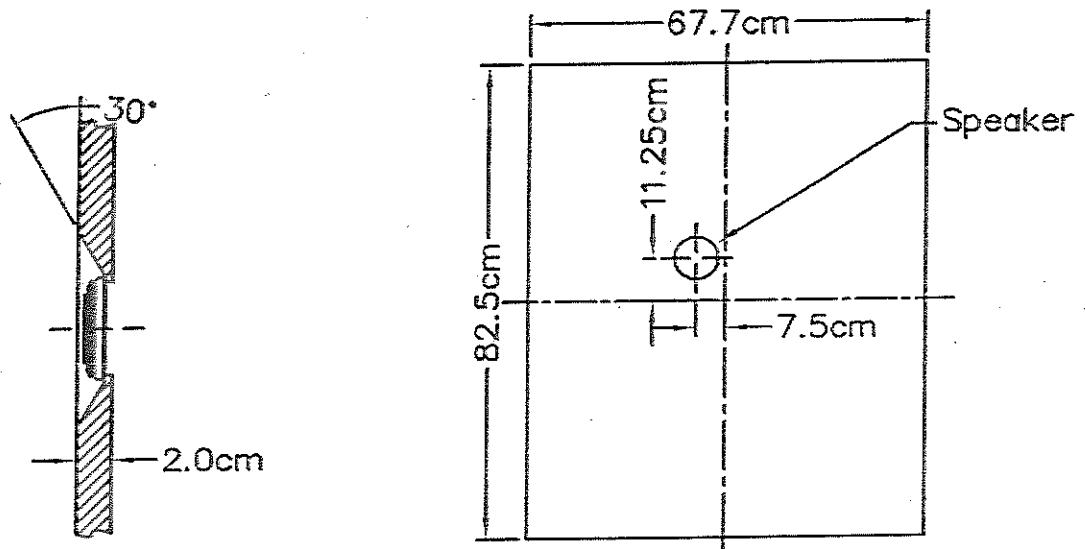
4. Test Method

4.1 Measurement Diagram

Electroacoustic
Testing Adapter



4.2 Standard Baffle





SPECIFICATIONS

MODEL NO
OBO-23032F-01

PART NAME
DYNAMIC SPEAKER

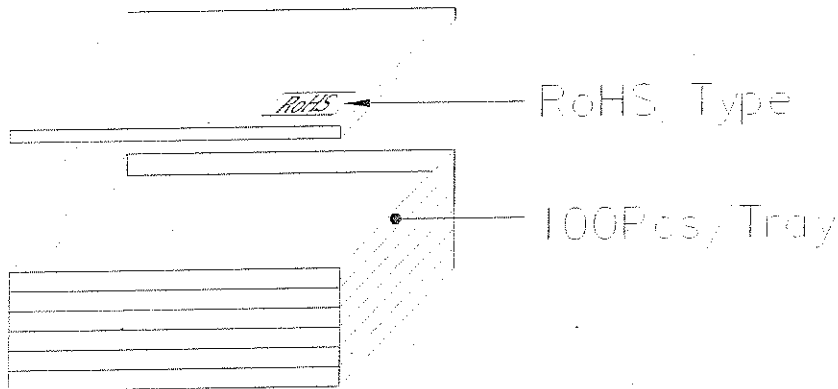
SHEET

OBO AUDIO 2 INC.

2012 FEB 09

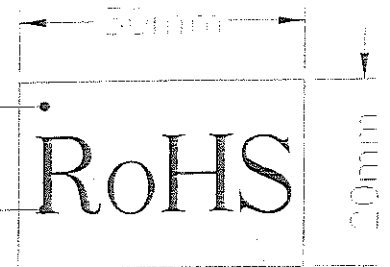
文件发行章

5.Packing

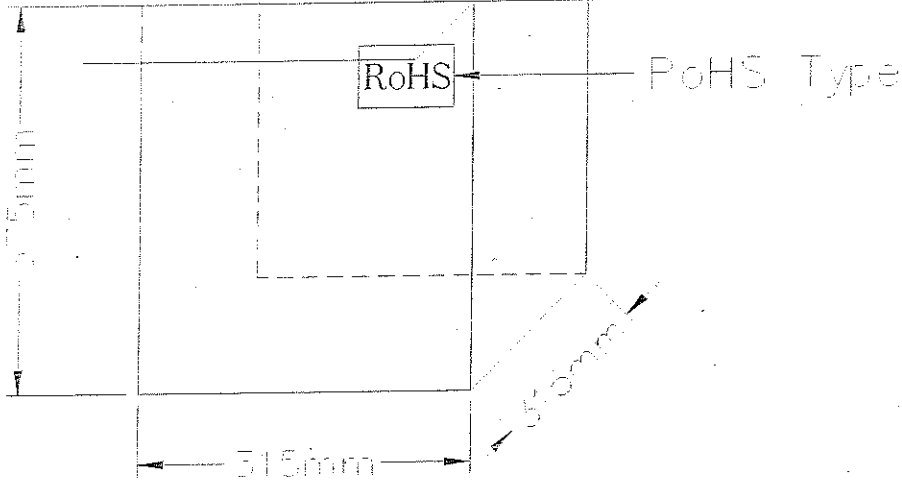


Green

Black



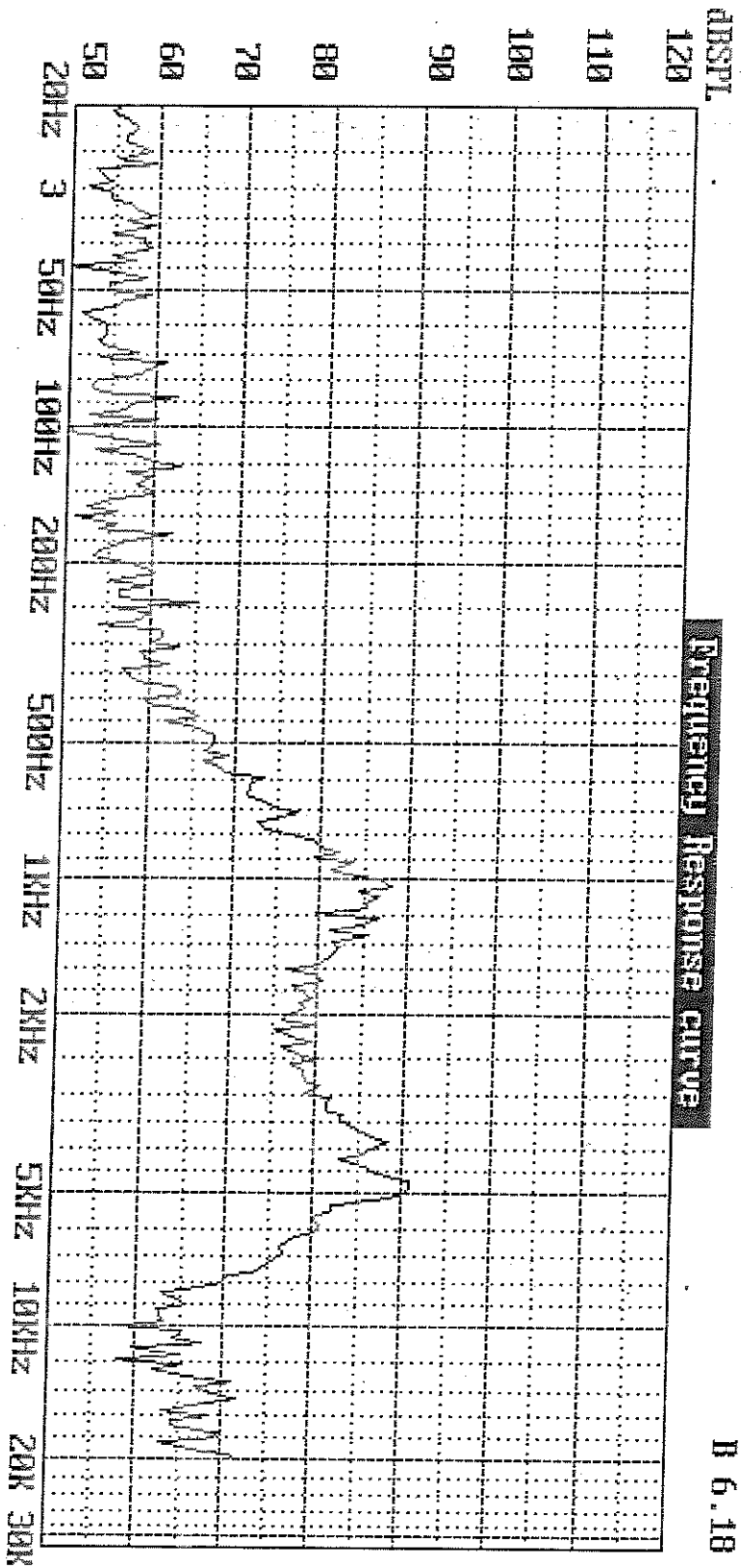
RoHS Type
(50*20)



2000Pcs/Carton

20Tray(315*315*375mm)

Firm: Model: DATE: 02-02-2012 TIME: 08:32:26
 1000Hz Sens. = 75.9dB SPL Pass F.R.: Pass DCR: 32.4n Pass
 Average SPL: 01.0dB SPL Pass (1000;1200;1500; 2000Hz) Sweep Speed: 1/24 Oct.



Voltage applied for F.R. = 2.530V
 Measuring Distance = 0.50M

Start F. = 20Hz
 Stop F. = 20000Hz

Mfg.:

Measured using Sunlight 1600; Fax: 886-2-22230727