



# SPECIFICATIONS

MODEL NO

OBO-23008F-01

PART NAME  
DYNAMIC SPEAKER

SHEET

70/55

文件发行章

## ALTERNATION HISTORY

Marking	Date	ECN NO.	REV.	Description	Page	PREPARE BY	APPROVE BY
※1	JUL,19,2006	DG0607009	E	Change to ROHS Type	5	蔡愛國	
※2	APR.18,2016	DG1603011	F	Change the packing	5	曾振輝	林連宏

REV.	DATE	PREPARED BY	CHECKED BY	APPROVED BY
F	APR.18,2016	曾振輝	林	林連宏



# SPECIFICATIONS

PART NAME  
DYNAMIC SPEAKER

MODEL NO.  
OBO-23008F-01  
SHEET  
文件发行章

MODEL NO : OBO-23008F-01

Features:Conformity RoHS Directive(2002/95/EC) Requests.

## 1. General Specifications

Items	Spec.
Magnet	Materials NdFeB Size: $\Phi 8.0 \times 1.5\text{mm}$
Weight	Approx 3.1Grams
Nominal Impedance	8 Ohm $\pm 15\%$ At 1000 Hz /1.0V
Power Rating	Normal 0.2W. Maximum 0.5W.
Lowest Resonant Frequency	750 $\pm 150\text{Hz}$ .
Output Sound Pressure Level (S.P.L)	82 $\pm 3\text{dB}$ /0.2W/0.5Meter Average at 1000,1200,1500,2000Hz.
Frequency Range	550 ~ 6000 Hz. Average SPL -10dB.
Distortion	5% Maximum At 1000Hz/ 0.2W
Abnormal Sound Test	Must be Normal Tested by 1.26Volts. Sine Wave.
Polarity	Diaphragm shall move Forward when Apply a Positive DC Current to the "+" or "Marked" Terminal.
Operating Temperature	-25 $^{\circ}\text{C}$ to +50 $^{\circ}\text{C}$
Storage Temperature	-25 $^{\circ}\text{C}$ to +55 $^{\circ}\text{C}$

## 2. Environmental Test

Humidity Test	Temperature:	+40 $^{\circ}\text{C} \pm 3^{\circ}\text{C}$
	Relative Humidity:	90% ~ 95%
	Duration:	96 Hours
	Duration of recovery:	6 Hours
Temperature Cycle Test	Temperature:	+55 $^{\circ}\text{C} \rightarrow +25^{\circ}\text{C} \rightarrow -25^{\circ}\text{C} \rightarrow +25^{\circ}\text{C}$
	Duration:	1 Hour 1Hour 1Hour 1Hour
	Cycle:	3 Cycles
Vibration Test	Vibration Direction:	3 axes
	Mounting:	Unit Shall Be Rigidly Restrained On The Table
	Frequency:	1,000 Cycle/Minute
	Amplitude:	1.5m/m
	Endurance:	1 Hour in Each Plane
	Duration of Transfer Time:	Less Than 5Minutes
Load Test	White Noise With Weighted Filter 1.26Volts.(RMS) 100 Hrs. 20~20,000Hz Resonant Frequency.	
Drop Test	75cm Free Falling On Concrete Floor, with 10 times.	



SPECIFICATIONS

PART NAME  
DYNAMIC SPEAKER

MODEL NO

OBO-23008-101

SHEET

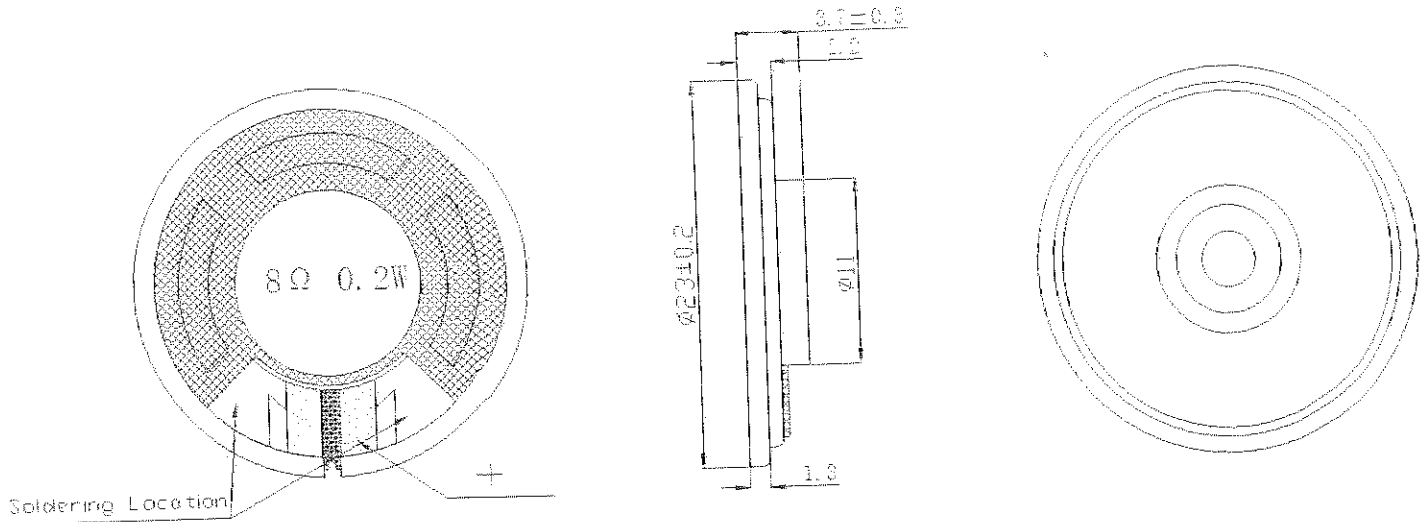
3 OF 5

文件发行章

3. Mechanical Layout And Dimensions

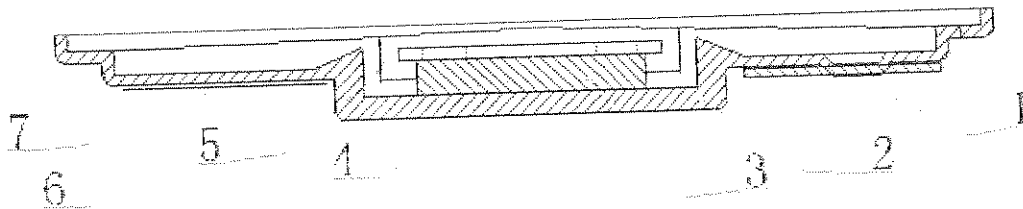
3.1 Dimensions

Unit: mm Tol: ±0.5



※1 P.C.B Soldering Temperature 380°C Max For 3 Seconds

3.2 Construction Diagram

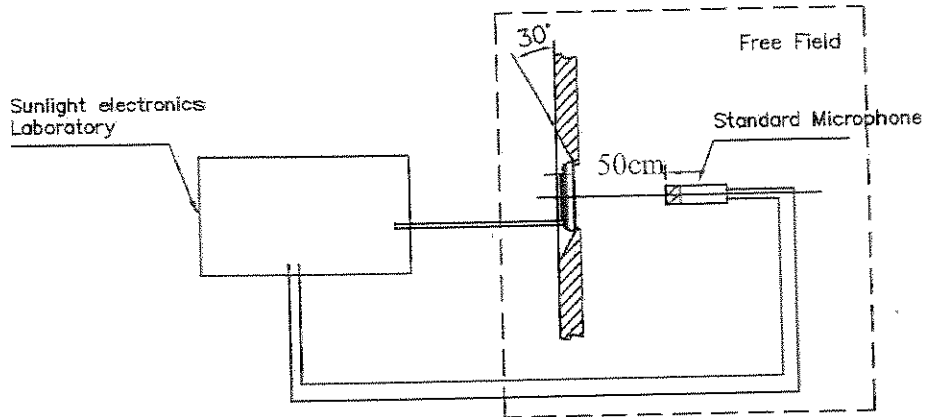


NO	PART NAME	MATERIAL	Q'TY
10			
9			
8			
7	DIAPHRAGM	MYLAR	1
6	CLOTH	CLOTH	1
5	VOICE COIL	DIA 8.74mm	1
4	WASHER	SPCC	1
3	MAGNET	NdFeB	1
2	YOKE	SPCC	1
1	TERMINAL	P.C.B	1
NO	PART NAME	MATERIAL	Q'TY

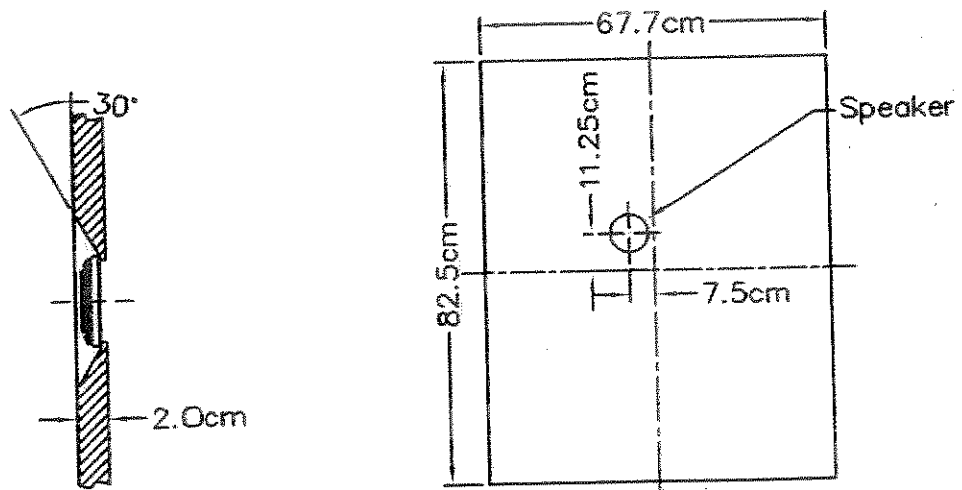
### 4. Test Method

#### 4.1 Measurement Diagram

Electroacoustic  
Testing Adapter



#### 4.2 Standard Baffle





SPECIFICATIONS

PART NAME  
DYNAMIC SPEAKER

MODEL NO

OBO-23008F-01

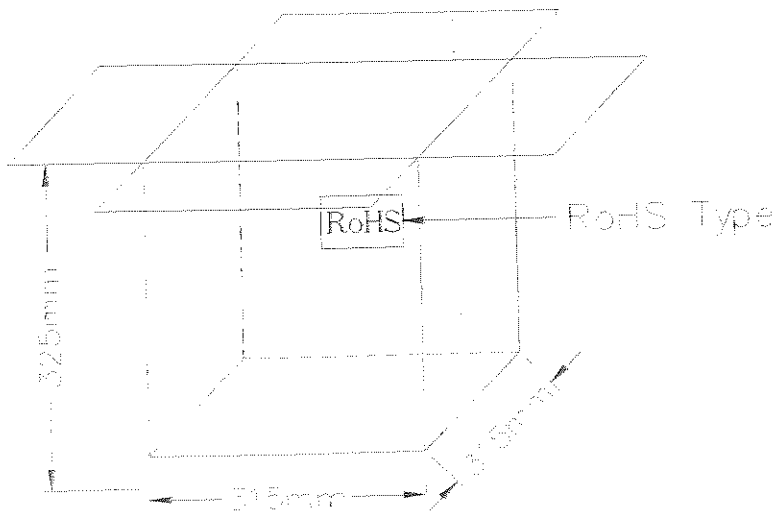
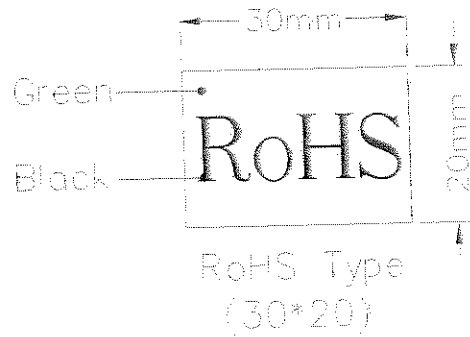
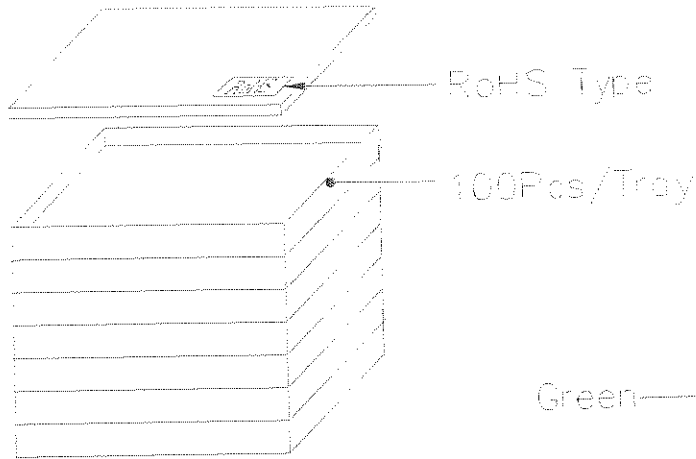
SHEET

3 OF 5

文件发行章

5. Packing

※1 ※2



2000Pcs/ Carton  
(20Tray/ 315\*315\*325mm)