

2012 OCT 23

ALTERNATION HISTORY

Marking	Date	ECN NO.	REV.	Description	Page	文 據 發 行 章	
						PREPARE BY	APPROVE BY
---	OCT.19,2012	---	A	New Document	5		

REV.	DATE	PREPARED BY	CHECKED BY	APPROVED BY
A	OCT.19,2012			

10/19

MODEL NO : OBO-20008G-07

Features:Conformity RoHS Directive(2002/95/EC) Requests.

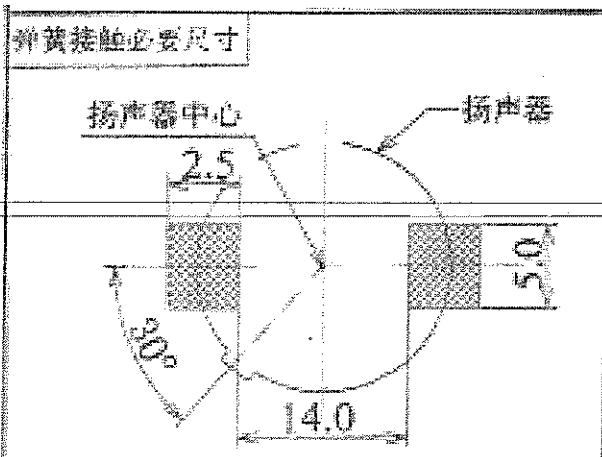
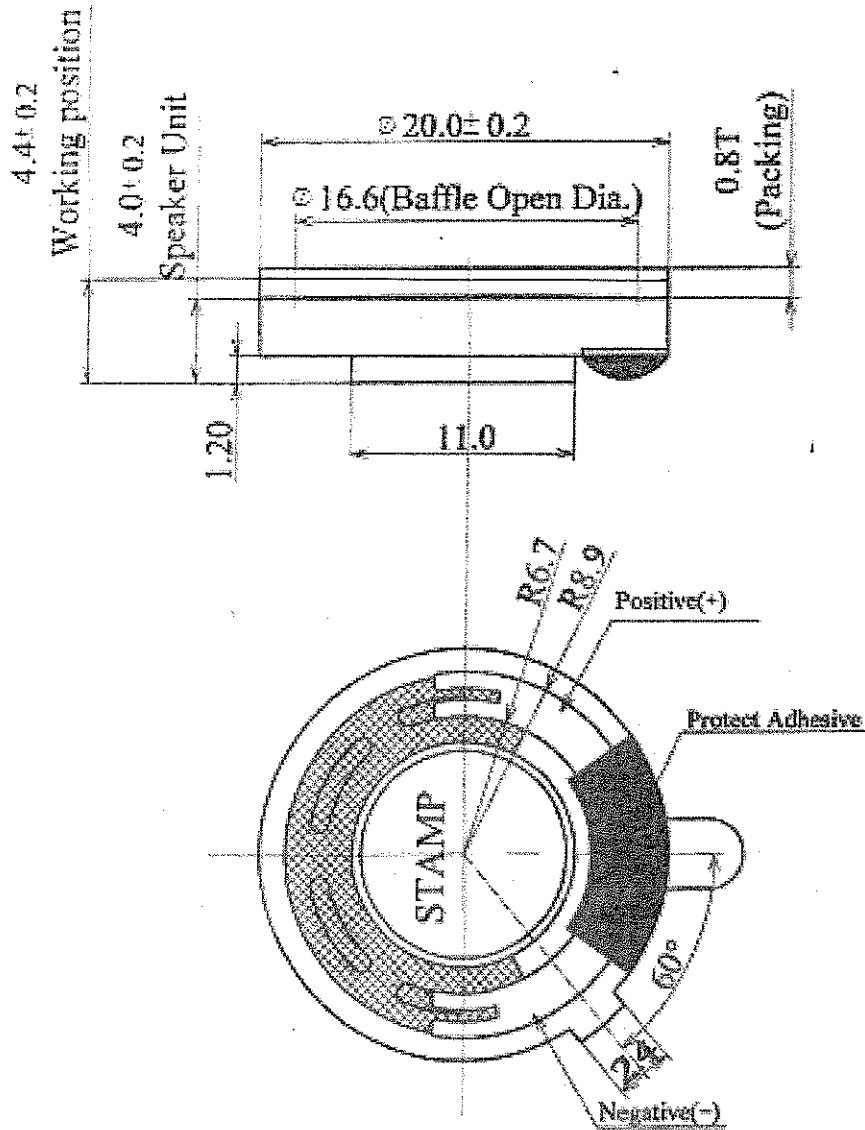
1. General Specifications

Items	Spec.
Net weight	Approx.2.2 ± 0.1g
Magnet	Size: φ 7.8*1.3t mm Materials Nd-Fe-B
Nominal Impedance	8 Ohm±15% At 2000 Hz /0.5V
Power Rating	Normal 0.8W. Maximum 1.0W.
Lowest Resonant Frequency	750±150Hz
Output Sound Pressure Level (S.P.L)	89±3dB /0.1W/0.1Meter At1K,1.2K,1.5K,2.0,2.5KHz Ave . With Special Box.
Frequency Range	F0~ 20,000Hz. Average SPL -10dB.
Operational Test	Sine Wave 2.5V(0.8W), 100~20KHz
Polarity	When a Positive D.C Voltage is Applied to the Terminal Marked(+)or Red, the Diaphragm Should Move to the Front
Operating Temperature	-20°C to +65°C
Storage Temperature	-30°C to +85°C

2. Environmental Test

Humidity Test	Temperature: +40°C±2°C Relative Humidity: 90% ~ 95% Duration: 96 Hours Duration of recovery: 1 Hours
High Temperature Test	Temperature: +85°C±2°C Duration: 48 Hours Duration of recovery: 1 Hours
Low Temperature Test	Temperature: -30°C±2°C Duration: 96 Hours Duration of recovery: 1 Hours
Load Test	2.5V(0.8W), white noise 96 hours.
Drop Test	Speaker shall be packed in the carton and dropped the concrete floor (H:1M) 1 corner:1 time ,3 ridges :1 time each ,6 faces:1 time each.
Vibration Test	10Hz→55Hz→10Hz/60s 1.55mm (X:2h,Y:2h)
Temperature Shock Test	Temperature: 85±2°C→-30±2°C →85±2°C Duration: 1Hrs 1Hrs 1Hrs Total: 5 cycles

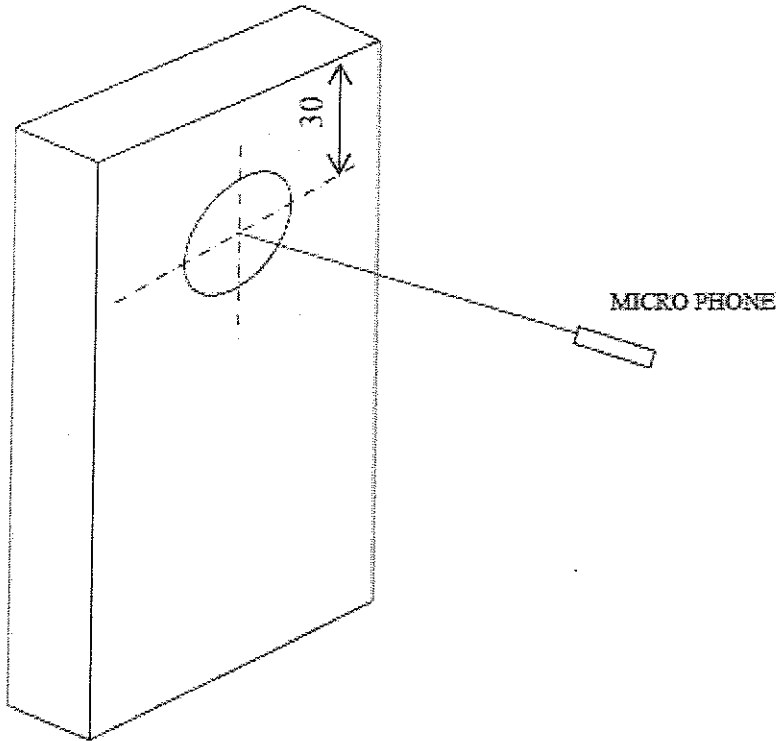
3. Mechanical Layout And Dimensions



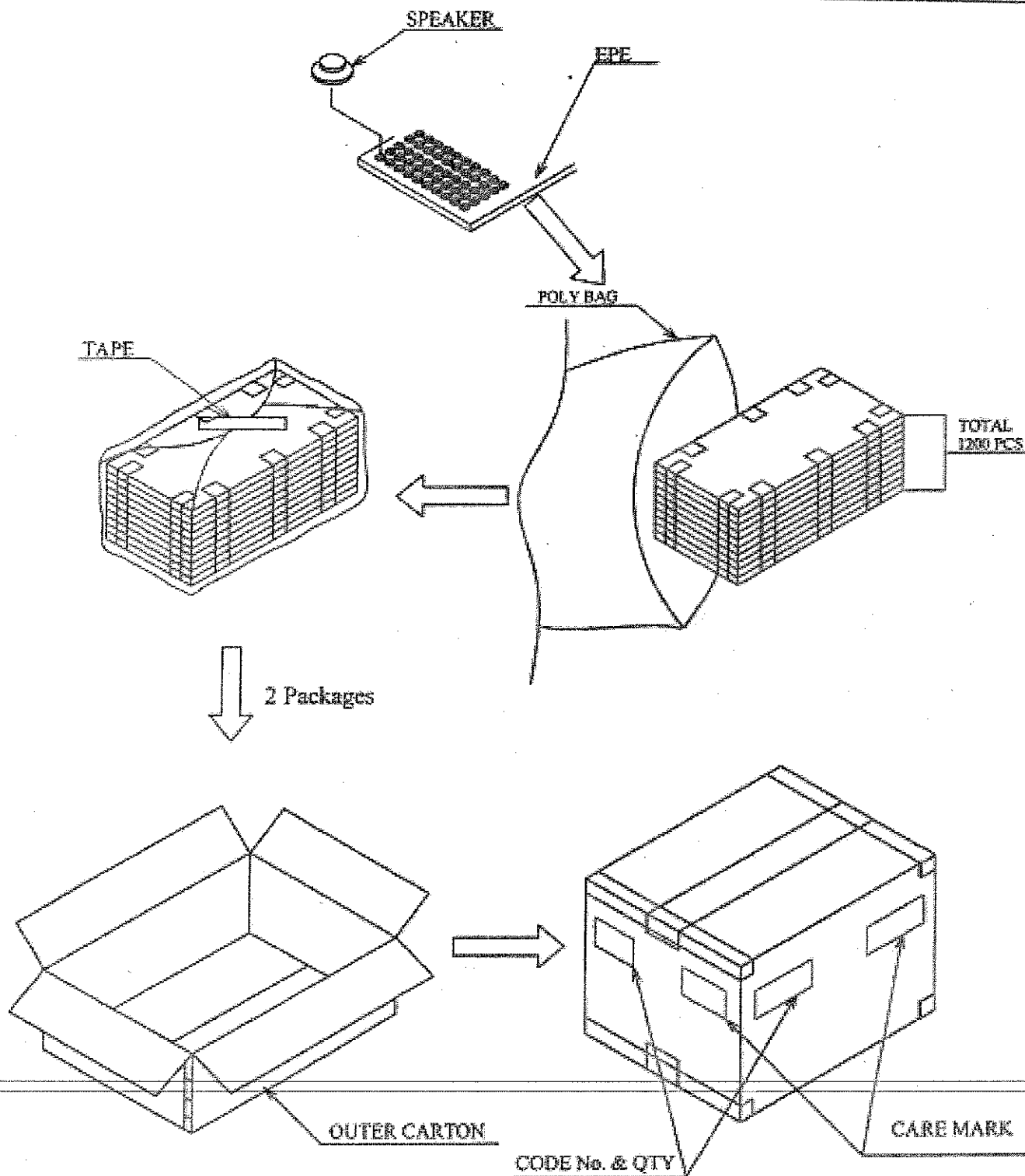
STAMP

A 0 6
Lot No.

4. Specific Box
Closed Box Whose Volume Is 45CC



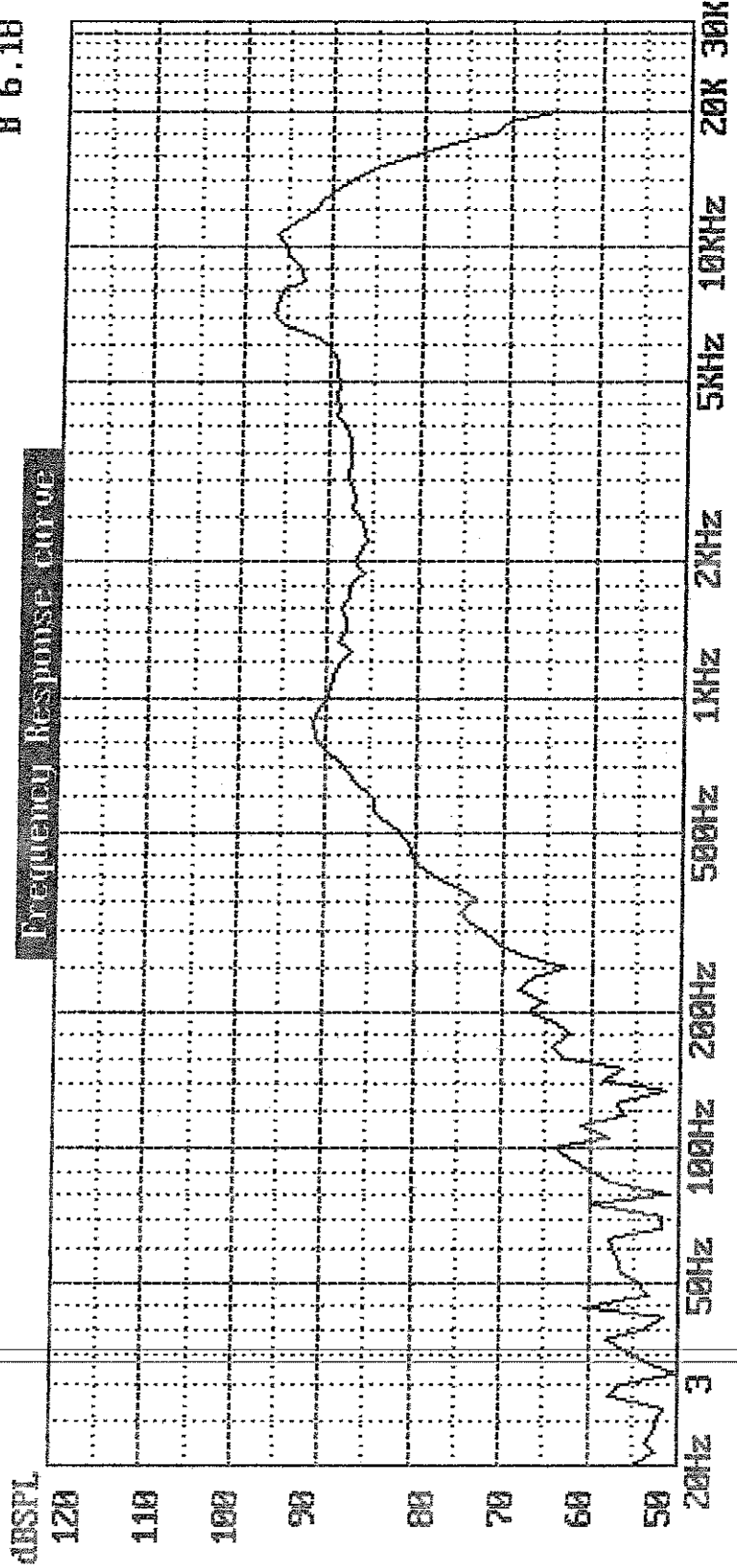
5 Packing .



QTY : 2400PCS
Carton Size: 375*484*185mm
Gross Weight: 6.5KG

Firm: Model: DATE:10-15-2012 TIME:07:57:39
 1000Hz Sens.= 90.0dB SPL Pass F.R.: Pass DCR: 7.570 Pass
 Average SPL: 87.5dB SPL Pass (1200:1500:2000; 2500Hz) Sweep Speed: 1/12 Oct.

B 6.18



Voltage applied for **PL** = 0.090V **Start F** = 20Hz **Stop F** = 20000Hz
 Measuring Distance = 0.10M

Mfg.:

Measured using Sunlight 1600; Fax:886-2-22230727