

OBO Pro.2**SPECIFICATIONS**MODEL NO
OBO-20008G-0601PART NAME
DYNAMIC SPEAKER

SUBJECT .2 INC

20080909

文件发行章

MODEL NO : OBO-20008G-0601

Features:Conformity RoHS Directive(2002/95/EC) Requests.

1. General Specifications

Items	Spec.
Magnet	Size: $\Phi 7.8 \times 1.3 \text{mm}$
Weight	Approx 2.2 ± 0.1 Grams
Nominal Impedance	8 Ohm $\pm 15\%$ At 2000 Hz/0.5V
Power Rating	Normal 0.8W. Maximum 1.0W.
Lowest Resonant Frequency	$650 \pm 130 \text{Hz}$
Output Sound Pressure Level (S.P.L)	$89 \pm 3 \text{dB} / 0.1 \text{W} / 0.1 \text{Meter}$ Average at 1200,1500,2000,2500Hz.
High threshold Frequency	$20,000 \text{Hz} \pm 6,000 \text{Hz}$
Abnormal Sound Test	Must be Normal Tested by 2.5Volts(0.8W). Sine Wave 100~20KHz.
Polarity	Diaphragm shall move Forward when Apply a Positive DC Current to end of the red line(Polarity"+")
Operating Temperature	-20°C to $+65^{\circ}\text{C}$
Storage Temperature	-30°C to $+85^{\circ}\text{C}$

2. Environmental Test

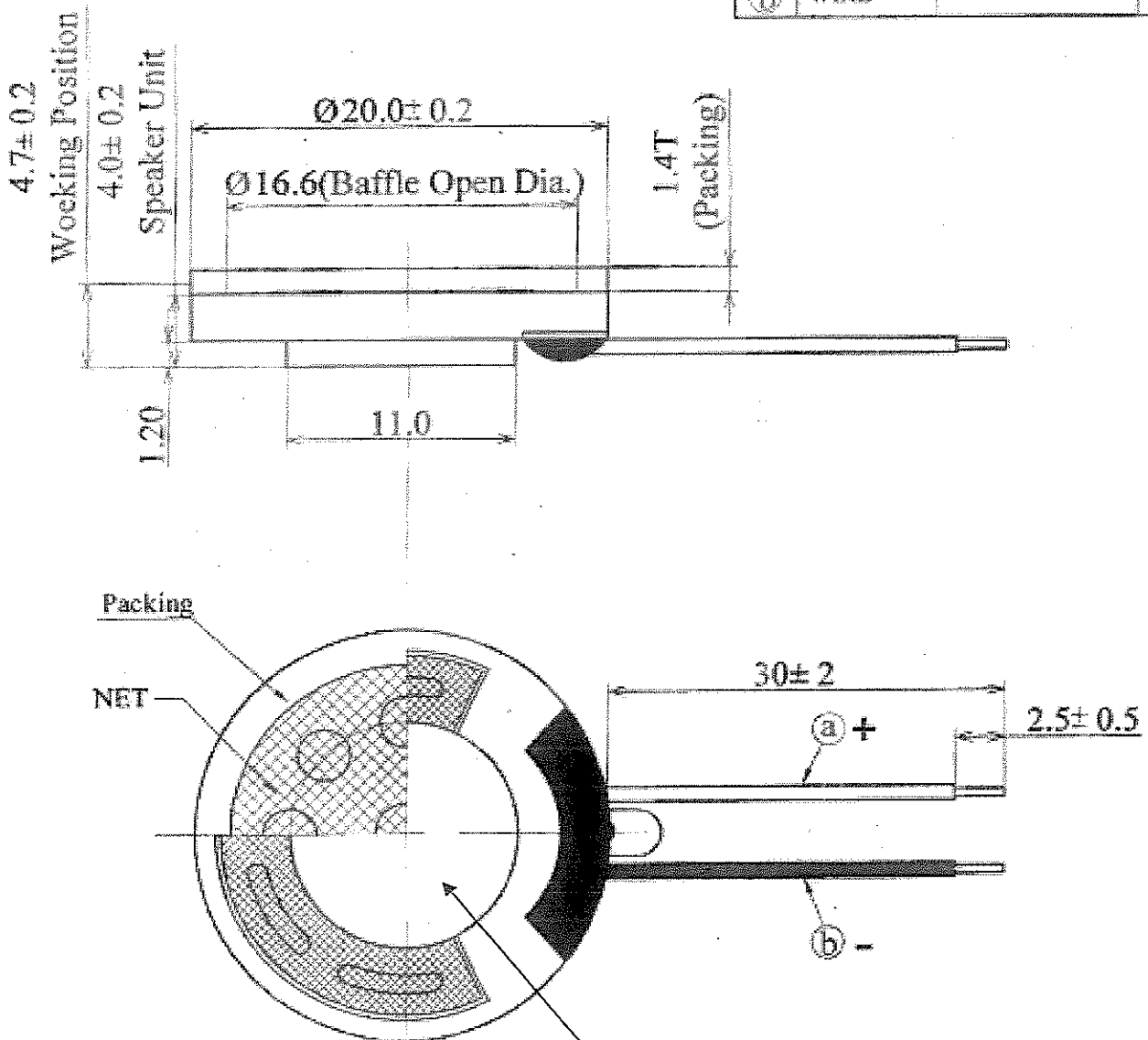
High Temp. Test	Temperature: $+85^{\circ}\text{C} \pm 2^{\circ}\text{C}$ Duration: 48 Hours	Relative Humidity: 20% ~ 40% Duration of recovery: 1 Hour
Low Temp. Test	Temperature: $-30^{\circ}\text{C} \pm 2^{\circ}\text{C}$ Duration: 96 Hours	Relative Humidity: 20% ~ 40% Duration of recovery: 1 Hour
Humidity Test	Temperature: $+40^{\circ}\text{C} \pm 2^{\circ}\text{C}$ Duration: 96 Hours	Relative Humidity: 90% ~ 95% Duration of recovery: 1 Hour
Vibration Test	$10 \text{Hz} \rightarrow 55 \text{Hz} \rightarrow 10 \text{Hz} / 60 \text{s}$ $1.5 \text{mm} (\text{X}:2\text{h}, \text{Y}:2\text{h})$	
Thermal Shock Test	$+85^{\circ}\text{C} \pm 2^{\circ}\text{C} \rightarrow -30^{\circ}\text{C} \pm 2^{\circ}\text{C} \rightarrow +85^{\circ}\text{C} \pm 2^{\circ}\text{C}$ 5 Cycles	
Load Test	White Noise Without Weighted Filter 2.5 Volts(0.8W).(RMS) 96Hrs.	
Drop Test	Speaker shall be packed in the carton and dropped the concrete floor(H:1m)1 corner: 1time,3 ridges:1 time each,6faces:1 time each	

3. Mechanical Layout And Dimensions

3.1 Dimensions

LEAD WIRE

No.	Part Name	Code No.	Remarks
Ⓐ	WIRE	UL1571 AWG32	RED
Ⓑ	WIRE		BLACK



Stamp For The Speaker :
OBO
 8Ω 0.1W
BC2

OBO Pro.2.

SPECIFICATIONS

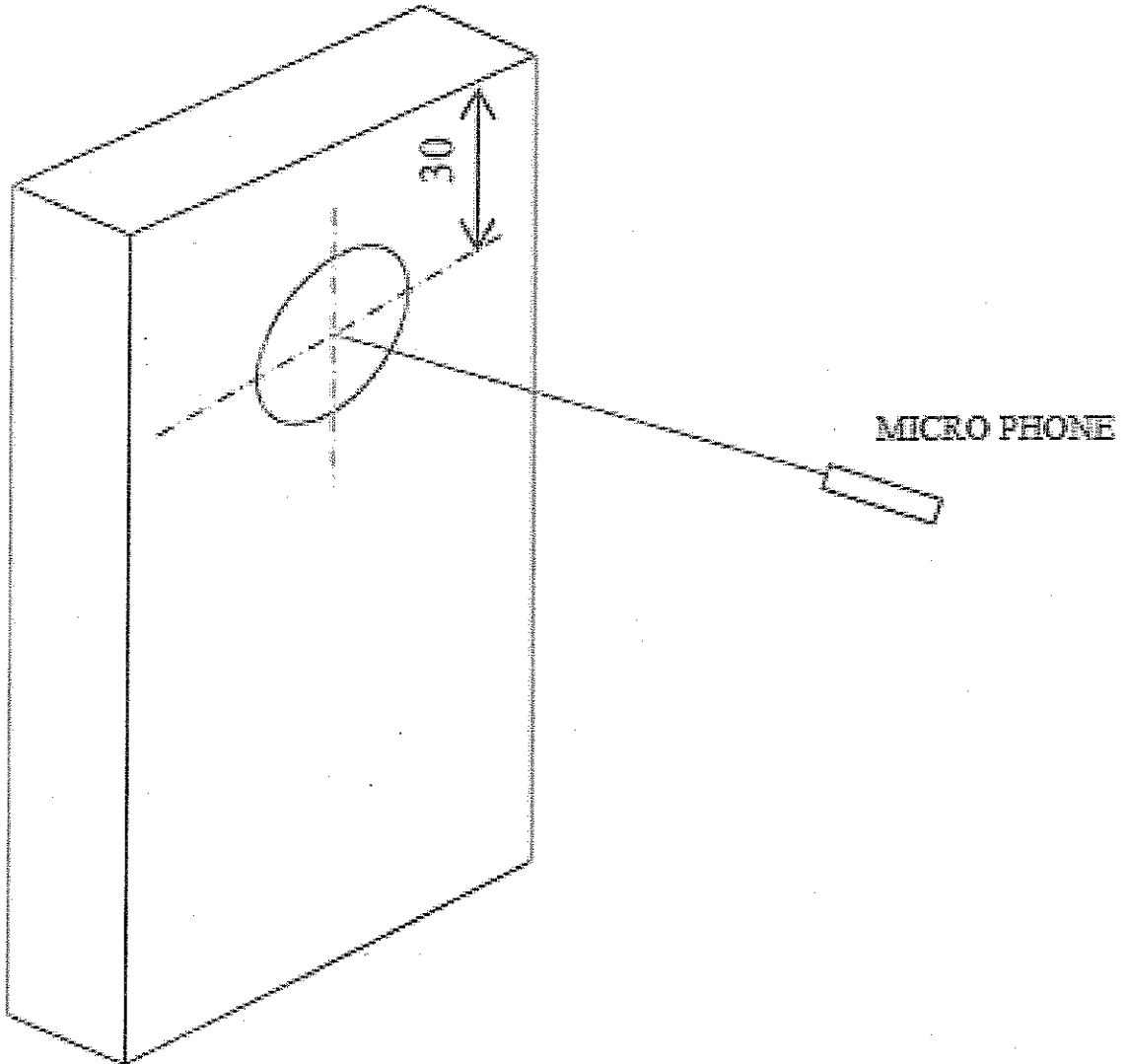
MODEL NO
OBO-20008G-0601

PART NAME
DYNAMIC SPEAKER

OBO PART
SHEET 2/15
4 OF 5

文件发行部

4. Specific Box
Closed Box Whose Volume Is 45CC



OBO Pro.2

SPECIFICATIONS

MODEL NO
OBO-20008G-0601

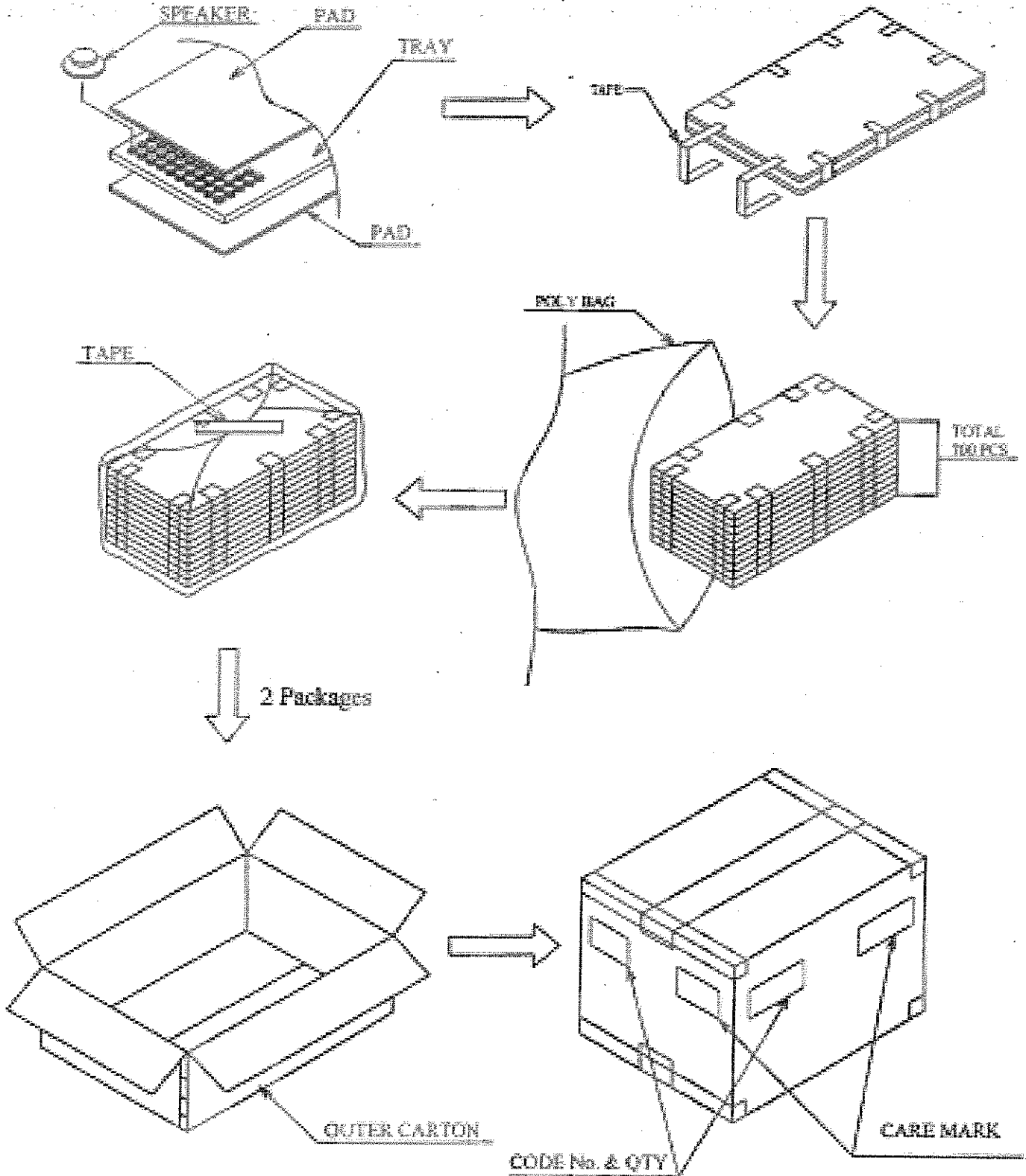
PART NAME
DYNAMIC SPEAKER

SHEET: 2/10

5 OF 5
2012/08/09

文件发行章

5-Packing .



QTY : 1400PCS
Carton Size: 375*484*185mm
Gross Weight: 10,3KG

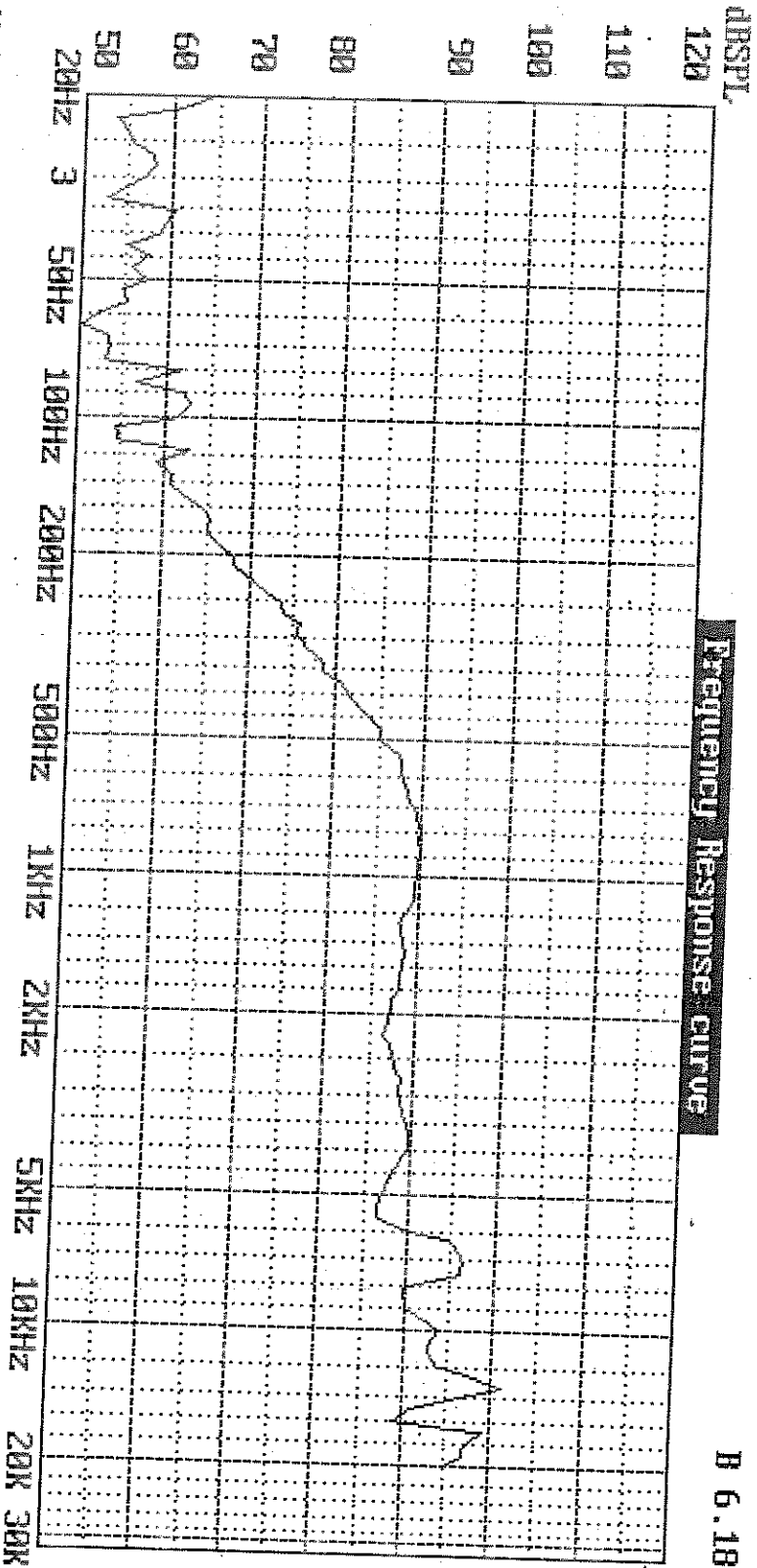
2012 MAR 09

文件发行章

Firm: Model: 1000Hz Sens. = 99.7dB SPL Pass Average SPL: 99.1dB SPL Pass

F.R.: Pass DCR: 0.000 Pass (1200; 1500; 2000; 2500Hz) Sweep Speed: 1/12 Oct. DATE: 02-24-2012 TIME: 07:00:53

44



Voltage applied for F.R. = 0.893V
Measuring Distance = 0.10M

Start F. = 20Hz
Stop F. = 20000Hz

Mfg.:

Measured using Sunlight 1600; Fax: 886-2-22230727