



SPECIFICATIONS

MODEL NO
OBO-15236SA

PART NAME
Piezoelectric Buzzer

SHEET
OBO PRO.2 INC

ALTERNATION HISTORY

2012 OCT 15

Marking	FEB.	ECN NO.	REV.	Description	Page	PREPARED BY	APPROVED BY
--	SEP.13,12	---	A	New Document	5	<i>梅梅梅</i>	<i>梅梅梅</i>

REV.	DATE	PREPARED BY	CHECKED BY	APPROVED BY
A	SEP.13,2012	<i>梅梅梅</i>	<i>梅梅梅</i>	<i>梅梅梅</i>

MODEL NO : OBO-15236SA

Features : External drive.

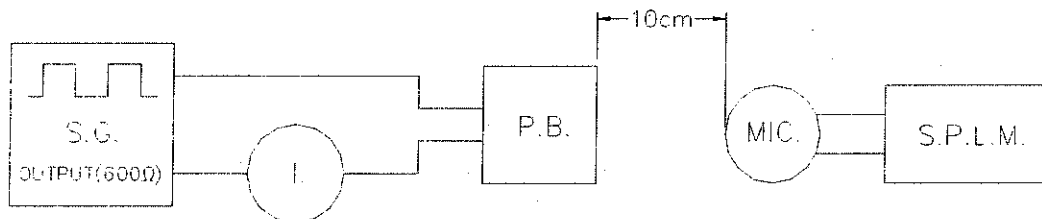
Conformity RoHS Directive(2002/95/EC) Requests.

1. General Specifications:

	Items	Spec.
1.1	Sound Pressure Level	85dB Min.at 3650Hz/7Vp-p,Square wave/10cm
1.2	Capacitance	15,000pF±30% at 120Hz
1.3	Current Consumption	3mA Max. at 3650Hz/7Vp-p
1.4	Allowable Input Voltage	3~20Vp-p
1.5	Case Material	PPS(Black)
1.6	Lead Pin Material	Tin Plated Brass(Sn)
1.7	Operating Temp. Range	-25°C to +85°C
1.8	Storage Temp. Range	-40°C to +85°C
1.9	Weight	2.0 gms

2. Test Method :

2.1 Standard Test Diagram



- S.G. : GAG-808G Audio Ggenerator or Equivalent
 S.P.L.M. : Sound Pressure Level Meter IEC651 TYPE2
 I. : GDM-8145 Multimeter or Equivalent
 P.B. : Piezoelectric Buzzer

Note:please pay attention never to be applied DC voltage to piezo sounder.

2.2 Measuring condition

Part shall be measured under a condition

(Temperature: +5°C to +35°C, Humidity: 45% to 85%R.H.)

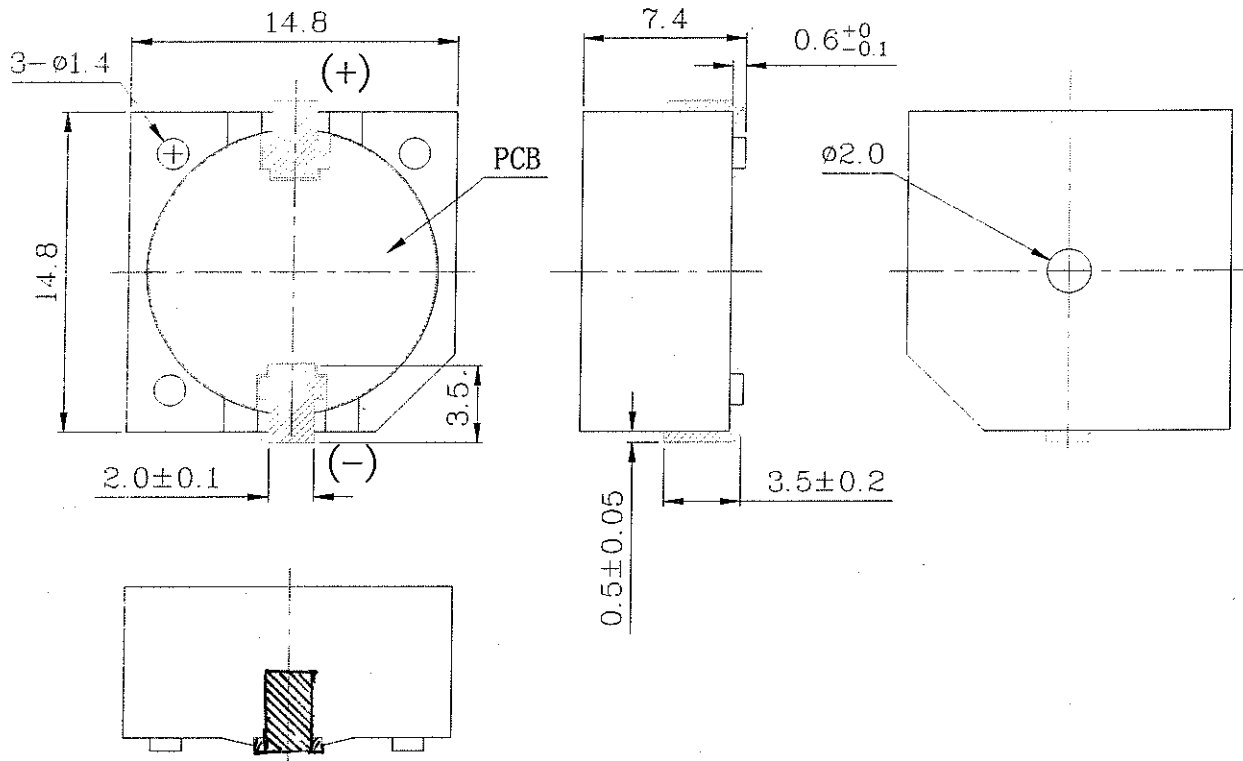
unless the standard condition (Temperature: +25±3°C,

Humidity: 60±10%R.H.) is regulated to measure.

3. Mechanical Layout and Dimensions:

3.1 Dimendions

Tolerance: $\pm 0.5\text{mm}$ Unit: mm



3.2. Environment-related substances to be controlled.

◎ Piezoelectric Ceramic Disc.

RoHs Annex:

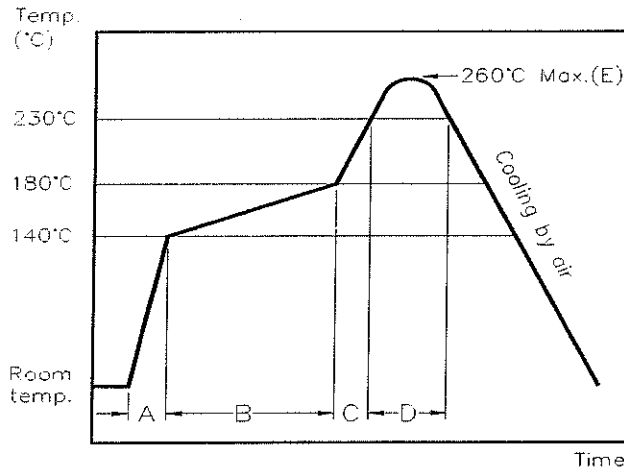
Application of lead, mercury, cadmium and hexavalent chromium, which are exempted from the requirement of article 4(1).

* Lead in electronic ceramic parts.(e.g. piezoelectronic devices).

4. Soldering Condition :

4.1 Reflow Soldering

Recommendable reflow Soldering condition is follows.



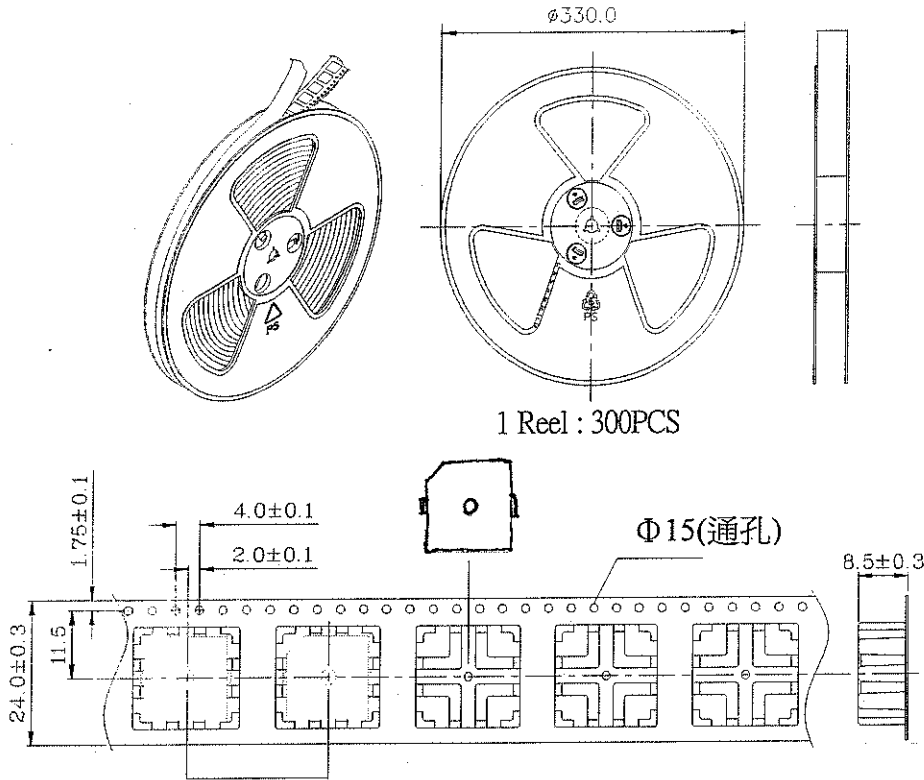
NO.	Items	Condition	Unit
A	Temp. rise gradient	1 ~ 4	°C/sec
B	Heating time	50~150	sec
	Heating temperature	140~180	°C
C	Temp. rise gradient	1 ~ 4	°C/sec
D	Time over 230°C	48 Max.	sec
E	Peak temperature	260°C Max.	°C
	Peak-temp. hold time	Momentary	sec
Soldering		2	times

Note: It's requested that second reflows soldering should be executed after heat of product goes down to normal temperature.

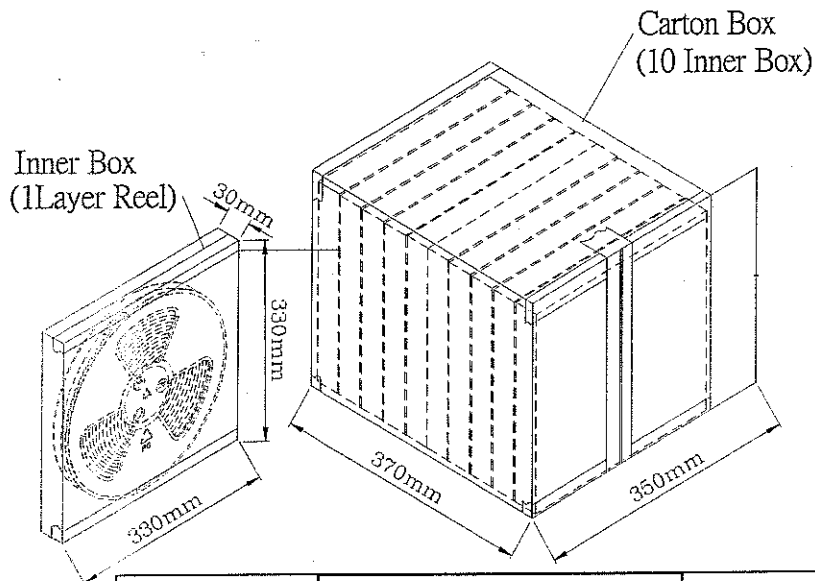
4.2 Hand Soldering

Soldering iron temperature 350°C less than 5 second.

5. Packing Information :



1 Reel : 300PCS



Inner Box	330mmx330mmx30mm	1x300PCS=300PCS
Carton Box	350mmx350mmx370mm	10x300PCS=3,000PCS