

OBO Pro.2	SPECIFICATIONS	MODEL NO. OBO-1212A-A2
	PART NAME Magnetic Transducer	SHEET 1 OF 5

ALTERNATION HISTORY							
Marking	Date	ECN. NO.	REV.	Description	Page	PREPARE BY	APPROVE BY
※1	OCT,31'05	0508011	E	1.Conformity RoHS Directive (2002/95/EC) Requests 2.Increase by Soldering Condition & "Pb-Free" Tapy.	5	簡沛玲	李順仁
※2	JUN,28'06	0606024	F	Change item 3,4,5	3,4	林子翔	呼達台

REV.	DATE	PREPARED BY	CHECKED BY	APPROVED BY
F	JUN,28,2006	Eileen	馮仁如	呼達台

OBO Pro.2	SPECIFICATIONS	MODEL NO. OBO-1212A-A2
	PART NAME Magnetic Transducer	SHEET 2 OF 5

MODEL NO : OBO-1212A-A2

Features : Conformity RoHS Directive (2002/95/EC) Requests.

Wave solder and wash allowed. ※1

1. General Specifications :

Items	SPEC
※ Sound Pressure Level	85 dB min./10cm/DC 12V
Rated Voltage	DC 12V
Resonant Frequency	2400 Hz
※ Rated Current	40mA max./DC 12V
Coil Resistance	140 ±14Ω
Operating Voltage	DC 6 to 15 V
Housing Material	NORYL
Operating Temp. Range	-20°C to +70°C
Storage Temp Range	-30°C to +80°C
Weight	2.0 gms

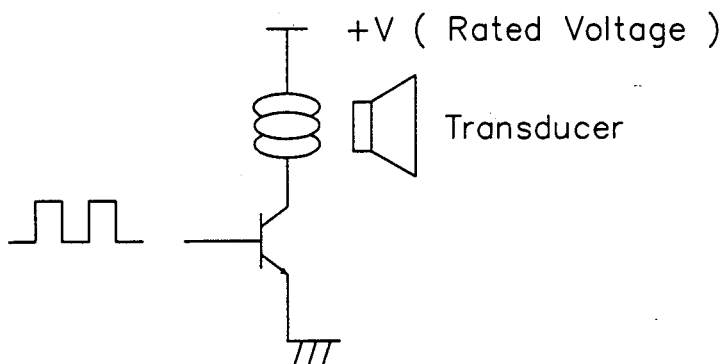
※ Applying rated voltage/ Resonant Frequency , 1/2 duty Square wave

2. Recommended Driving Circuit:

Signal:

Resonant frequency, 1/2 duty cycle, square wave.

signal amplitude should be large enough to saturate the transistor which drives the buzzer.

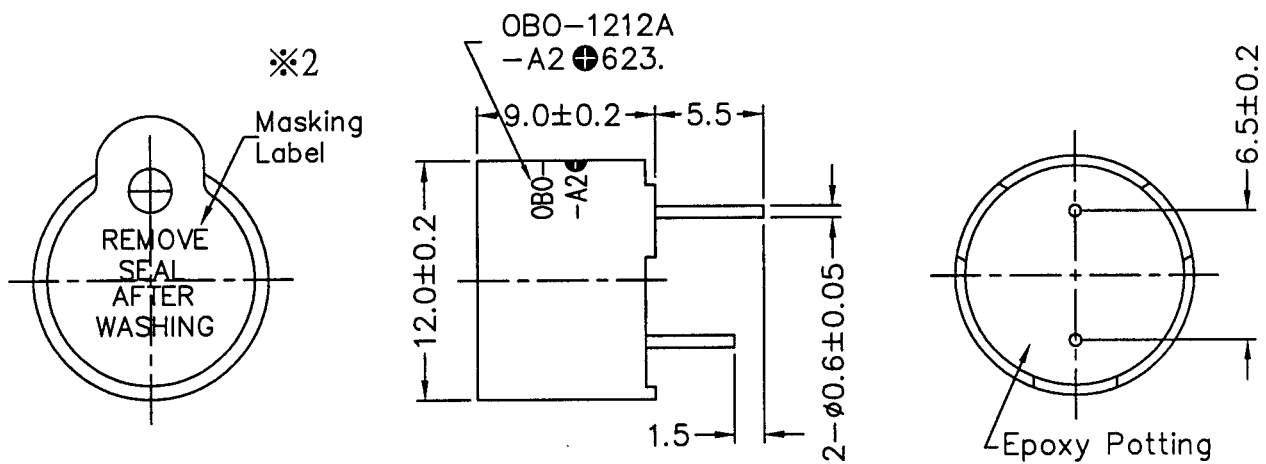


OBO Pro.2	SPECIFICATIONS	MODEL NO. OBO-1212A-A2
	PART NAME Magnetic Transducer	SHEET 3 OF 5

3. Mechanical Layout and Dimensions :

3.1 Dimensions

Tolerance: $\pm 0.5\text{mm}$ Unit: mm



3.2 Meaning of Stamp Mark

623 : Production Period

6 : Year 2006 (last 1 figures of the year)

23 : Week (01~55)

4. Soldering Condition : ※1 ※2

4.1 Wave Soldering

Peak temperature	Dipping time	Soldering
+ 260°C	5 seconds	1 time

4.2 Hand Soldering

Iron Tip Temperature	Soldering time
+ 380°C Max.	Duration 3 seconds Max.

OBO Pro.2

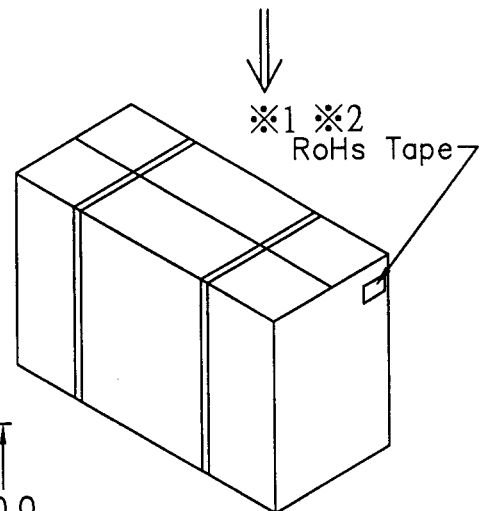
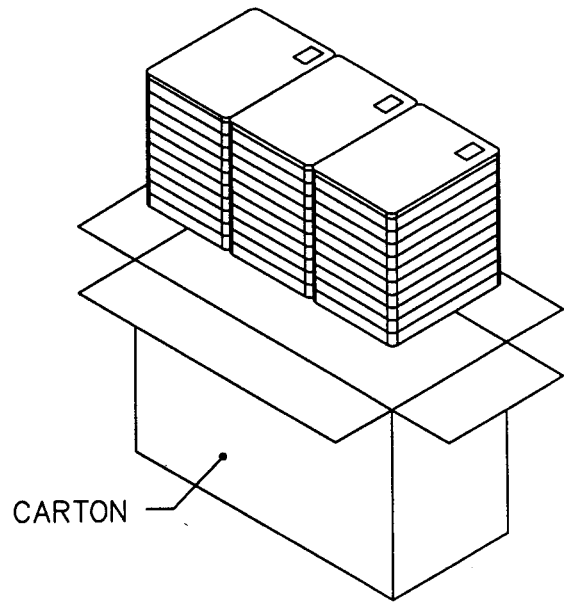
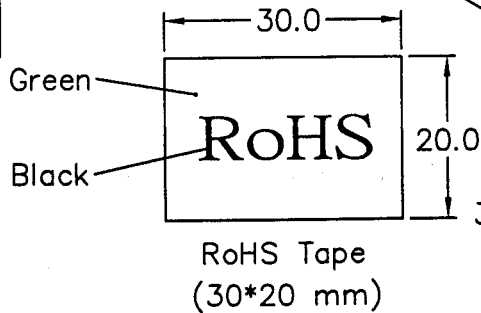
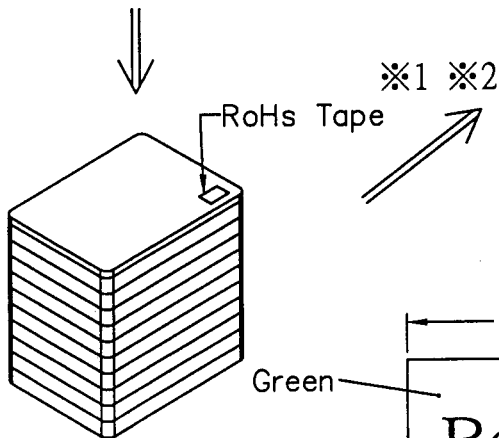
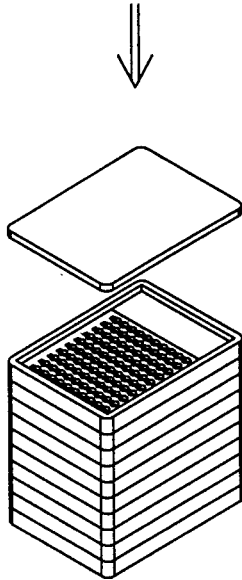
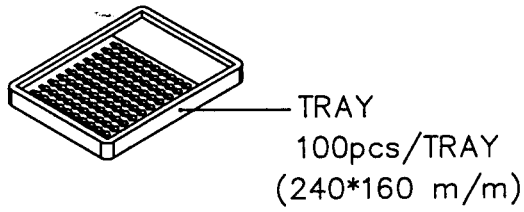
SPECIFICATIONS

MODEL NO.
OBO-1212A-A2

PART NAME
Magnetic Transducer

SHEET
4 OF 5

5. Packing Information :



3000pcs/CARTON
(50.5*26*28CM)

