

MODEL NO : OBO-57008F-01**Features: Conformity RoHS Directive(2002/95/EC) Requests.****1. General Specifications**

Items	Spec.
Magnet	Materials NdFeB Size: $\Phi 12.5 \times 1.5$ mm
Weight	Approx 16.8 Grams
Nominal Impedance	8 Ohm \pm 15% At 700 Hz/1.0V
Power Rating	Normal 0.5W. Maximum 1.0W.
Lowest Resonant Frequency	500 \pm 150Hz
Output Sound Pressure Level (S.P.L)	88 \pm 3dB /0.5W/0.5Meter (Secundum IEC-268-5 Statute) Average at 1000,1200,1500,2000Hz.
Frequency Range	350 ~ 13,000 Hz. Average SPL -10dB.
Distortion	5% Maximum at 500Hz. 0.5W
Abnormal Sound Test	Must be Normal Tested by 2.0Volts. Sine Wave.
Polarity	Diaphragm Shall More Forward When Apply a Positive DC Current To The "+" or "marked" Terminal
Operating Temperature	-25 $^{\circ}$ C to +50 $^{\circ}$ C
Storage Temperature	-25 $^{\circ}$ C to +55 $^{\circ}$ C

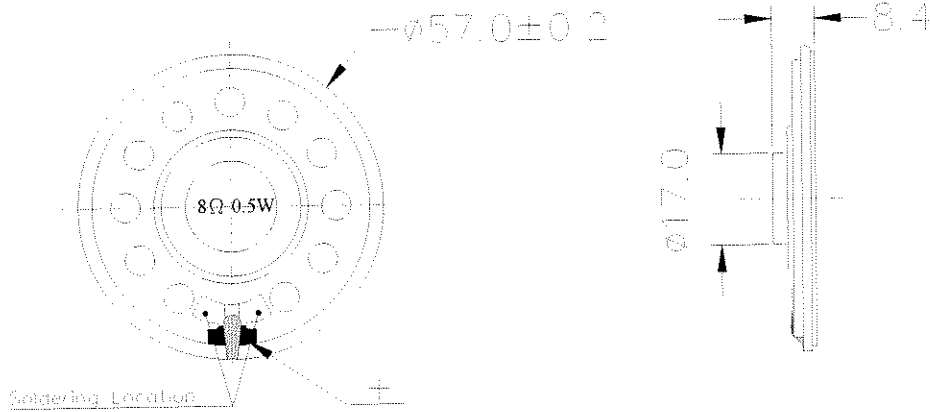
2. Environmental Test

Humidity Test	Temperature:	+40 $^{\circ}$ C \pm 3 $^{\circ}$ C
	Relative Humidity:	90% ~ 95%
	Duration:	96 Hours
	Duration of recovery:	6 Hours
Temperature Cycle Test	Temperature:	+55 $^{\circ}$ C \rightarrow +25 $^{\circ}$ C \rightarrow -25 $^{\circ}$ C \rightarrow +25 $^{\circ}$ C
	Duration:	1Hour 1Hour 1Hour 1Hour
	Cycle:	3 Cycles
Vibration Test	Vibration Direction:	3 axes
	Mounting:	Unit Shall Be Rigidly Restrained On The Table
	Frequency:	1,000 Cycle/Minute
	Amplitude:	1.5m/m
	Endurance:	1 Hour in Each Plane
	Duration of Transfer Time:	Less Than 5Minutes
Load Test	White Noise With Weighted Filter 2.0 Volts.(RMS) 96 Hrs. 20~20,000Hz Resonant Frequency.	
Drop Test	75cm Free Falling On Concrete Floor, with 10 times.	

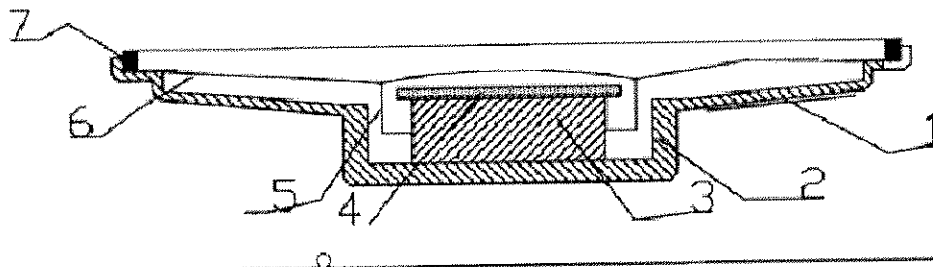
3. Mechanical Layout And Dimensions

3.1 Dimensions

Unit: mm Tol: ±0.3



3.2 Construction Diagram

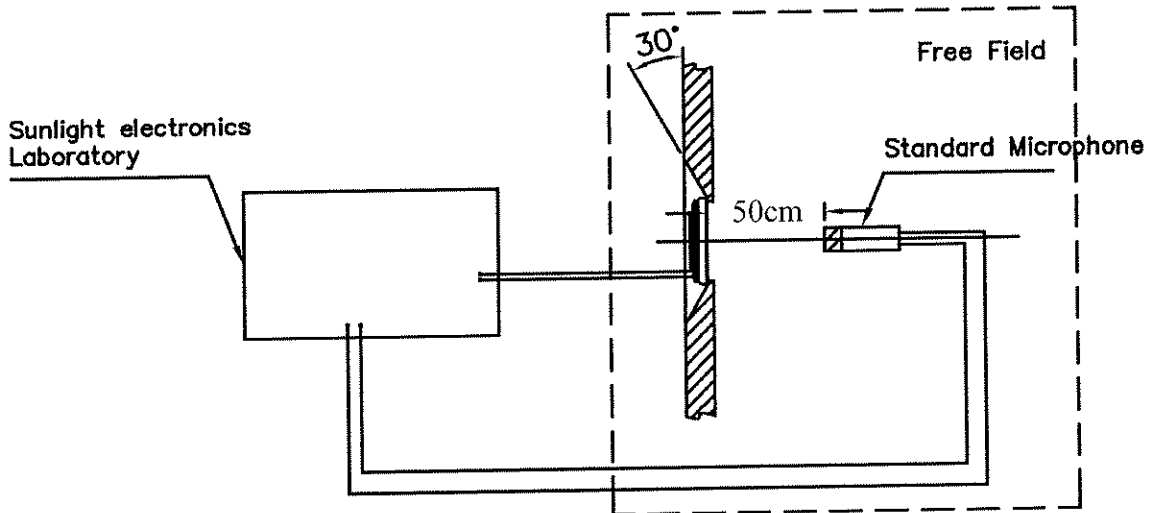


NO	PART NAME	MATERIAL	Q'TY
7	GASKET	PAPER	1
6	DIAPHRAGM	MYLAR	1
5	VOICE COIL	DIA 13.4 mm	1
4	WASHER	SPCC	1
3	MAGNET	NdFeB	1
2	YOKE	SPCC	1
1	TERMINAL	P.C.B	1

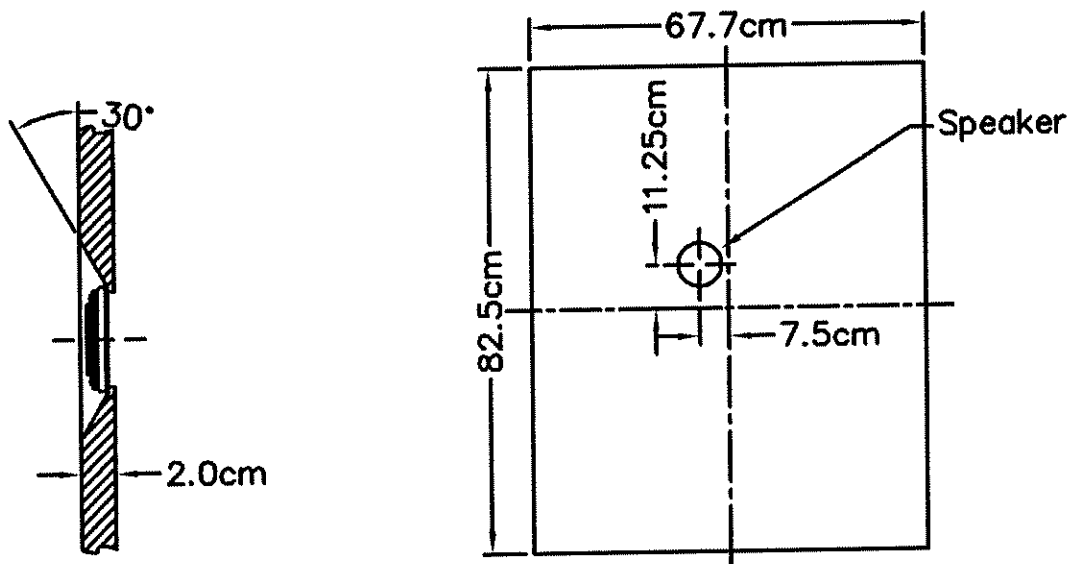
4. Test Method

4.1 Measurement Diagram

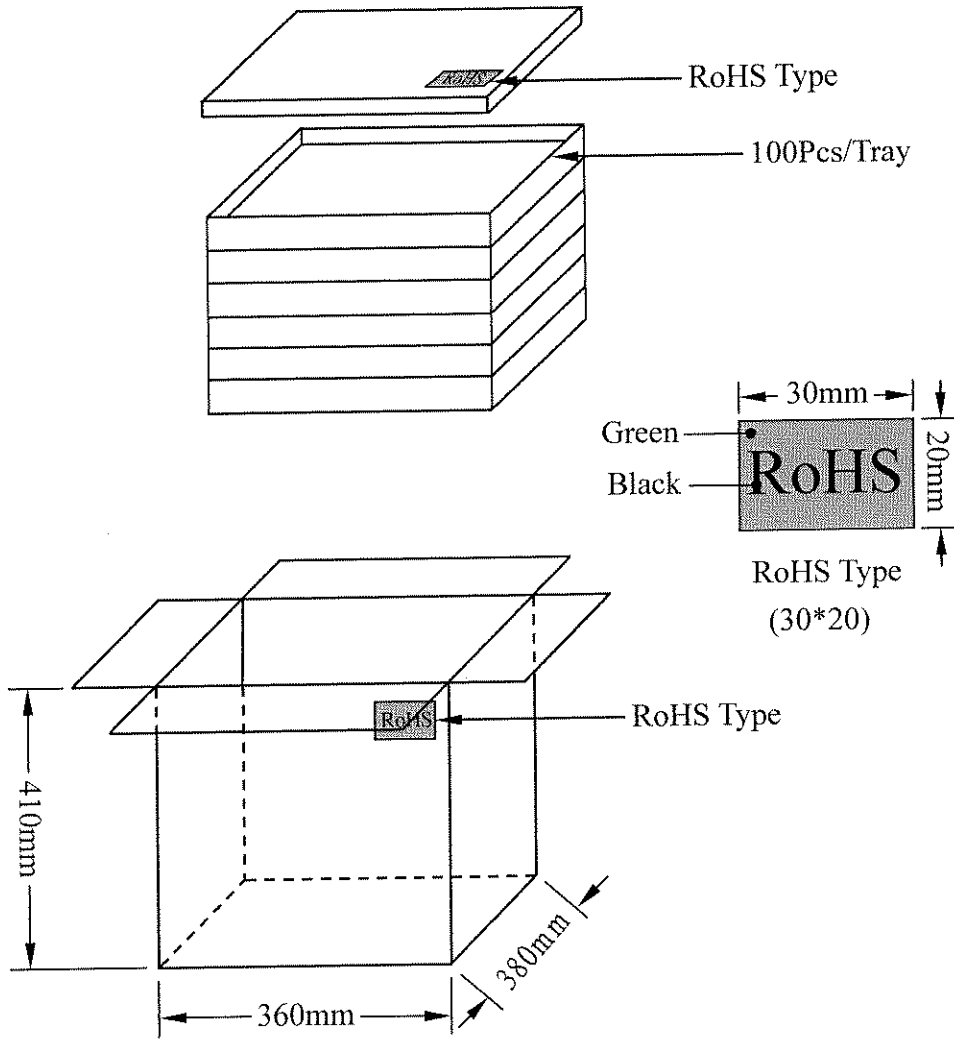
Electroacoustic
Testing Adapter



4.2 Standard Baffle



5. Packing



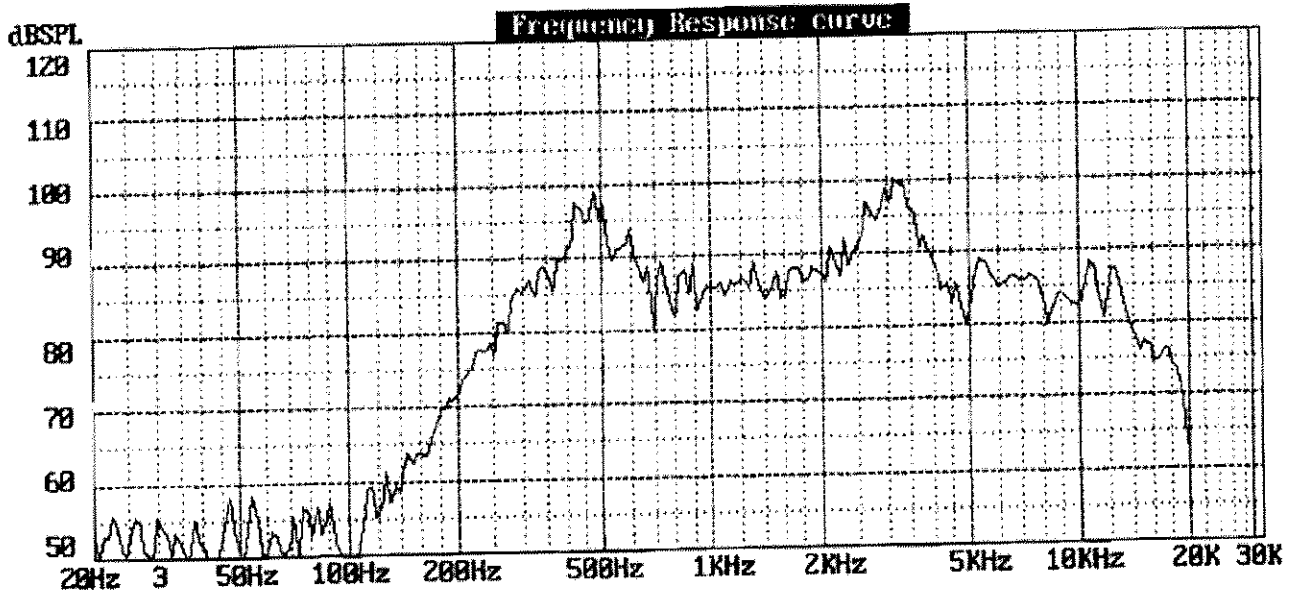
600Pcs/Carton

6Tray(360*380*410mm)

6. Frequency Response Curve

Firm: OBO Model: DATE: 07-13-2009 TIME: 01:53:56
1000Hz Sens. = 85.5dB SPL Pass F.R.: Pass DCR: 8.4 Ω Pass
Average SPL: 85.8dB SPL Pass (1000;1200;1500; 2000Hz) Sweep Speed: 1/24 Oct.

B 6.18



Voltage applied for **F.L.** = 2.000V **Start F.** = 20Hz **Stop F.** = 20000Hz
Measuring Distance = 0.50M

Mfg.:

Measured using Sunlight 1600; Fax: 886-2-22230727