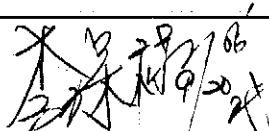
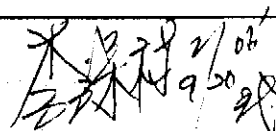


OBO Pro.2**SPECIFICATIONS****MODEL NO.**
OBO-50008F-01**PART NAME**
DYNAMIC SPEAKER**SHEET**
1 OF 7**ALTERNATION HISTORY**

Marking	Date	ECN NO.	REV.	Description	Page	PREPARE BY	APPROVE BY
※1	SEP,15,2006	DG0609001	D	Change to RoHS Type	7	蔡愛國	李保祿
						<div data-bbox="1218 539 1453 700" data-label="Text"> OBO PRO ZINC 2006 SEP 21 文件發行章 </div>	

REV.	DATE	PREPARED BY	CHECKED BY	APPROVED BY
D	SEP,15,2006	蔡愛國		

OBO Pro.2**SPECIFICATIONS****MODEL NO.**
OBO-50008F-01**PART NAME**
DYNAMIC SPEAKER**SHEET**
2 OF 7**MODEL NO : OBO-50008F-01**

OBO PRO.2 INC.

2006 SEP 21.

文件发行章

Features:Conformity RoHS Directive(2002/95/EC) Requests. ※1

1. General Specifications

Items	Spec.
Magnet	Materials NdFeB Size: $\phi 12.5 \times 1.5$ mm.
Weight	Approx 13.0 Grams
Nominal Impedance	8 Ohm \pm 15% At 800 Hz / 1.0V
Power Rating	Normal 0.25W. Maximum 0.5W.
Lowest Resonant Frequency	500 \pm 150 Hz.
Output Sound Pressure Level (S.P.L)	82 \pm 3dB /0.25W 0.5Meter.(Secundum IEC-268-5 statute) Average at 1000,1200,1500,2000Hz.
Frequency Range	350 ~8500 Hz. Average SPL-10 dB.
Distortion	5% Maximum At 450 Hz. 0.25W.
Abnormal Sound Test	Must be Normal Tested by 1.42Volts. Sine Wave.
Polarity	Diaphragm shall move Forward when Apply a Positive DC Current to the "+" or "Marked" Terminal.
Operating Temperature	-25°C to +50°C
Storage Temperature	-25°C to +55°C

2. Environmental Test

Humidity Test	High Temperature	:	+40°C \pm 3°C
	Relative Humidity	:	90% ~ 95%
	Duration	:	96 Hours
	Duration of recovery	:	6 Hours
Temperature Cycle Test	Temperature	:	+55°C \rightarrow +25°C \rightarrow -25°C \rightarrow +25°C
	Duration	:	1Hour 1Hour 1Hour 1Hour
	Cycle	:	3 Cycles
Vibration Test	Vibration Direction	:	3 axes
	Mounting	:	Unit Shall Be Rigidly Restrained On The Table
	Frequency	:	1,000 Cycle/Minute
	Amplitude	:	1.5m/m
	Endurance	:	1 Hour in Each Plane
	Duration of Transfer Time	:	Less Than 5Minutes
Load Test	White Noise With Weighted Filter 1.42 Volts.(RMS) 100 Hrs. 20~20,000Hz Resonant Frequency.		
Drop Test	70cm Free Falling On Concrete Floor, with 10 times.		

OBO Pro.2

SPECIFICATIONS

MODEL NO.
OBO-50008F-01

PART NAME
DYNAMIC SPEAKER

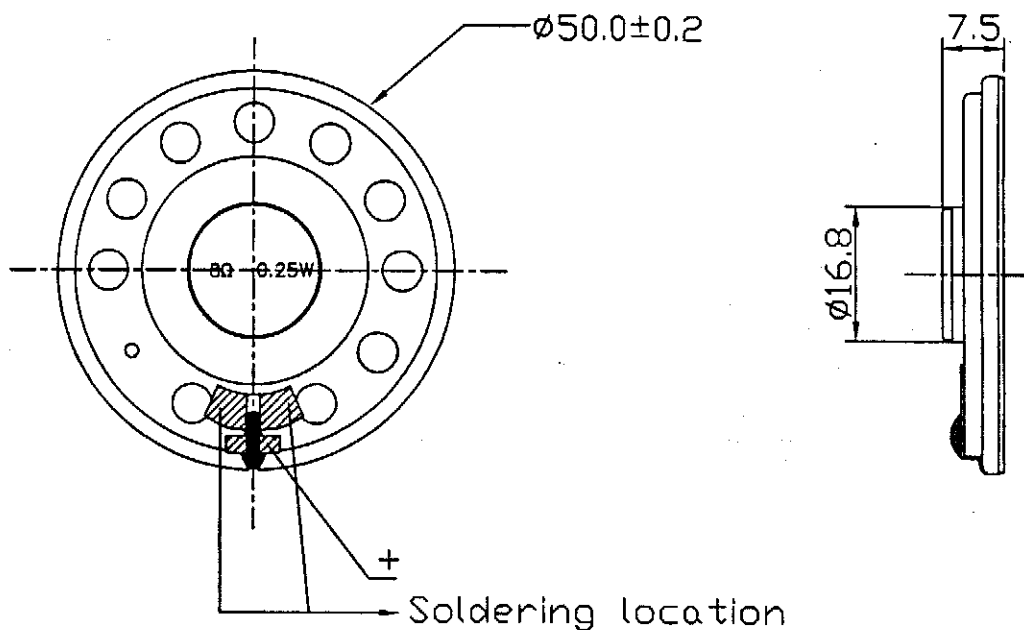
SHEET
3 OF 7

3. Mechanical Layout And Dimensions

OBO PRO.2INC
2006 SEP 21.
文件发行章

3.1 Dimensions

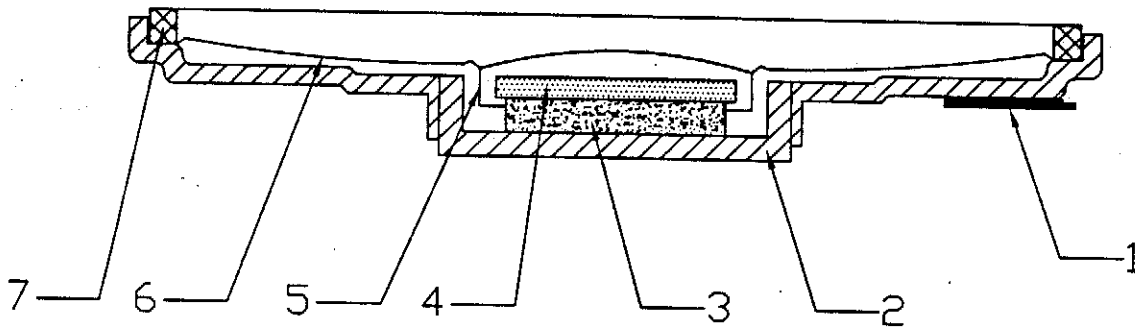
Unit:mm Tolerance:±0.3



※1 PCB Soldering Temperature 380° Max For 3 Seconds.

OBO PRO.2
2006 SEP 21
文件发行章

3.2 Construction Diagram



7	GASKET	PAPER	1
6	DIAPHRAGM	MYLAR	1
5	VOICE COIL	DIA 13.4 mm	1
4	WASHER	SPCC	1
3	MAGNET	NdFeB	1
2	YOKE	SPCC	1
1	TERMINAL	P.C.B	1
NO	PART NAME	MATERIAL	Q'TY

OBO Pro.2

SPECIFICATIONS

MODEL NO.
OBO-50008F-01

PART NAME
DYNAMIC SPEAKER

SHEET
5 OF 7

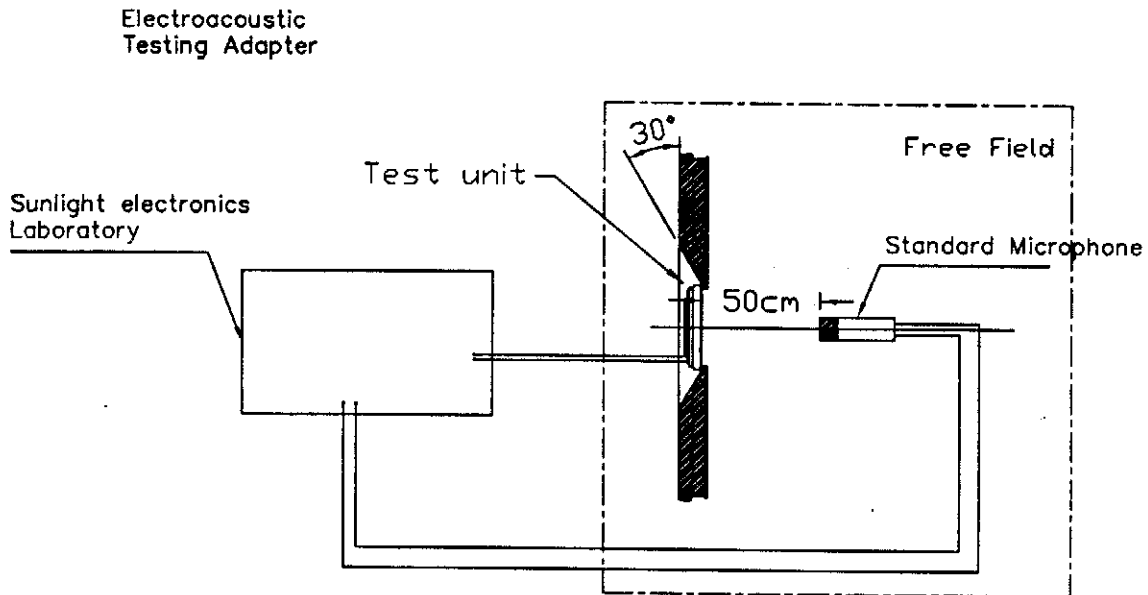
OBO PRO.2 INC.

2006 SEP 21.

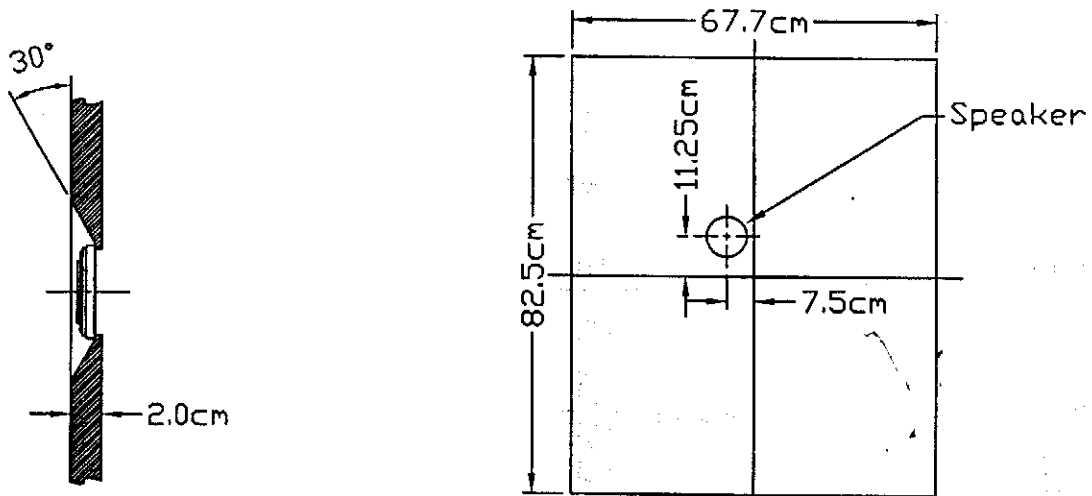
文件发行章

4. Test Method

4.1 Measurement Diagram



4.2 Standard Baffle



OBO Pro.2

SPECIFICATIONS

MODEL NO.
OBO-50008F-01

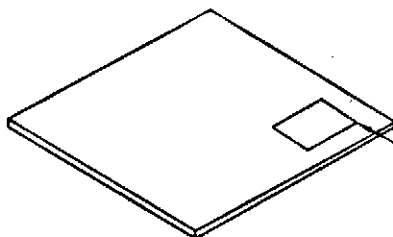
PART NAME
DYNAMIC SPEAKER

SHEET
6 OF 7

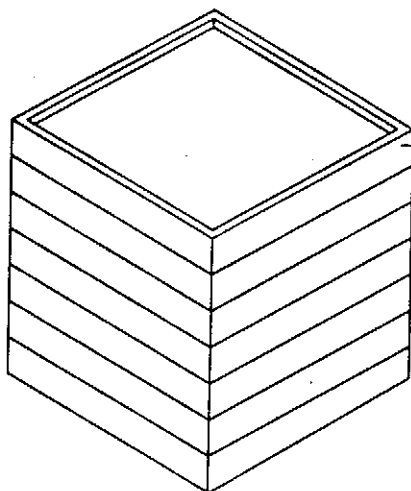
※15. Package

Unit:mm

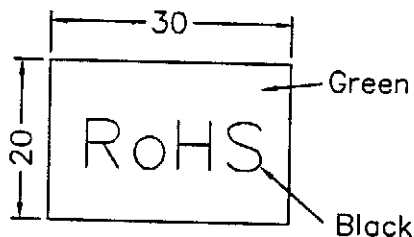
OBO PRO.2 INC
2006 SEP 21
文



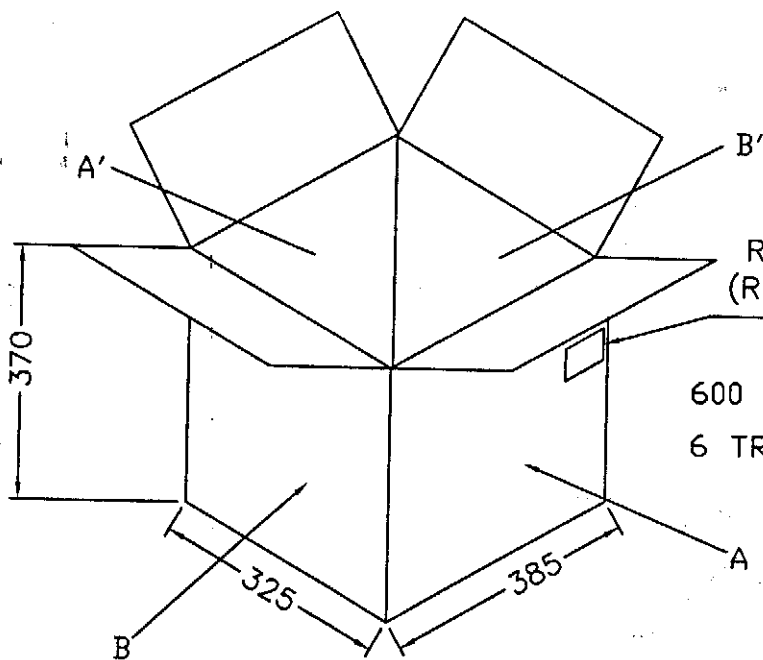
RoHS Tape
(Right Down of Cover)



100pcs/TRAY



RoHS Tape
(30*20)

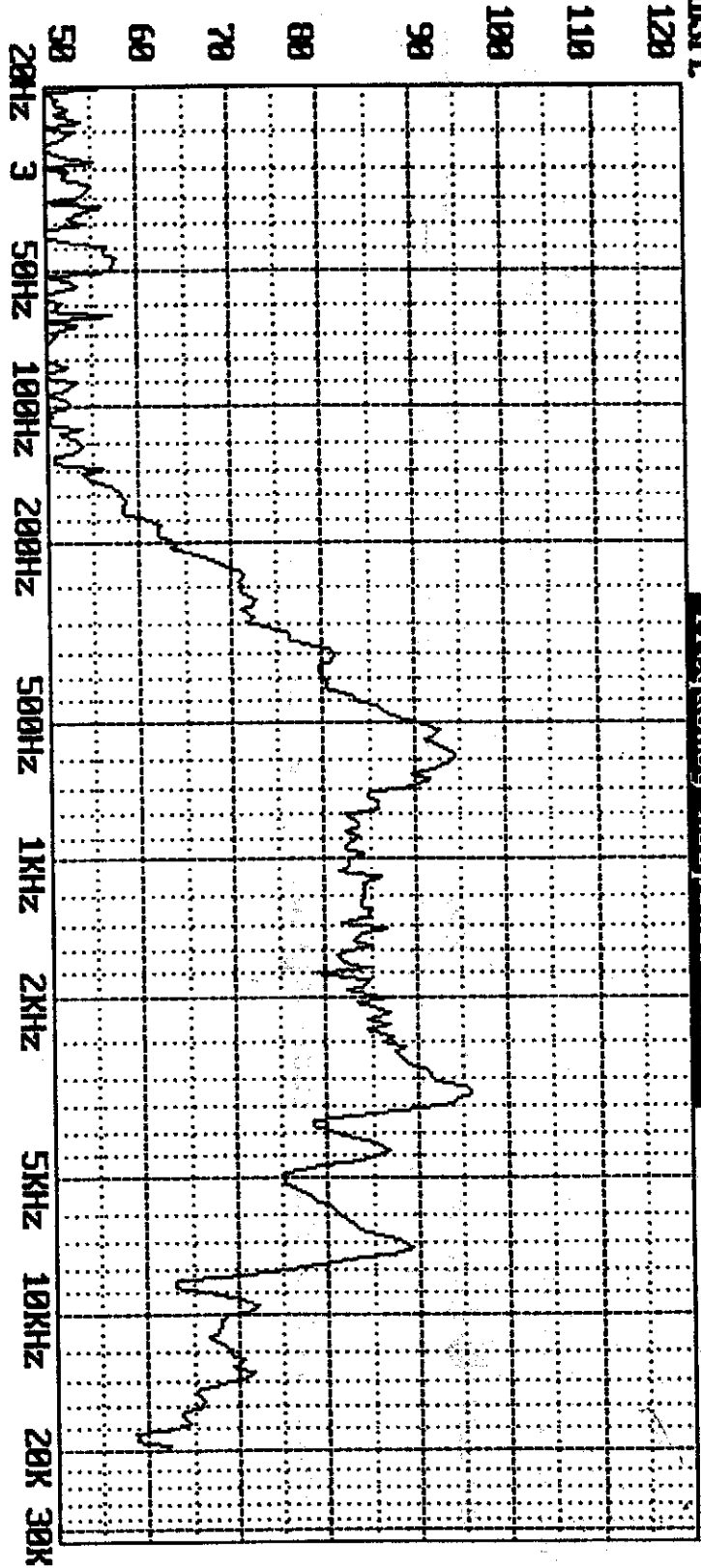


RoHS Tape
(Right Top of Carton)

600 pcs/Carton
6 TRAY(385*325*370)

Firm: OBO Model: OBO-5000BF-01 DATE: 09-15-2006 TIME: 15:01:26
 1000Hz Sens. = 82.7dB SPL Pass F.R.: Pass DCR: 7.96dB Pass
 Average SPL: 84.2dB SPL Pass (1000:1200:1500: 2000Hz) Sweep Speed: 1/24 Oct.

dBSPL



B 6.11

Voltage applied for F.R. = 1.420V Start F. = 20Hz Stop F. = 20000Hz
 Measuring Distance = 0.50M

Mfg.: Measured using Sunlight 1600; Fax: 886-2-22230727