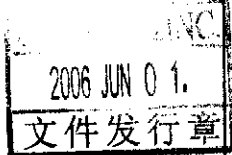




**MODEL NO : OBO-35008K-01**

Features:Conformity RoHS Directive(2002/95/EC) Requests.(\*)

**1. General Specifications**

Items	Spec.
Magnet	Materials NdFeB Size: $\phi 8.0 \times 1.3$ mm.
Weight	Approx 2.6 Grams
Nominal Impedance	8 Ohm $\pm$ 15% At 1200 Hz / 1.0V
Power Rating	Normal 1.0W. Maximum 2.0 W.
Lowest Resonant Frequency	600 $\pm$ 150 Hz.
Output Sound Pressure Level (S.P.L)	81 $\pm$ 3dB /1.0W 0.5Meter Average at 1000,1200,1500,2000Hz Measuring device:see Item 4.(Secundum IEC-268-5 Statute)
Frequency Range	450 ~ 20,000 Hz. Average SPL-10 dB.
Distortion	5% Maximum At 1000 Hz. 1.0W.
Abnormal Sound Test	Must be Normal Tested by 2.83Volts. Sine Wave.
Polarity	Diaphragm shall move Forward when Apply a Positive DC Current to the "+" or "Marked" Terminal.
Operating Temperature	-25°C to +50°C
Storage Temperature	-25°C to +55°C

**2. Environmental Test**

Humidity Test	High Temperature	:	+40°C $\pm$ 3°C
	Relative Humidity	:	90% ~ 95%
	Duration	:	96 Hours
	Duration of recovery	:	6 Hours
Temperature Cycle Test	Temperature	:	+55°C $\rightarrow$ +25°C $\rightarrow$ -25°C $\rightarrow$ +25°C
	Duration	:	1Hour 1Hour 1Hour 1Hour
	Cycle	:	3 Cycles
Vibration Test	Vibration Direction	:	3 axes
	Mounting	:	Unit Shall Be Rigidly Restrained On The Table
	Frequency	:	1,000 Cycle/Minute
	Amplitude	:	1.5m/m
	Endurance	:	1 Hour in Each Plane
	Duration of Transfer Time	:	Less Than 5Minutes
Load Test	White Noise With Weighted Filter 2.83 Volts.(RSM) 100 Hrs. 20~20,000Hz Resonant Frequency.		
Drop Test	70cm Free Falling On Concrete Floor, with 10 times.		

**OBO Pro.2**

**SPECIFICATIONS**

**MODEL NO.**  
OBO-35008K-01

**PART NAME**  
DYNAMIC SPEAKER

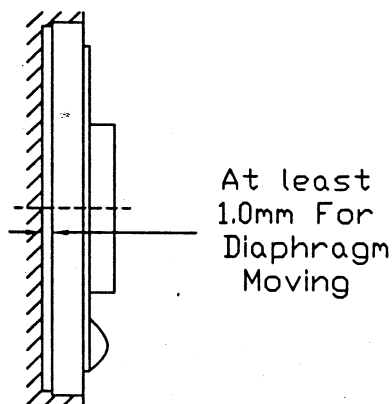
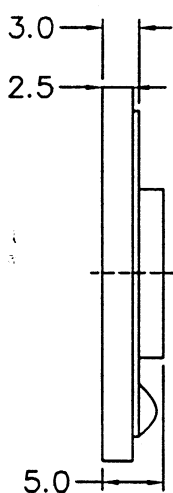
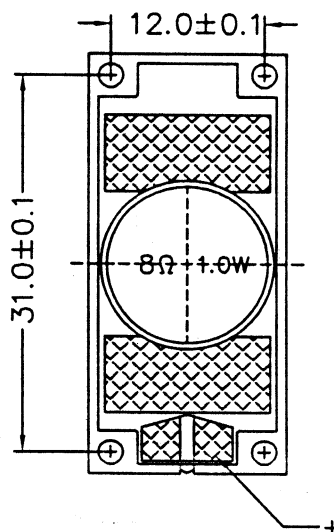
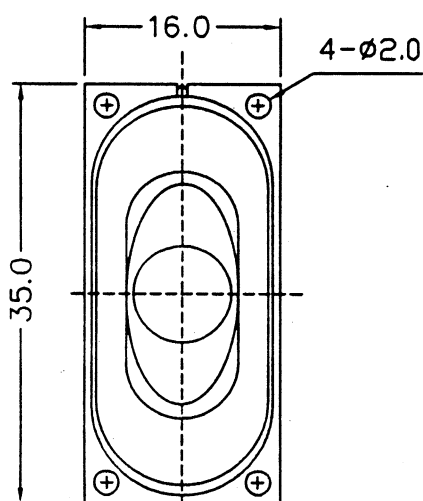
**SHEET**  
3 OF 7

**3. Mechanical Layout And Dimensions**

OBO PRO 2 INC  
2006 JUN 09.  
文件发行章

3.1 Dimensions

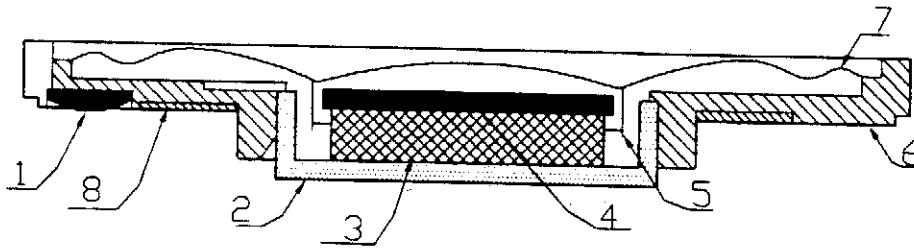
Unit:mm Tolerance:±0.2



※1 PCB Soldering Temperature 380° Max For 3 Seconds.

OBO PRO.2 INK  
2006 JUN 0 1.  
文件发行章

3.2 Construction Diagram

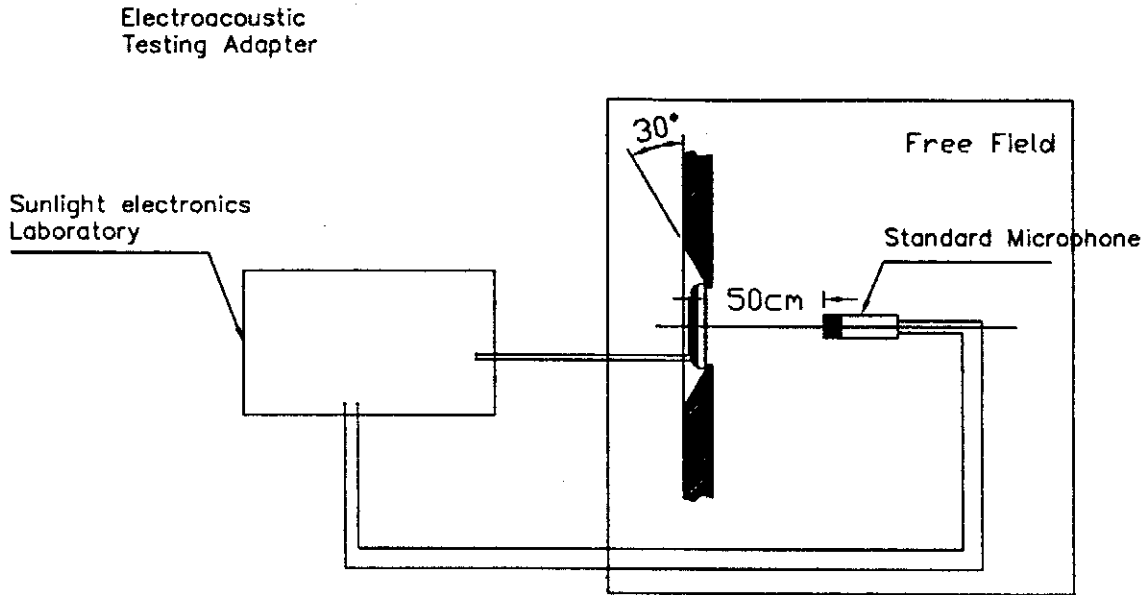


NO	PART NAME	MATERIAL	Q'TY
8	CLOTH	CLOTH	1
7	DIAPHRAGM	SILK	1
6	PLASTICS CASE	ABS	1
5	VOICE COIL	DIA 8.8mm	1
4	WASHER	SPCC	1
3	MAGNET	NdFeB	1
2	YOKE	SPCC	1
1	TERMINAL	P.C.B	1
NO	PART NAME	MATERIAL	Q'TY

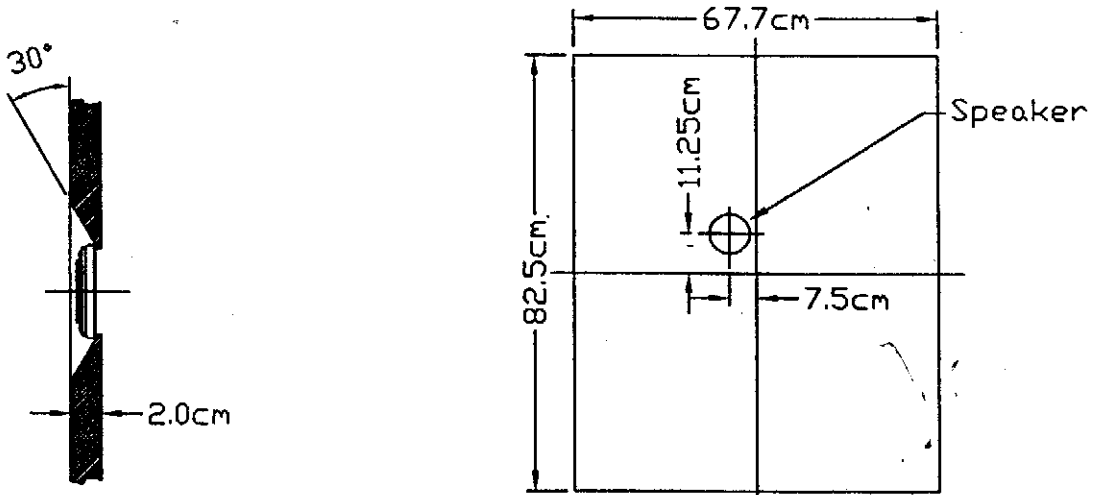
OBO PRO.2 INC.  
2006 JUN 0 1.  
文件发行章

### 4. Test Method

#### 4.1 Measurement Diagram



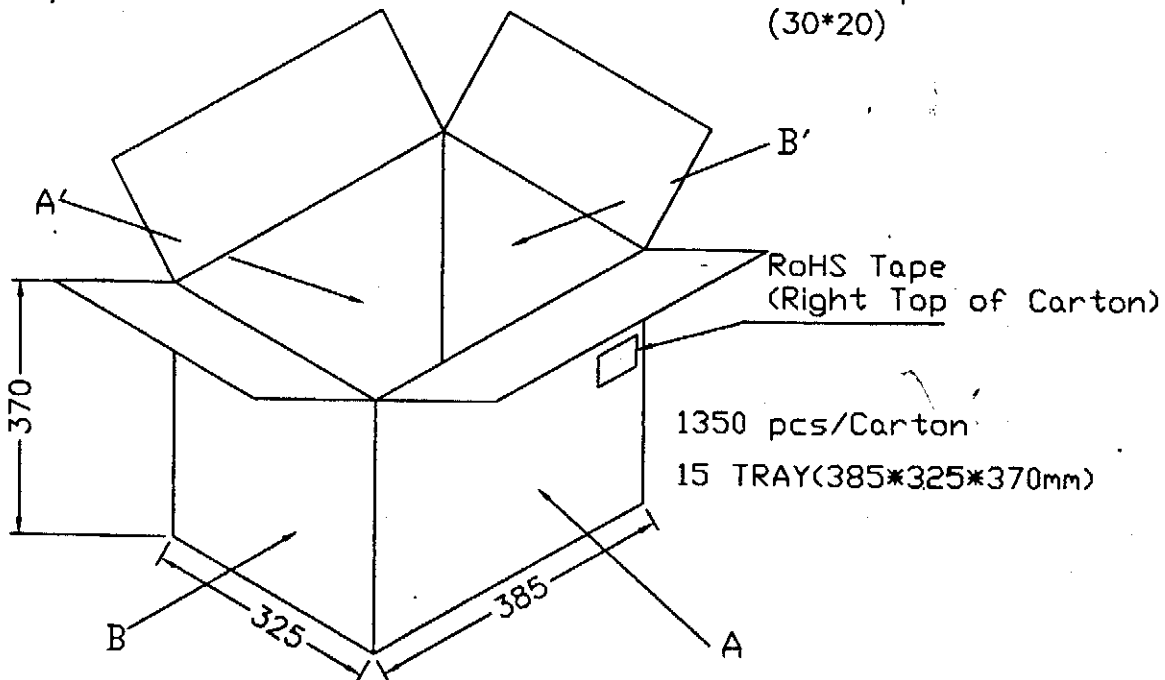
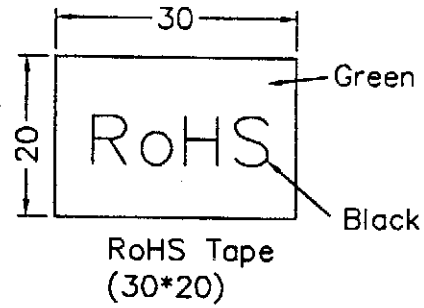
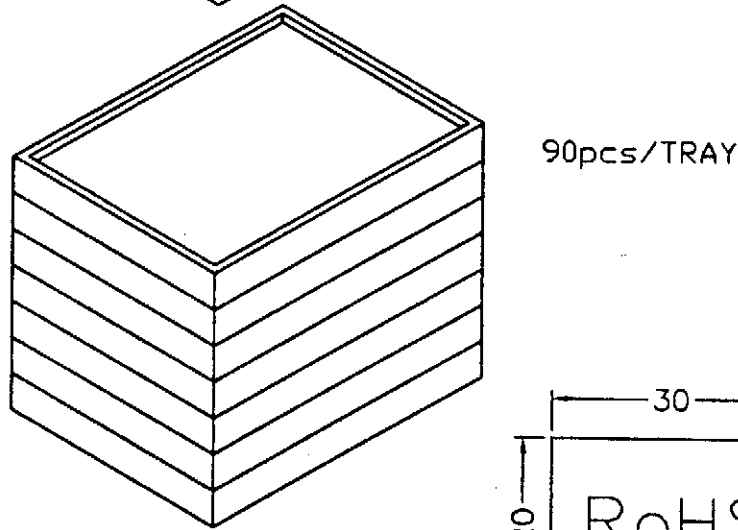
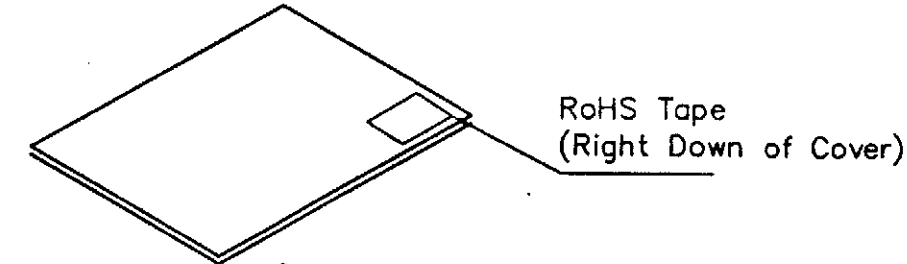
#### 4.2 Standard Baffle



※1 **5. Package**

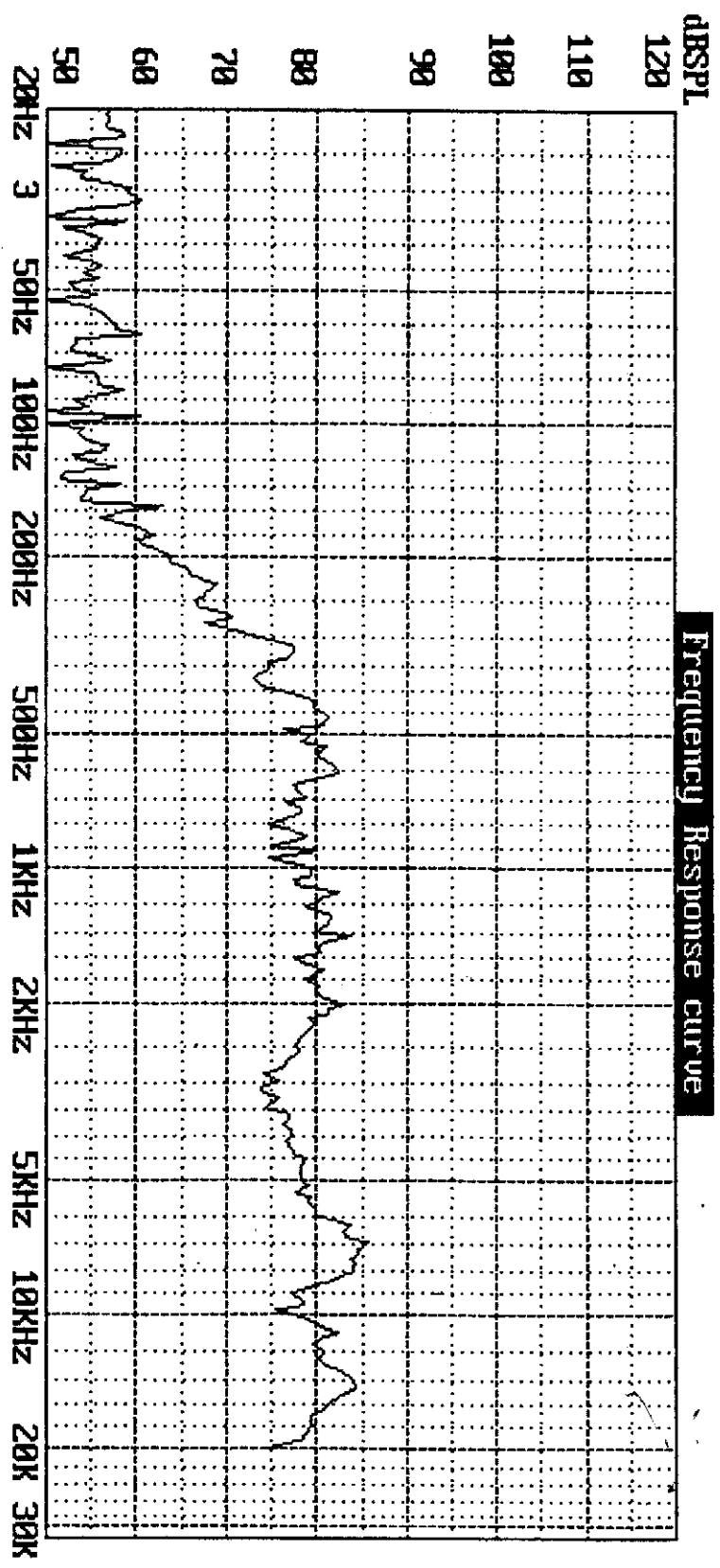
Unit:mm

OBO PRO.2 INC.  
2006 JUN 01.  
文件发行章



Firm: OBO-35008K-01 Model: OBO-35008K-01 DATE:05-11-2006 TIME:14:03:16  
 1000Hz Sens. = 79.7dB SPL Pass F.R.: Pass DCR: 0.070 Pass  
 Average SPL: 80.6dB SPL Pass (1000:1200:1500:2000Hz) Sweep Speed: 1/24 Oct.

B 6.11



Voltage applied for F.R. = 2.830V Start F. = 20Hz Stop F. = 20000Hz  
 Measuring Distance = 0.01M

Mfg.: Measured using Sunlight 1600; Fax:886-2-22230727

4