



SPECIFICATIONS

MODEL NO  
OBO-30AX1

PART NAME  
SMD-Electromagnetic Transducer

SHEET  
1 OF 6

ALTERNATION HISTORY

Marking	Date	ECN NO.	REV.	Description	Page	PREPARE BY	APPROVE BY
--	OCT.18,2010	---	暫定	New document	6	王志偉	謝明福

REV.	DATE	PREPARED BY	CHECKED BY	APPROVED BY
暫定	OCT.18,2010	王志偉	謝明福	謝明福



## SPECIFICATIONS

MODEL NO  
OBO-30AX1

PART NAME  
SMD-Electromagnetic Transducer

SHEET  
2 OF 6

### MODEL NO : OBO-30AX1

Features:

Conformity RoHS Directive(2002/95/EC) Requests.

#### 1. General Specifications

	Items	Specification
1.1	※Sound Pressure Level	70 dB min./10cm/DC 3.0V
1.2	Rated Voltage	DC 3.0V
1.3	Resonant Frequency	4000Hz
1.4	※Rated Current	100 mA max./DC 3.0V
1.5	Coil Resistance	12 ± 2 Ω
1.6	Operating Voltage	DC 2 to 5 V
1.7	Housing Material	LCP
1.8	Leading Pin Material	Tin Plated Brass(Sn)
1.9	Operating Temp. Range	-40°C to +85°C
1.10	Storage Temp Range	-40°C to +85°C
1.11	Weight	0.3 gms

#### 2. Standard State

##### 2.1 Standard State

Ordinary Temperature	15°C to 35°C
Ordinary Humidity	60% to 70%
Ordinary air pressure	860 to 1060hPa

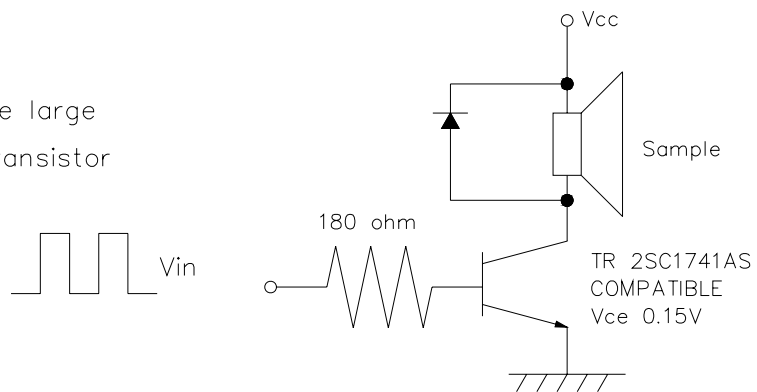
##### 2.2 Basic State

Temperature	20±2°C
Humidity	60% to 70%
Ordinary air pressure	860 to 1060hPa

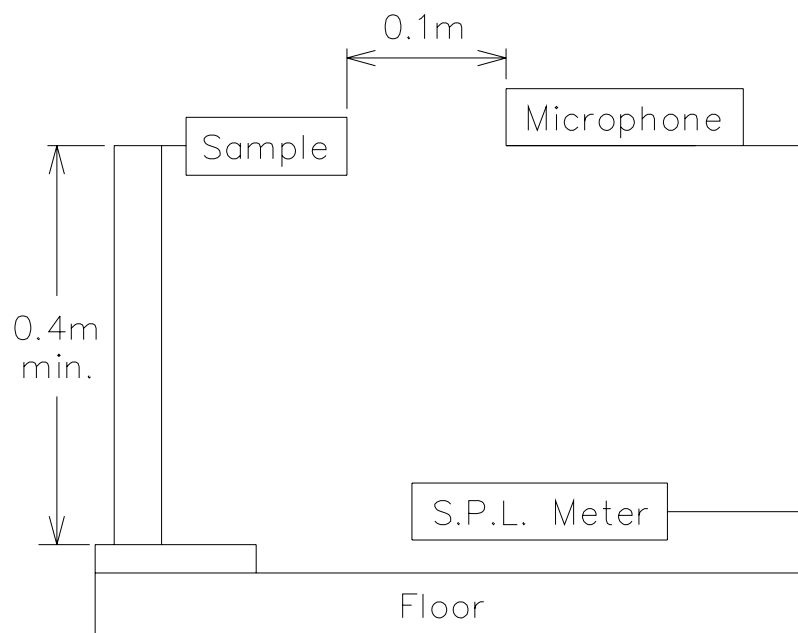
### 3. Test method

#### 3.1 Standard Drive Circuit

Signal amplitude should be large enough to saturate the transistor which drives the buzzer.



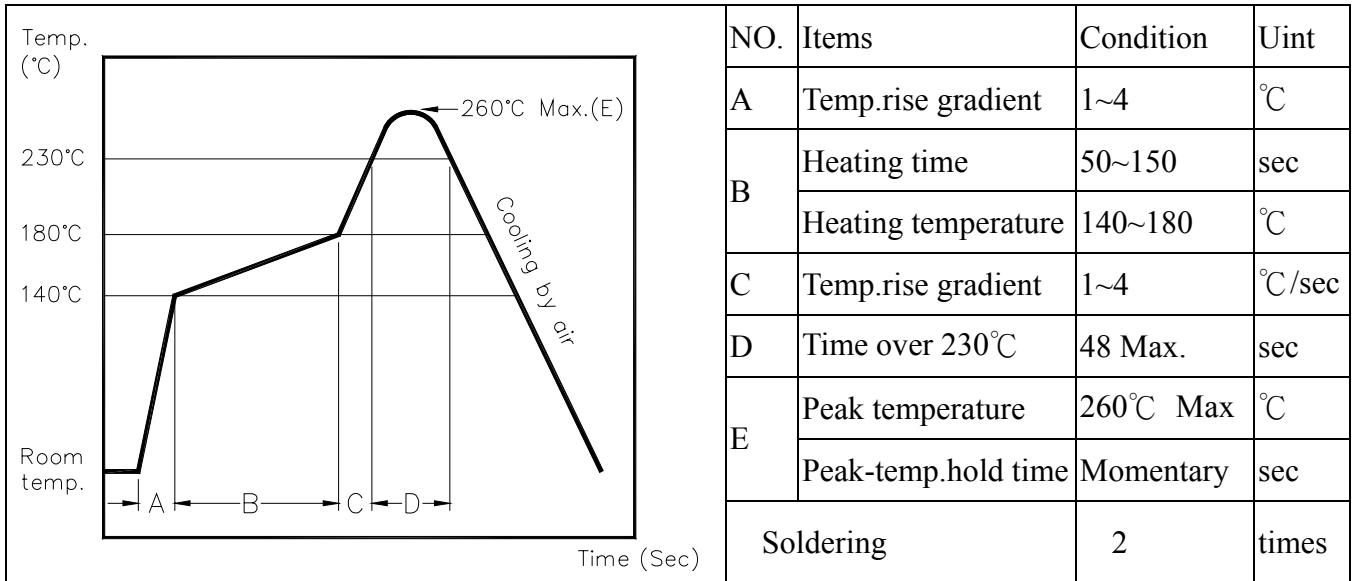
#### 3.2 Standard Test Fixture



### 4. Soldering Condition

#### 4.1 Reflow Soldering

Recommendable reflow soldering condition is as follows.



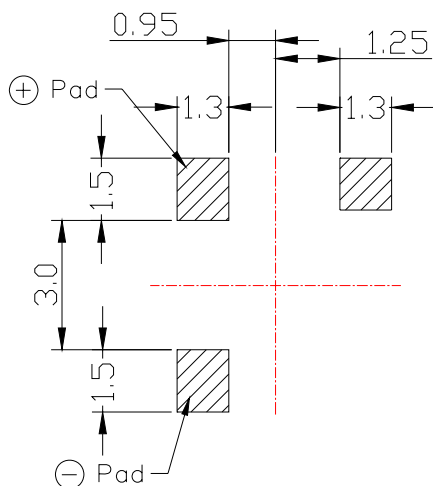
Note :

It is requested that second reflow soldering should be executed after heat of product goes down to normal temperature.

#### 4.2 Hand Soldering

Soldering iron temperature 380°C less than 3 second.

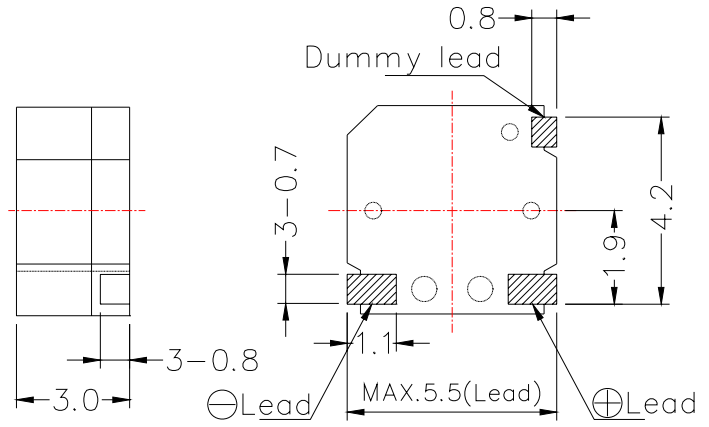
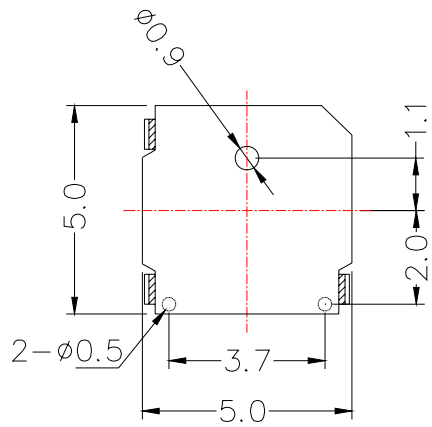
#### 4.3 Soldering Pattern



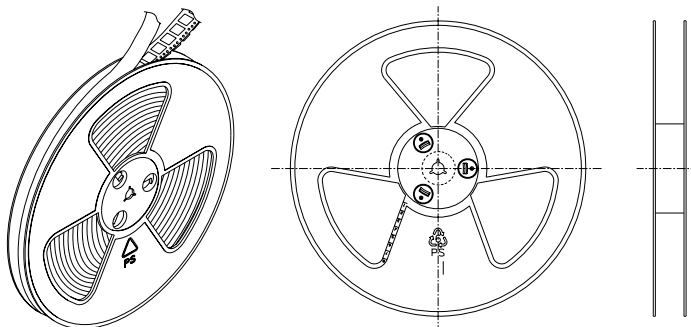
### 5. Mechanical Layout and Dimensions

#### 5.1 Dimensions

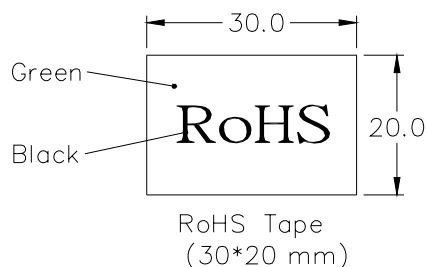
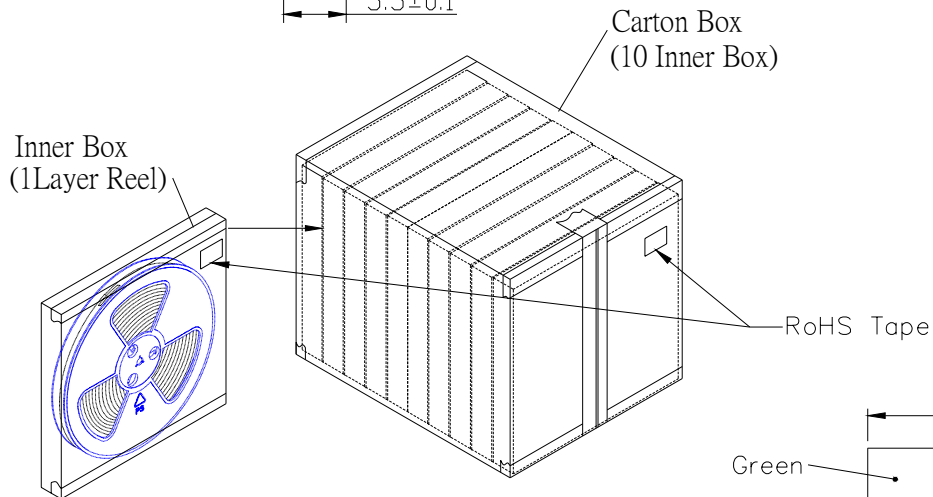
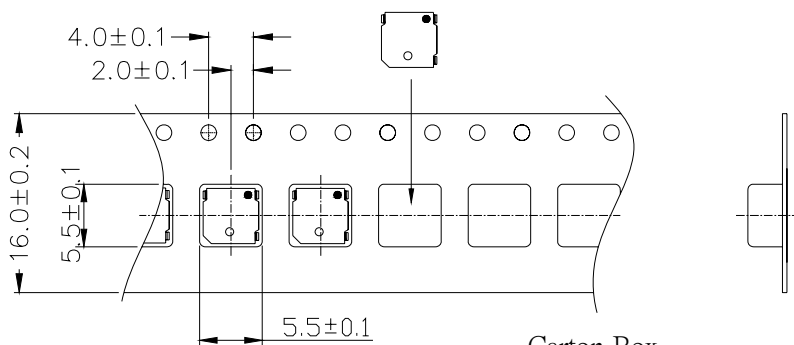
Tolerance:  $\pm 0.5\text{mm}$     Uint: mm



6.Packing



1 Reel : 2000PCS



Inner Box	1x2000PCS=2000PCS
Carton Box	10x2000PCS=20,000PCS