

| | | |
|------------------|------------------------------|----------------------------|
| OBO Pro.2 | SPECIFICATIONS | MODEL NO. OBO-28008F-01 |
| | PART NAME DYNAMIC SPEAKER | SHEET 1 OF 6 |

ALTERNATION HISTORY

| Marking | Date | ECN. NO. | REV. | Description | Page | PREPARE BY | APPROVE BY |
|---------|-----------|----------|------|--|------|------------|-------------------|
| ※1 | MAR,21'06 | 0603010 | E | 1.Conformity RoHS Directive (2002/95/EC) Requests. | 6 | 簡沛玲 | 葉可強 06 3/27/06 |
| | | | | | | | |

| REV. | DATE | PREPARED BY | CHECKED BY | APPROVED BY |
|------|-------------|-------------|------------|-------------------|
| E | MAR,21,2006 | PEI LING | 馮仁如 | 葉可強 06 3/27/06 |

| | | |
|------------------|------------------------------|----------------------------|
| OBO Pro.2 | SPECIFICATIONS | MODEL NO. OBO-28008F-01 |
| | PART NAME DYNAMIC SPEAKER | SHEET 2 OF 6 |

MODEL NO : OBO-28008F-01

Features :Conformity RoHS Directive (2002/95/EC) Requests. ^{※1}

1. General Specifications

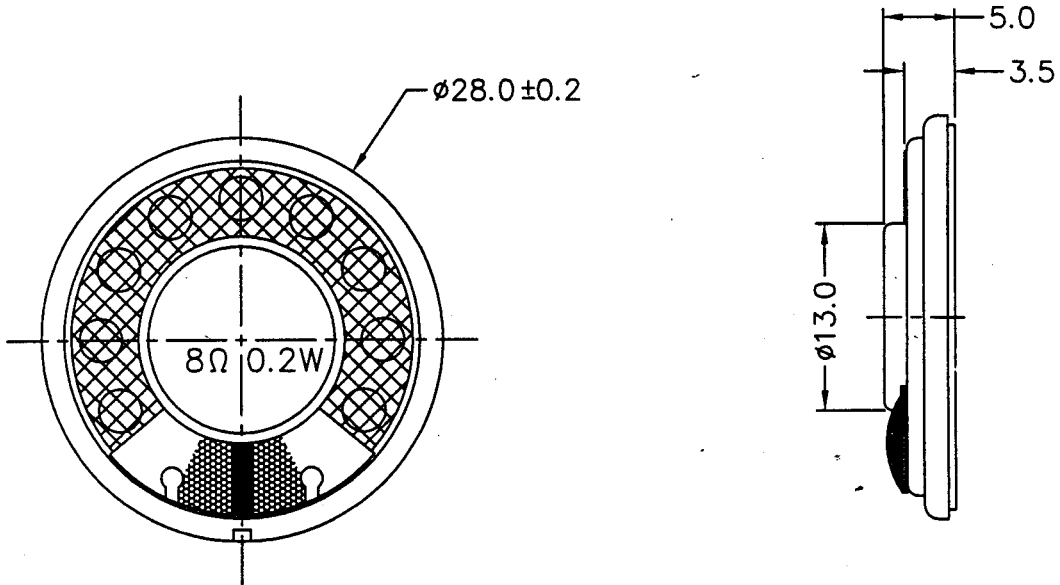
| Items | Spec. |
|-------------------------------------|--|
| Magnet | Materials NdFeB Size: ϕ9.5X1.5 mm. |
| Weight | Approx 6.0 Grams |
| Nominal Impedance | 8 Ohm ± 20% At 1200 Hz / 1.0V |
| Power Rating | Normal 0.2 W. Maximum 0.5 W. |
| Lowest Resonant Frequency | 650 ± 150 Hz. |
| Output Sound Pressure Level (S.P.L) | 81 ± 3dB /0.2W 0.5Meter Average at 1000,1200,1500,2000Hz Measuring device:see Item 4.(Secundum IEC-268-5 Statute) |
| Frequency Range | 350 ~ 6,500 Hz. Average SPL-10 dB. |
| Abnormal Sound Test | Must be Normal Tested by 1.26Volts. Sine Wave. |
| Polarity | Diaphragm shall Move Forward when Apply a Positive DC Current to the"+" or "Marked" Terminal. |
| Operating Temperature | -25° C ~ +50° C |
| Storage Temperature | -25° C ~ +55° C |

2. Environmental Test

| | |
|------------------------|--|
| Humidity Test | High Temperature : +40°C±3°C Relative Humidity : 90% ~ 95% Duration : 96 Hours Duration of recovery : 6 Hours |
| Temperature Cycle Test | Temperature : +55°C → +25°C → -25°C → +25°C Duration : 1Hour 1Hour 1Hour 1Hour Cycle : 3 Cycles |
| Vibration Test | Duration : 3 axes Mounting : Unit Shall Be Rigidly Restrained On The Table Frequency : 1000 Cycle/Minute Amplitude : 1.5m/m Endurance : 1 Hour in Each Plane Duration of Transfer Time: Less Than 5Minutes |
| Load Test | White Noise With Weighted Filter 1.26 Volts.(RSM) 100Hrs. 20~20,000Hz Resonant Frequency. |
| Drop Test | 75cm Free Falling On Concrete Floor, with 10 times. |

| | | |
|------------------|-------------------------------------|-----------------------------------|
| OBO.Pro.2 | SPECIFICATIONS | MODEL NO. OBO-28008F-01 |
| | PART NAME DYNAMIC SPEAKER | SHEET 3 OF 6 |

3. Dimensions



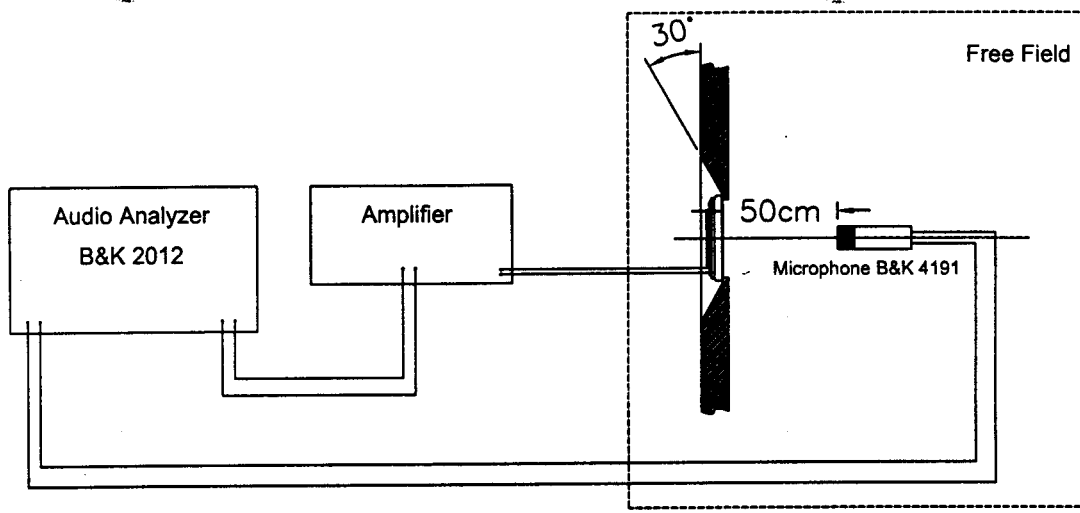
Unit: mm Tolerance: ± 0.3

※1 PCB Soldering Temperature 280°C~320°C With 3 Seconds.

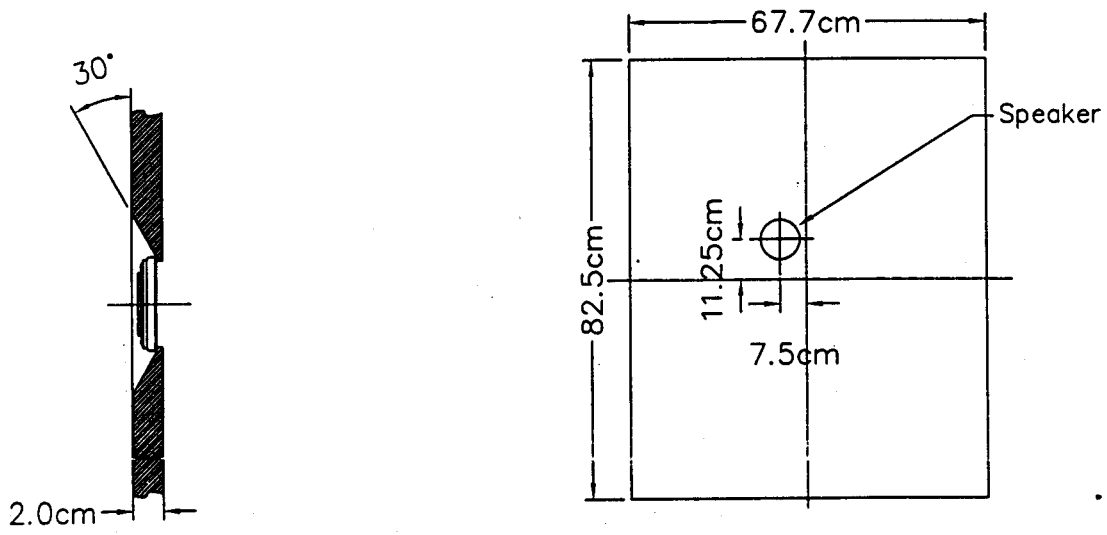
| | | |
|------------------|-------------------------------------|-----------------------------------|
| OBO Pro.2 | SPECIFICATIONS | MODEL NO. OBO-28008F-01 |
| | PART NAME DYNAMIC SPEAKER | SHEET 4 OF 6 |

4. Test Method

4.1 Measurement Diagram

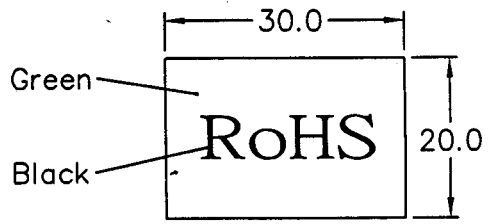
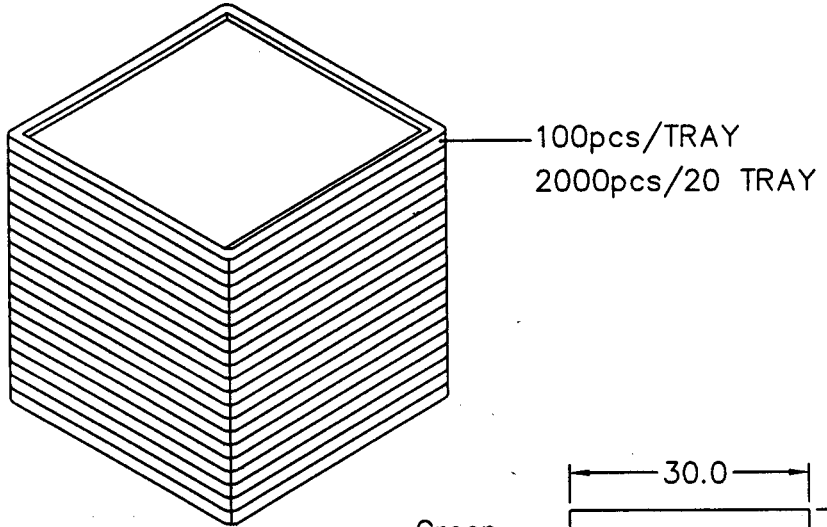
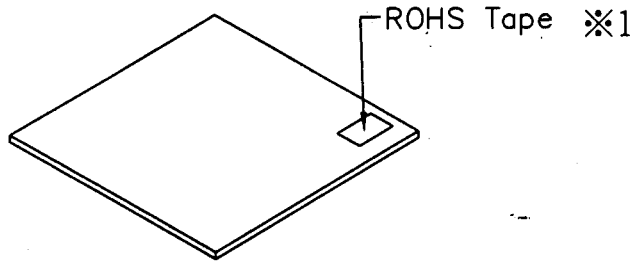


4.2 Standard Baffle

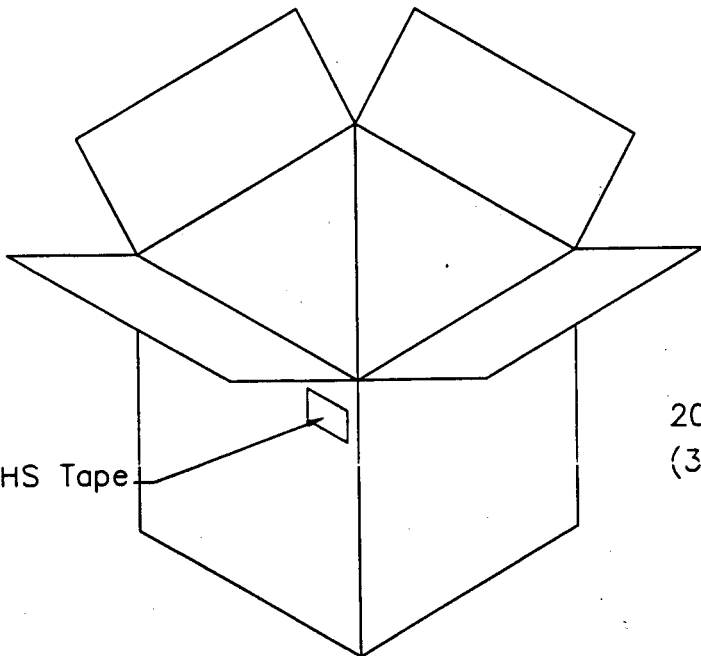


| | | |
|------------------|-------------------------------------|-----------------------------------|
| OBO Pro.2 | SPECIFICATIONS | MODEL NO. OBO-28008F-01 |
| | PART NAME DYNAMIC SPEAKER | SHEET 5 OF 6 |

5. Package



RoHS Tape
(30*20 mm) ※1



2000 pcs / Carton
(370*365*370cm)

