

DBD Pro2

SPECIFICATIONS

PART NAME
DYNAMIC SPEAKER

MODEL NO
DBD-200225-01
DBD PPA-2 INC.
SHEET
1 OF 6
2008 DEC 12

零件发行

ALTERNATION HISTORY

Marking	Date	ECN NO.	REV.	Description	Page	PREPARE BY	APPROVE BY
※1	DEC,06'08	DG0812005	E	Change to RoHS Type	6		Josari

REV.	DATE	PREPARED BY	CHECKED BY	APPROVED BY
E	DEC,06'2008			Josari

OBO Pro.2**SPECIFICATIONS**PART NAME
DYNAMIC SPEAKEROBO PRO.2 INC.
MODEL NO :
OBO-20032F-01
文 件 号 :
OBO-20032F-01
2 OF 6

MODEL NO : OBO-20032F-01

Features:Conformity RoHS Directive(2002/95/EC) Requests. (※1)

1. General Specifications

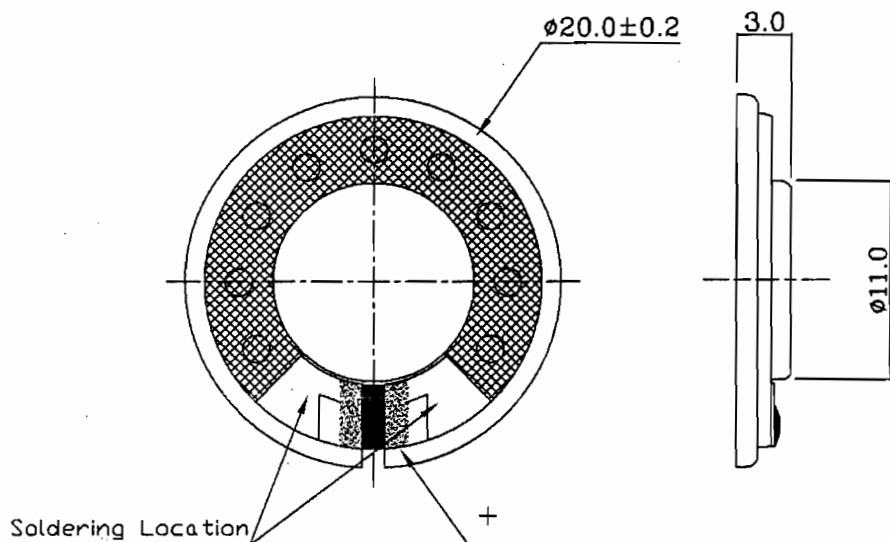
Items	Spec.
Magnet	Materials Rare Earth Size: Φ8.0X1.0mm
Weight	Approx 2.3 Grams
Nominal Impedance	32 Ohm±15% At 1400 Hz /1.0V
Power Rating	Normal 200mW. Maximum 300mW.
Lowest Resonant Frequency	650±150Hz.
Output Sound Pressure Level (S.P.L)	76±3dB /0.2W/0.5Meter (Secundum IEC-268-5 Statute) Average at 1000,1200,1500,2000Hz.
Frequency Range	400 ~ 6,500 Hz. Average SPL -10dB.
Distortion	5% Maximum At 1200Hz/0.2W
Abnormal Sound Test	Must be Normal Tested by 2.53Volts. Sine Wave.
Polarity	Diaphragm shall move Forward when Apply a Positive DC Current to the "+" or "Marked" Terminal.
Operating Temperature	-25°C to +50°C
Storage Temperature	-25°C to +55°C

2. Environmental Test

Humidity Test	Temperature:	+40°C±3°C
	Relative Humidity:	90% ~ 95%
	Duration:	96 Hours
	Duration of recovery:	6 Hours
Temperature Cycle Test	Temperature:	+55°C→+25°C→-25°C→+25°C
	Duration:	1Hour 1Hour 1Hour 1Hour
	Cycle:	3 Cycles
Vibration Test	Vibration Direction:	3 axes
	Mounting:	Unit Shall Be Rigidly Restrained On The Table
	Frequency:	1,000 Cycle/MinuteAmplitude
	Endurance:	1 Hour in Each Plane
	Duration of Transfer Time:	Less Than 5Minutes
Load Test	White Noise With Weighted Filter 2.53 Volts.(RMS) 100 Hrs. 20~20,000Hz Resonant Frequency.	
Drop Test	70cm Free Falling On Concrete Floor, with 10 times.	

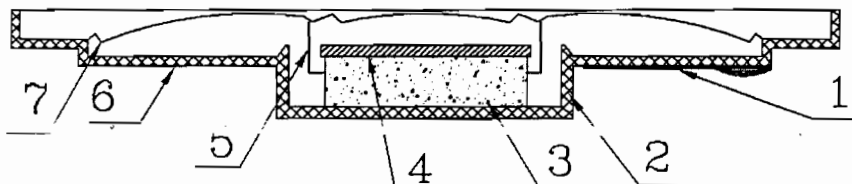
3. Mechanical Layout And Dimensions

3.1 Dimensions



Unit: mm Tol: ± 0.3

3.2 Construction Diagram

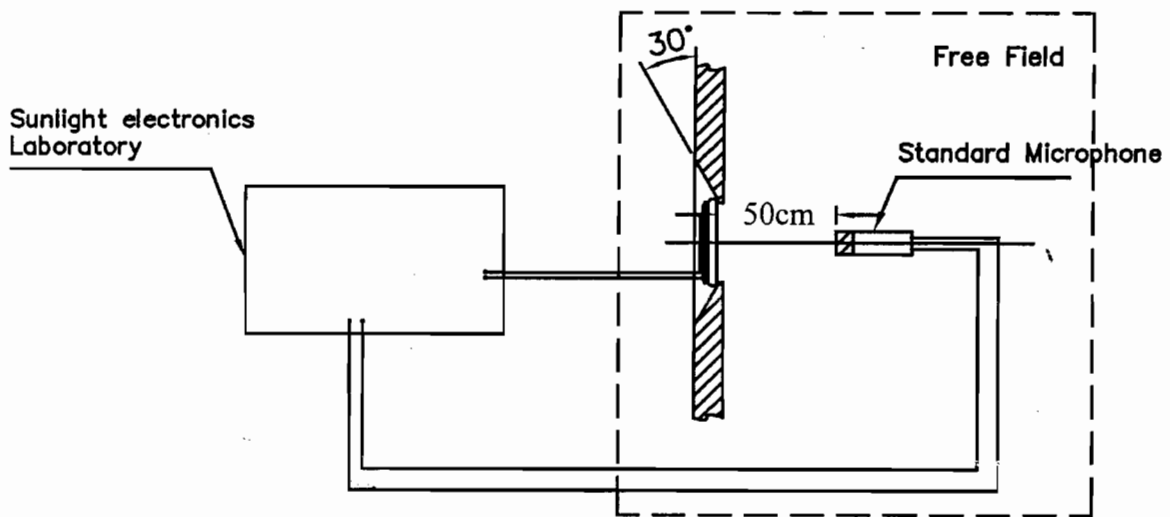


7	DIAPHRAGM	MYLAR	1
6	CLOTH	CLOTH	1
5	VOICE COIL	DIA 8.8mm	1
4	WASHER	SPCC	1
3	MAGNET	NdFeB	1
2	YOKE	SPCC	1
1	TERMINAL	P.C.B	1
NO	PART NAME	MATERIAL	Q'TY

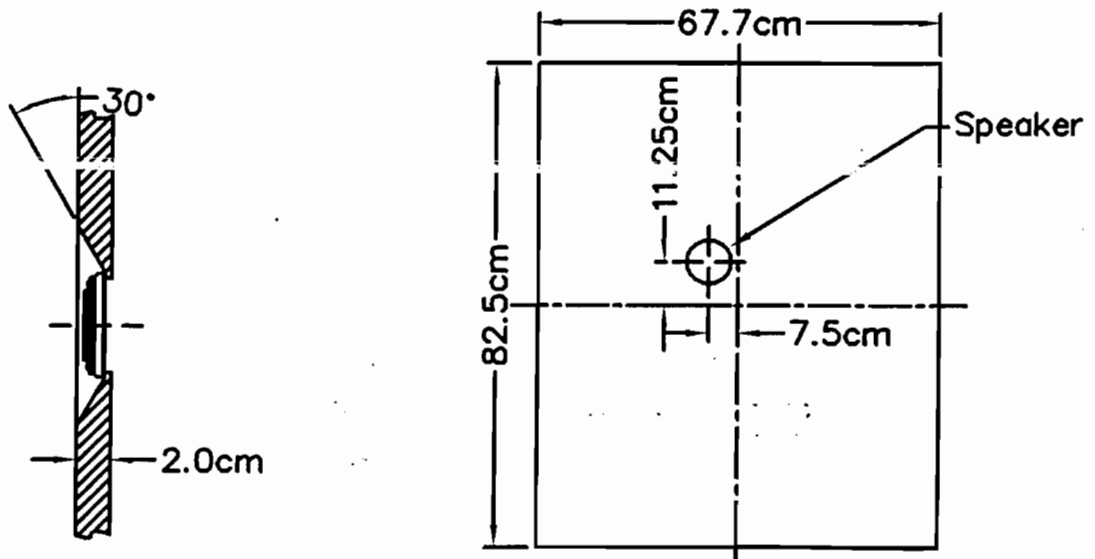
4. Test Method

4.1 Measurement Diagram

Electroacoustic
Testing Adapter



4.2 Standard Baffle



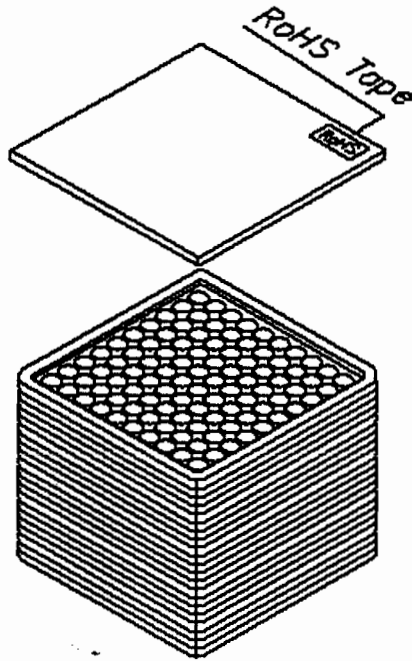
OBO Pro.2

SPECIFICATIONS

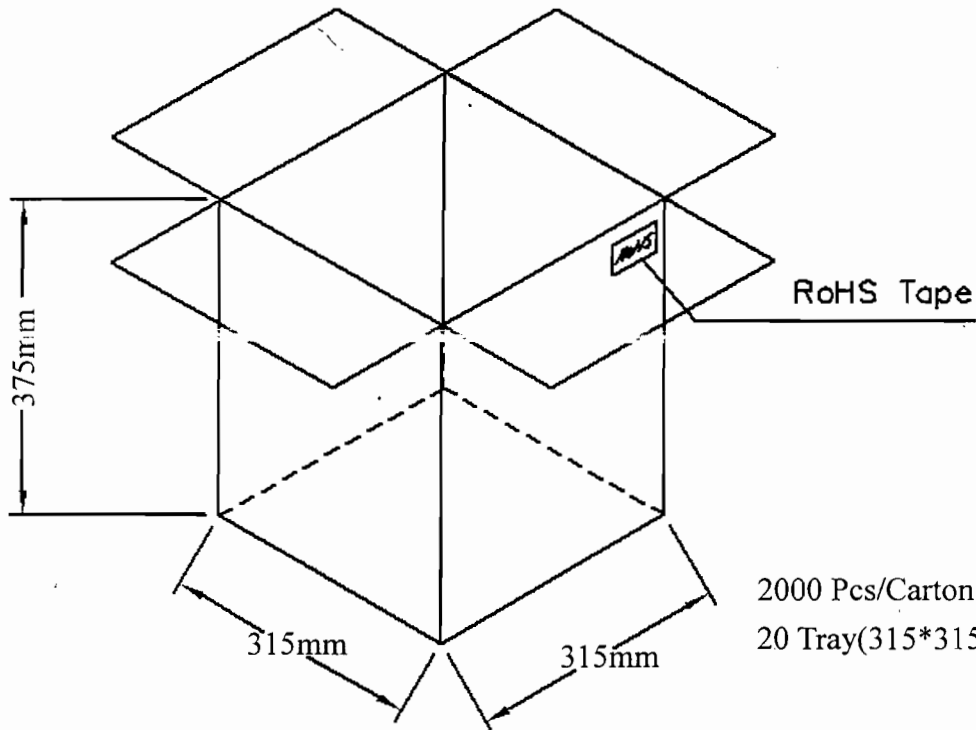
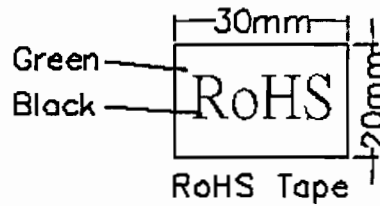
PART NAME
DYNAMIC SPEAKER

MODEL NO
OBO-20032-INC.
SHEET
5 OF 6
文件发行章

5.Packing(※1)



100Pcs/Tray



2000 Pcs/Carton
20 Tray(315*315*375mm)

OBO Pro.2

SPECIFICATIONS

PART NAME
DYNAMIC SPEAKER

MODEL NO

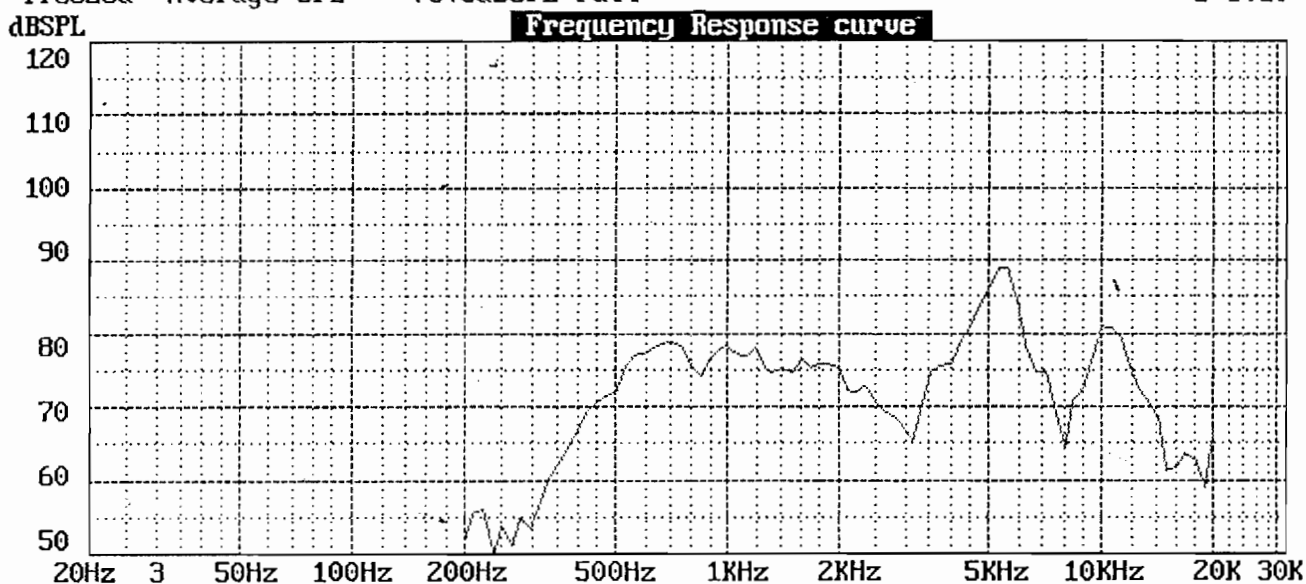
OBO-20032F-INC.

SHEET
2008 DEC 12
6 OF 6

文件发行章

6. Frequency Response Curve

Firm: Model:20032F-01 DATE:11-09-2008 TIME:09:23:55
1000Hz Sens.= 78.3dB SPL Fail F.R.: Fail DCR: 31.3Ω Fail
Average SPL: 76.5dB SPL Fail (1000:1200:1500:2000Hz) Sweep Speed: 1/12 Oct.
Freezed 1000Hz Sens.= 78.3dB SPL Fail F.R.: Fail DCR: 31.3Ω Fail
Freezed Average SPL = 76.5dB SPL Fail B 6.10



Voltage applied for **F.R.** = 2.530V **Start F.** = 200Hz **Stop F.** = 20000Hz
Measuring Distance = 0.50M

Mfg.:

Measured using Sunlight 1600; Fax:886-2-22230727