

OBO Pro.2	SPECIFICATIONS	MODEL NO. OBO-15240PB
	PART NAME Piezoelectric Buzzer	SHEET 1 OF 7

ALTERNATION HISTORY

Marking	Date	ECN. NO.	REV.	Description	Page	PREPARE BY	APPROVE BY
※1	JUN.23'05	0506003	F	Conformity RoHS Directive (2002/95/EC) Requests.	7	簡沛聆	DARREN
※2	SEP.21'06	0609004	G	Change RoHS label.	5,6	林達台	林達台

REV.	DATE	PREPARED BY	CHECKED BY	APPROVED BY
G	SEP,21,2006	Eileen	林達台	林達台

OBO.Pro.2®	SPECIFICATIONS	MODEL NO. OBO-15240PB
	PART NAME Piezoelectric Buzzer	SHEET 2 OF 7

MODEL NO : OBO-15240PB

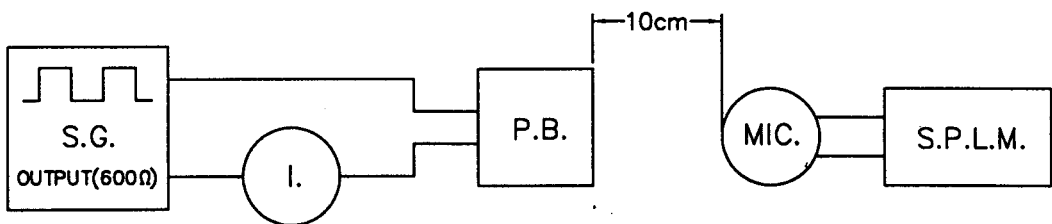
Features : External drive & lead pin type
Conformity RoHS Directive (2002/95/EC) Requests. ※1

1. General Specifications :

	Items	Specification
1.1	Sound Pressure Level	80dB min. at 4.0KHz/9Vp-p Square Wave/10cm
		70dB min. at 4.0KHz/1Vrms Sine Wave/10cm
1.2	Capacitance	14000pF ± 30% at 120Hz
1.3	Current Consumption	3mA max. at 4.0KHz/9Vp-p Square Wave
1.4	Allowable Input Voltage	30Vp-p max.
1.5	Case Material	Top Case:PC(UL 94V-2),Bottom Case:PBT(UL 94V-0)
1.6	Lead Pin Material	Phosphor Bronze (Sn Plated)
1.7	Operating Temp. Range	-20°C to +70°C
1.8	Storage Temp. Range	-40°C to +85°C
1.9	Weight	1.5 gms

2. Test Method :

2.1 Standard Test Diagram



- S.G. : GAG-808G Audio Generator or Equivalent
- S.P.L.M. : Sound Pressure Level Meter IEC651 TYPE2
- I. : GDM-8145 Multimeter or Equivalent
- P.B. : Piezoelectric Buzzer

Note: please pay attention never to be applied DC voltage to piezo sounder

OBO Pro.2	SPECIFICATIONS	MODEL NO. OBO-15240PB
	PART NAME Piezoelectric Buzzer	SHEET 3 OF 7

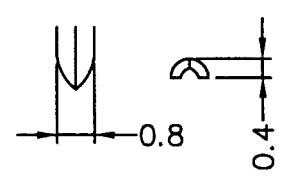
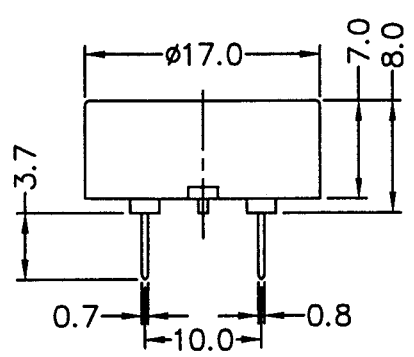
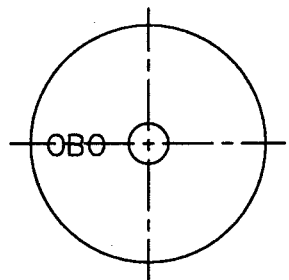
2.2 Standard Test Condition

Part shall be measured under a condition
(Temperature : +5 to +35°C, Humidity : 45% to 85%R.H.)
unless the standard condition.(Temperature : +25±3°C,
Humidity : 60±10%R.H.) is regulated to measure.

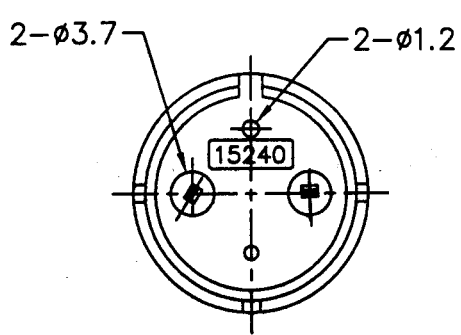
3. Mechanical Layout and Dimensions :

3.1 Dimensions

Tolerance: ±0.5 mm except specified Unit: mm



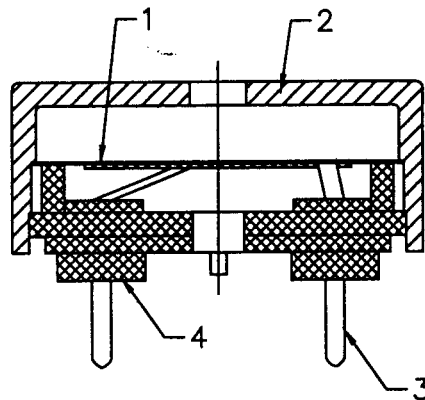
Pin Terminal



OBO Pro.2®	SPECIFICATIONS	MODEL NO. OBO-15240PB
	PART NAME Piezoelectric Buzzer	SHEET 4 OF 7

※1
3.2 Material List

We Hereby Certificate That Our Product Meet With ROHS Request And The Details As Below.



No.	Part Name	Material	Hazardous Substances Limit (ppm)						Q'TY
			Pb	Cd	Hg	Cr+6	PBBs	PBDE	
1	Piezoelectric Diaphragm	ceramics & Brass	----	----	----	----	----	----	1
2	Top Case	PC	< 100	< 5	< 5	< 100	< 5	< 5	1
3	Pin	Brass	< 40000	< 75	< 8	< 1000	----	----	2
4	Bottom Case	PBT	< 100	< 5	< 5	< 100	< 5	< 5	1

Note : (1) ppm = mg/kg (2) "----" = Not Applicable.

3.3 Environment-related substances to be controlled ※1

3.3.1 Piezoelectric Ceramic Disc.

RoHs Annex :

Application of lead, mercury, cadmium and hexavalent chromium, which are exempted from the requirement of article 4(1).

* Lead in electronic ceramic parts.(e.g. piezoelectronic devices).

OBO Pro.2®	SPECIFICATIONS	MODEL NO. OBO-15240PB
	PART NAME Piezoelectric Buzzer	SHEET 5 OF 7

3.3.2 Brass Plate.

RoHs Annex :

Lead in an alloying element in steel containing up to 0.35% lead by weight, aluminium containing up to 0.4% lead by weight and as a copper alloy containing up to 4.0% lead by weight.

4. Soldering Condition : ※2

4.1 Wave Soldering

Peak temperature	Dipping time	Soldering
+ 260°C	5 seconds	1 time

4.2 Hand Soldering

Iron Tip Temperature	Soldering time
+ 380°C Max.	Duration 3 seconds Max.

OBO Pro.2®	SPECIFICATIONS	MODEL NO. OBO-15240PB
	PART NAME Piezoelectric Buzzer	SHEET 6 OF 7

5. Packing Information :

