

OBO Pro.2[®]	SPECIFICATIONS	MODEL NO. OBO-14240PA
	PART NAME Piezoelectric Buzzer	SHEET 1 OF 5

ALTERNATION HISTORY

Marking	Date	ECN NO.	REV.	Description	Page	PREPARE BY	APPROVE BY
※1	JAN,08'07	0612011	D	Conformity RoHS Directive (2002/95/EC) Requests.	5	林子藝	陳建合

REV.	DATE	PREPARED BY	CHECKED BY	APPROVED BY
D	JAN.08,2007	Eileen	陳建合	陳建合 1/8'07

OBO Pro.2	SPECIFICATIONS	MODEL NO. OBO-14240PA
	PART NAME Piezoelectric Buzzer	SHEET 2 OF 5

MODEL NO : OBO-14240PA

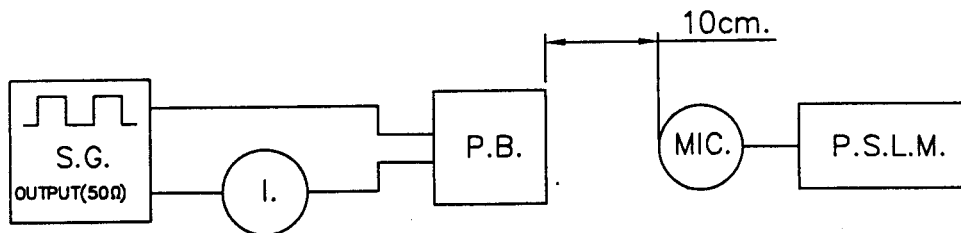
Features : External drive & lead pin type ※1
Conformity RoHS Directive (2002/95/EC) Requests.

1. General Specifications :

Items:-	Spec:-
Sound Pressure Level	80dB Min. at 4.0KHz/9.0Vp-p SquareWave/10cm.
	70dB Min. at 4.0KHz/1Vrms Sine Wave/10cm.
Capacitance	10,000pF ± 30% at 120Hz
Current Consumption	3mA Max. at 4.0KHz/9.0Vp-p Square Wave
Allowable Input Voltage	15Vp-p Max.
Case Material	PBT (UL 94V0)
Operating Temp. Range	-20°C to +70°C
Storage Temp. Range	-40°C to +85°C
Weight	1.2 gms
Frequency Response	As Per Fig.1
Lase Pin Material	Bronze

2. Test Method:

2.1 Standard Test Diagram



- S.G. : GAG-8016G Function Generator or Equivalent
- MIC. : B&K-4176 Micphone or Equivalent
- P.S.L.M. : B&K-2232 Precision Sound Level Meter or Equivalent
- I. : GDM-8145 Multimeter or Equivalent
- P.B. : Piezoelectric Buzzer

Note: Please pay attention never to be applied DC voltage to piezo sounder

OBO Pro.2®

SPECIFICATIONS

MODEL NO.
OBO-14240PA

PART NAME
Piezoelectric Buzzer

SHEET
3 OF 5

2.2 Standard Test Condition

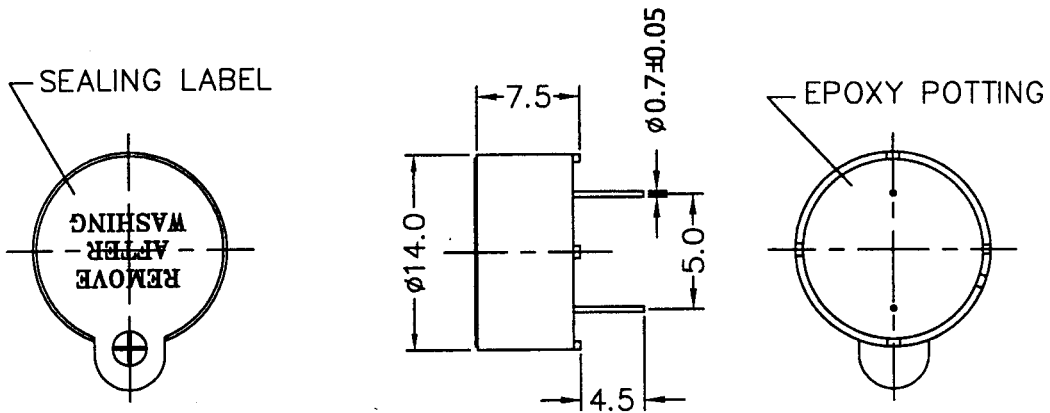
Part shall be measured under a condition
(Temperature : +5 to +35°C, Humidity : 45% to 85%R.H.)
unless the standard condition.(Temperature : +25±3°C,
Humidity : 60±10%R.H.) is regulated to measure.

3. Mechanical Layout and Dimensions :

3.1 Dimensions

Tolerance: ±0.5 mm except specified

Unit: mm



4. Environment-related substances to be controlled. ※1

◎ Piezoelectric Ceramic Disc.

RoHs Annex :

Application of lead, mercury, cadmium and hexavalent chromium,
which are exempted from the requirement of article 4(1).

* Lead in electronic ceramic parts.(e.g. piezoelectronic devices).

5. Soldering Condition : ※1

5.1 Hand Soldering

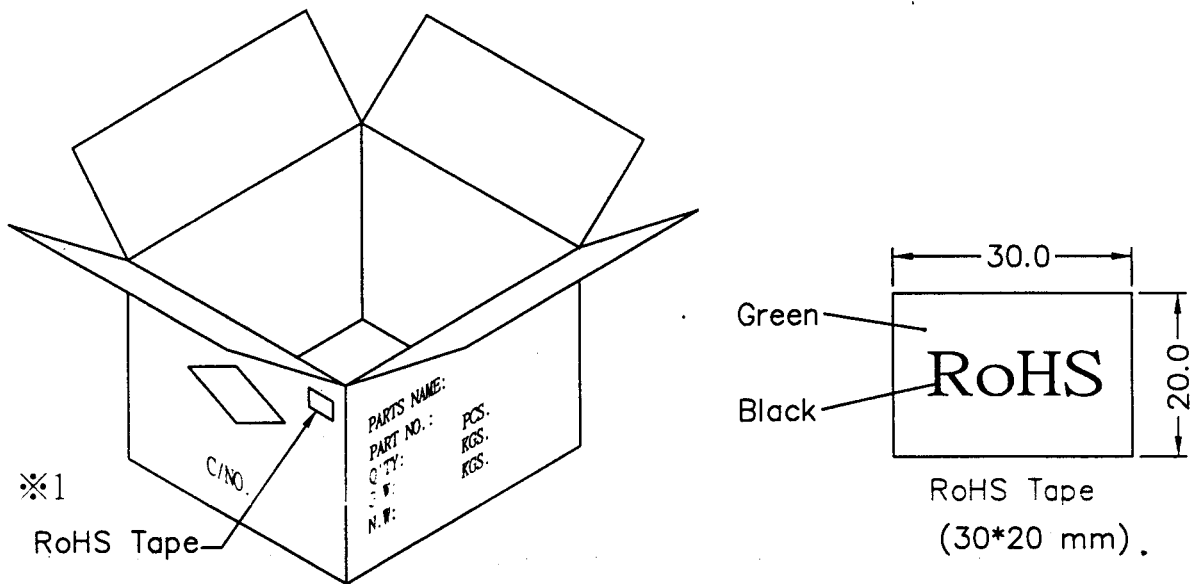
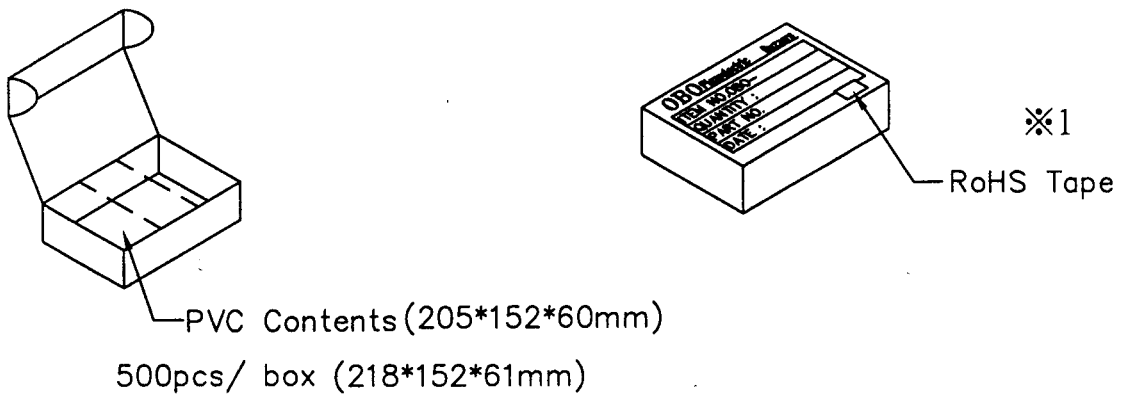
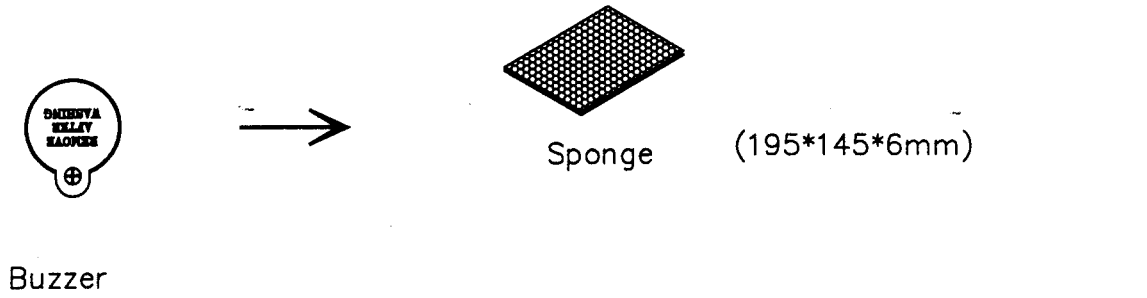
Iron Tip Temperature	Soldering time
+ 380°C Max.	Duration 3 seconds Max.

5.2 Wave Soldering

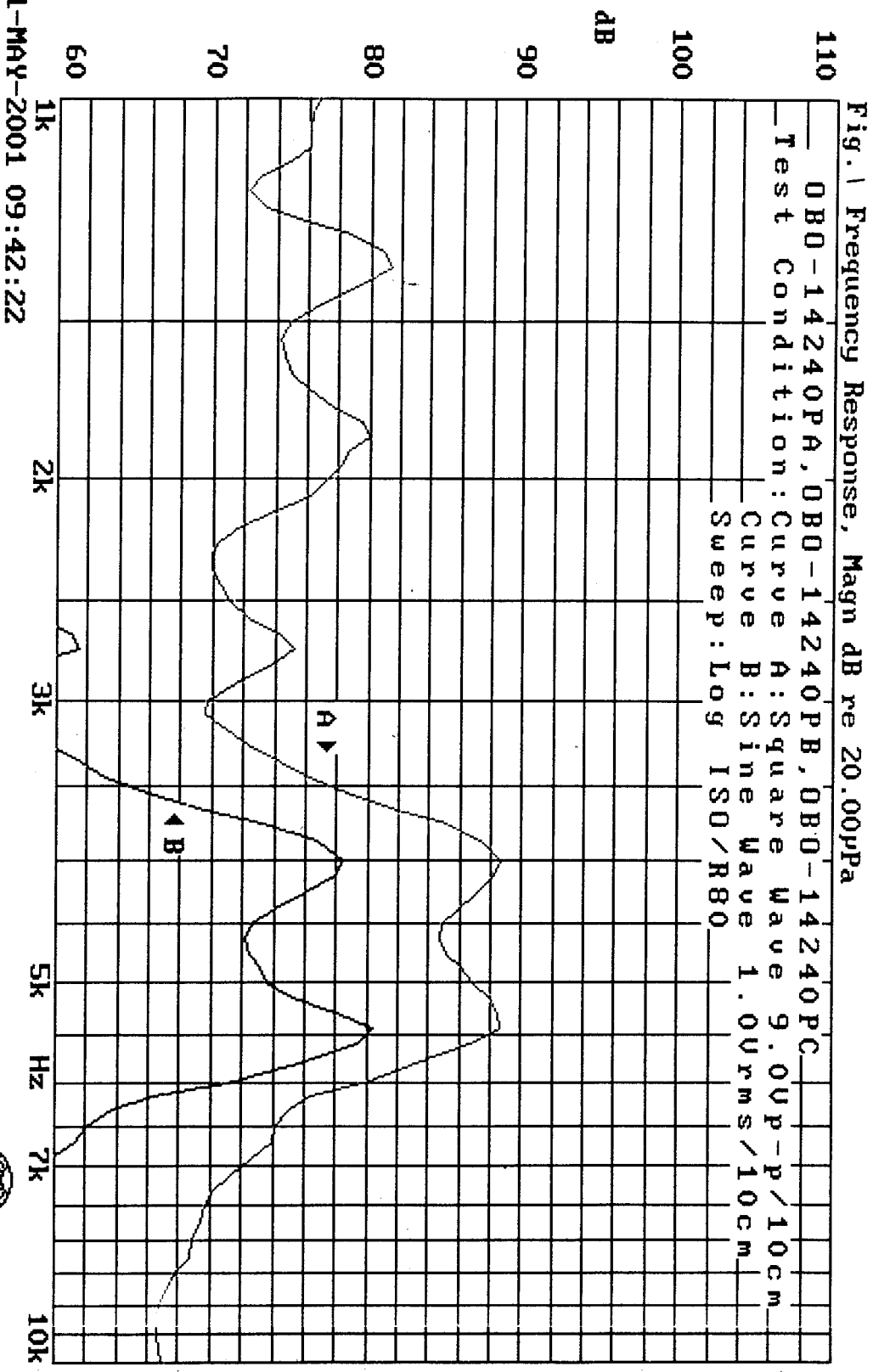
Peak temperature	Dipping time	Soldering
+ 260°C	5 seconds	1 time

OBO Pro.2	SPECIFICATIONS	MODEL NO. OBO-14240PA
	PART NAME Piezoelectric Buzzer	SHEET 4 OF 5

6. Packing



20 box(10,000pcs)/ Carton
Carton: 1.74才 (400*382*358mm)



31-MAY-2001 09:42:22
Mode: MICMEAS

