

<h1>OBO Pro.2</h1>	<h2>SPECIFICATIONS</h2>	<b>MODEL NO.</b> OBO-1206G-C1
	<b>PART NAME</b> Magnetic Transducer	<b>SHEET</b> 1 OF 4

**ALTERNATION HISTORY**

Marking	Date	ECN. NO.	REV.	Description	Page	PREPARE BY	APPROVE BY
※1	FEB,13'07	0611006	E	1.Conformity RoHS Directive ( 2002/95/EC ) Requests	4	劉大成	陳建合

REV.	DATE	PREPARED BY	CHECKED BY	APPROVED BY
E	FEB,13,2007	ANDY	陳建合	陳建合

<b>OBO Pro.2</b>	<b>SPECIFICATIONS</b>	<b>MODEL NO.</b> OBO-1206G-C1
	<b>PART NAME</b> Magnetic Transducer	<b>SHEET</b> 2 OF 4

**MODEL NO : OBO-1206G-C1**

**Features : Conformity RoHS Directive ( 2002/95/EC ) Requests.** ※1

**Wave Solder And Wash Not Allowed**

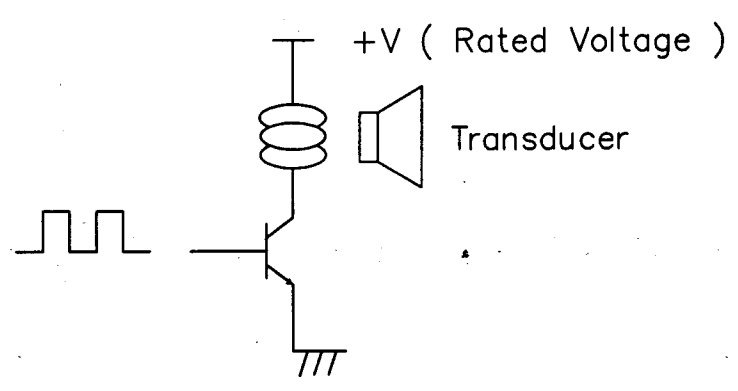
**1. General Specifications :**

Items	SPEC
※ Sound Pressure Level	82 dB min./10cm/DC 6V
Rated Voltage	DC 6V
Resonant Frequency	2048 Hz
※ Rated Current	30mA max./DC 6V
Coil Resistance	73 ±6Ω
Operating Voltage	DC 4 to 8 V
Housing Material	NORYL
Operating Temp. Range	-30°C to +70°C
Storage Temp Range	-30°C to +80°C
Weight	2.0 gms

※ Applying rated voltage/ Resonant Frequency , 1/2 duty Square wave

**2. Recommended Driving Circuit:**

Signal:  
Resonant frequency, 1/2 duty cycle, square wave.  
signal amplitude should be large enough to saturate the transistor which drives the buzzer.

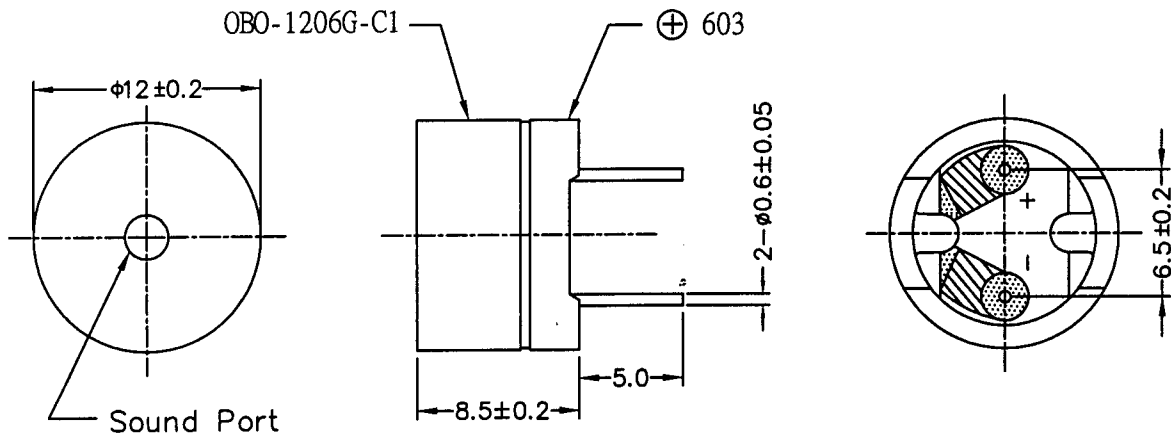


<b>OBO Pro.2</b>	<b>SPECIFICATIONS</b>	<b>MODEL NO.</b> OBO-1206G-C1
	<b>PART NAME</b> Magnetic Transducer	<b>SHEET</b> 3 OF 4

### 3. Mechanical Layout and Dimensions :

#### 3.1 Dimensions

Tolerance:  $\pm 0.5\text{mm}$  Unit: mm



#### 3.2 Meaning of Stamp Mark

603 : Production Period

6 : Year 2006 (last 1 figures of the year)

03 : Week (01~55)

### 4. Soldering Condition : ※1

#### 4.1 Hand Soldering

Iron Tip Temperature	Soldering time
+ 380°C Max.	Duration 3 seconds Max.

<b>OBO Pro.2</b>	<b>SPECIFICATIONS</b>	<b>MODEL NO.</b> OBO-1206G-C1
	PART NAME Magnetic Transducer	<b>SHEET</b> 4 OF 4

**5. Packing Information :**

