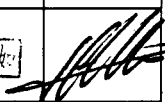

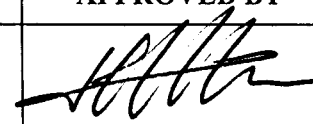


OBO Pro.2	SPECIFICATIONS	MODEL NO. OBO-1205M-B3
	PART NAME Magnetic Transducer	SHEET 1 OF 5

ALTERNATION HISTORY

Marking	Date	ECN NO.	REV.	Description	Page	PREPARE BY	APPROVE BY
※1	MAY,29'06	0603012	B	Conformity RoHS Directive (2002/95/EC) Requests.	5	馮仁如	

REV.	DATE	PREPARED BY	CHECKED BY	APPROVED BY
B	MAY,29,2006	LULU		

OBO Pro.2	SPECIFICATIONS	MODEL NO. OBO-1205M-B3
	PART NAME Magnetic Transducer	SHEET 2 OF 5

MODEL NO : OBO-1205M-B3

Features : Conformity RoHS Directive (2002/95/EC) Requests. ※1

1. General Specifications :

Items	Spec
※ Sound Pressure Level	85 dB min./10cm/ 5.0V
Rated Voltage	5.0V
Resonant Frequency	2048 Hz
※ Rated Current	50 mA max./ 5.0V ※1
Coil Resistance	42 ± 6Ω
Operating Voltage	3 to 8V ※1
Housing Material	NORYL
Operating Temp. Range	-20°C to +70°C
Storage Temp Range	-30°C to +80°C ※1
Weight	2.0 gms

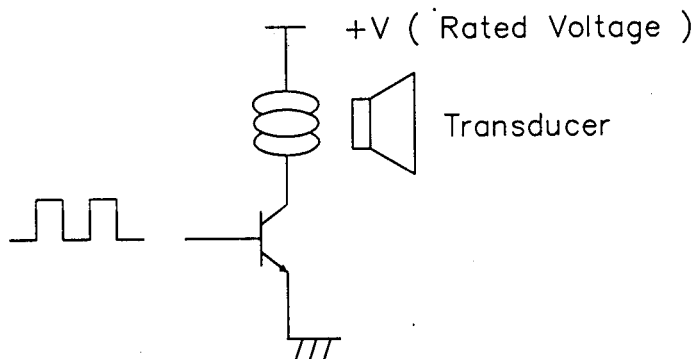
※ Applying rated voltage/ Resonant Frequency , 1/2 duty Square wave

2. Recommended Driving Circuit :

Signal :

Resonant frequency, 1/2 duty cycle, square wave.

signal amplitude should be large enough to saturate the transistor which drives the buzzer.

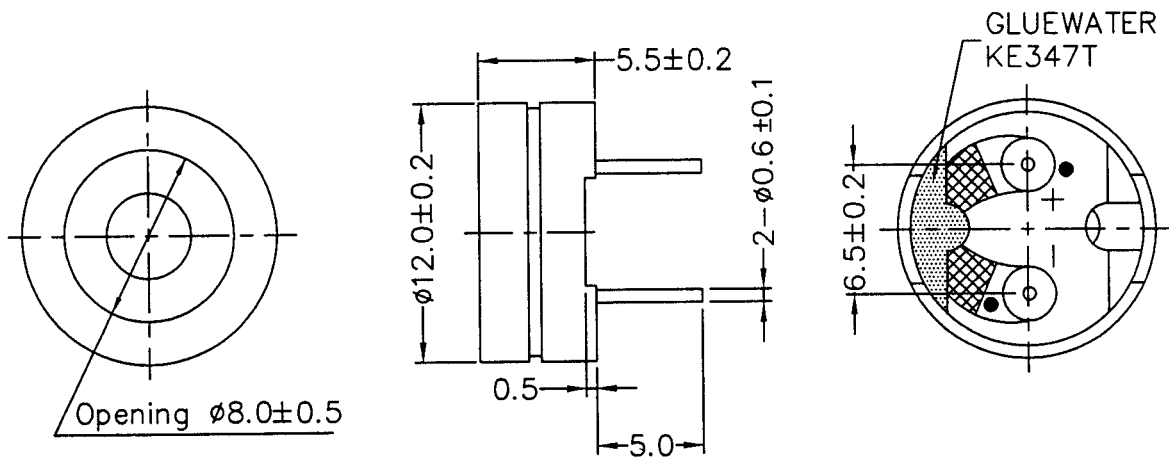


OBO Pro.2	SPECIFICATIONS	MODEL NO. OBO-1205M-B3
	PART NAME Magnetic Transducer	SHEET 3 OF 5

3. Mechanical Layout and Dimensions :

3.1 Dimensions

Tolerance: $\pm 0.5\text{mm}$ Unit: mm



Wash Not Allowed

4. Soldering Condition : ※1

4.1 Hand Soldering

Iron Tip Temperature	Soldering time
+ 380°C Max.	Duration 3 seconds Max.

OBO Pro.2

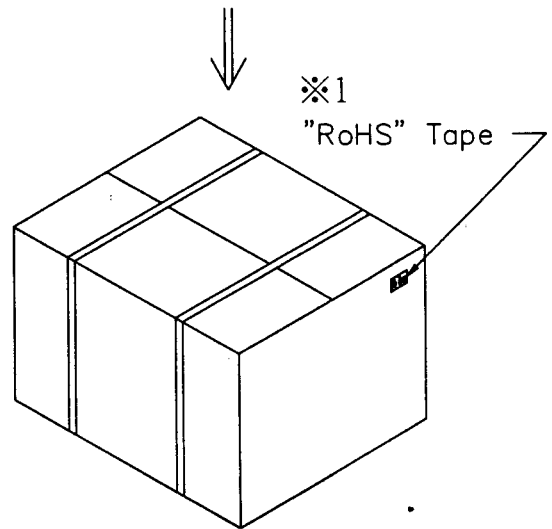
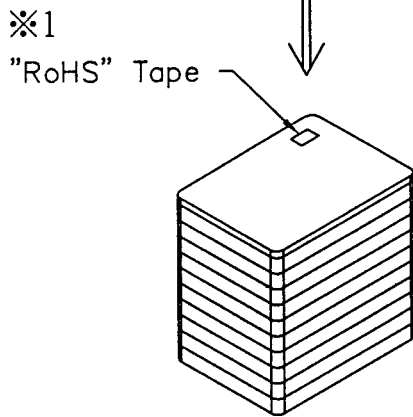
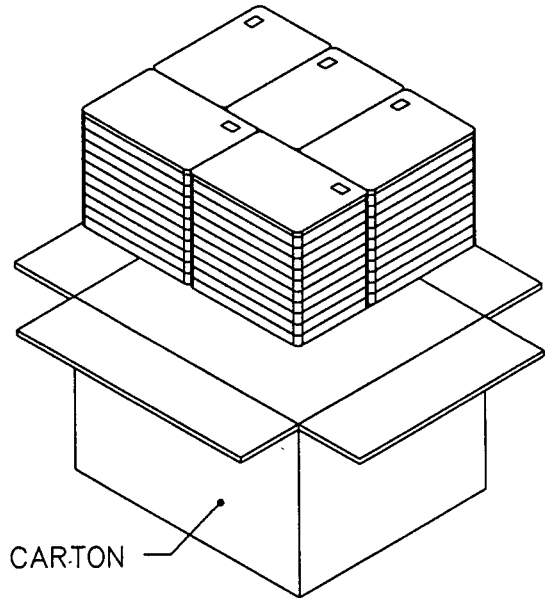
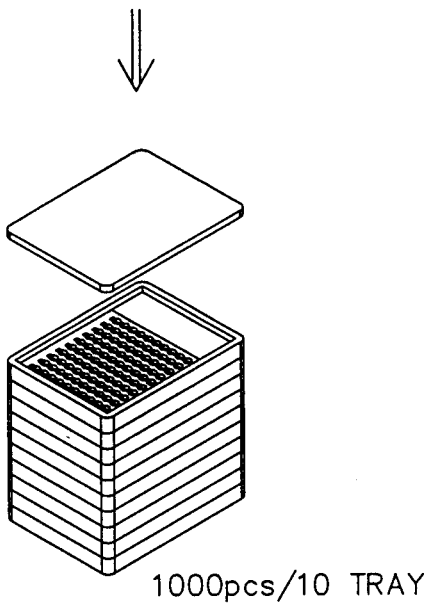
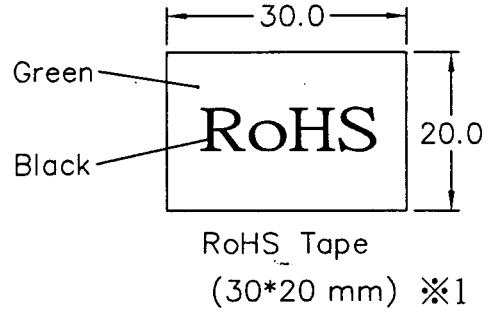
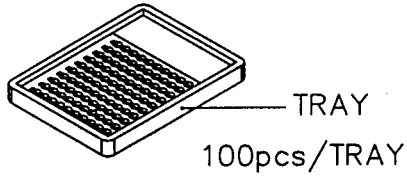
SPECIFICATIONS

MODEL NO.
OBO-1205M-B3

PART NAME
Magnetic Transducer

SHEET
4 OF 5

5. Packing Information :



5000pcs/CARTON
(50.5*42*28CM)

