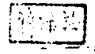

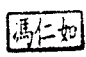
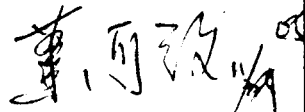


<b>OBO Pro.2</b>	<b>SPECIFICATIONS</b>	MODEL NO. OBO-1205A-D2
	PART NAME Magnetic Transducer	SHEET 1 OF 5

**ALTERNATION HISTORY**

Marking	Date	ECN. NO.	REV.	Description	Page	PREPARE BY	APPROVE BY
※1	NOV,17'05	0511001	G	1.Conformity RoHS Directive ( 2002/95/EC ) Requests 2.Increase by Soldering Condition & "Pb-Free" Tapy.	5		

REV.	DATE	PREPARED BY	CHECKED BY	APPROVED BY
G	NOV,17,2005	PEI LING	 馮仁如 11/18/05	

<b>OBO Pro.2</b>	<b>SPECIFICATIONS</b>	<b>MODEL NO.</b> OBO-1205A-D2
	<b>PART NAME</b> Magnetic Transducer	<b>SHEET</b> 2 OF 5

**MODEL NO : OBO-1205A-D2**

**Features : Conformity RoHS Directive ( 2002/95/EC ) Requests.**

**Wave solder and wash allowed. ※1**

**1. General Specifications :**

Items	SPEC
※ Sound Pressure Level	82 dB min./10cm/DC 5.0V
Rated Voltage	DC 5.0V
Resonant Frequency	2048 Hz
※ Rated Current	50mA max./DC 5.0V
Coil Resistance	42 ±5Ω
Operating Voltage	DC 3 to 7V
Housing Material	NORYL
Operating Temp. Range	-20°C to +70°C
Storage Temp Range	-30°C to +85°C
Weight	2.0 gms

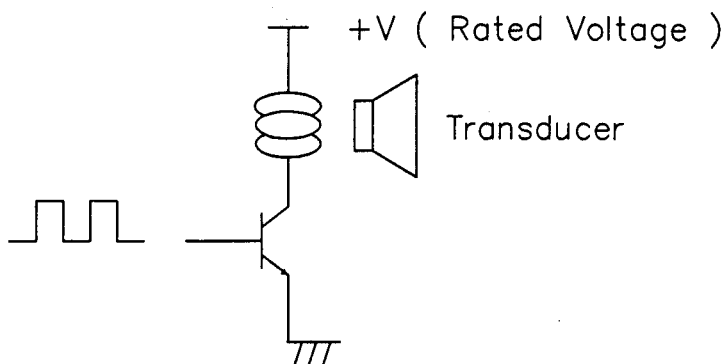
※ Applying rated voltage/ Resonant Frequency , 1/2 duty Square wave

**2. Recommended Driving Circuit:**

Signal:

Resonant frequency, 1/2 duty cycle, square wave.

signal amplitude should be large enough to saturate the transistor which drives the buzzer.

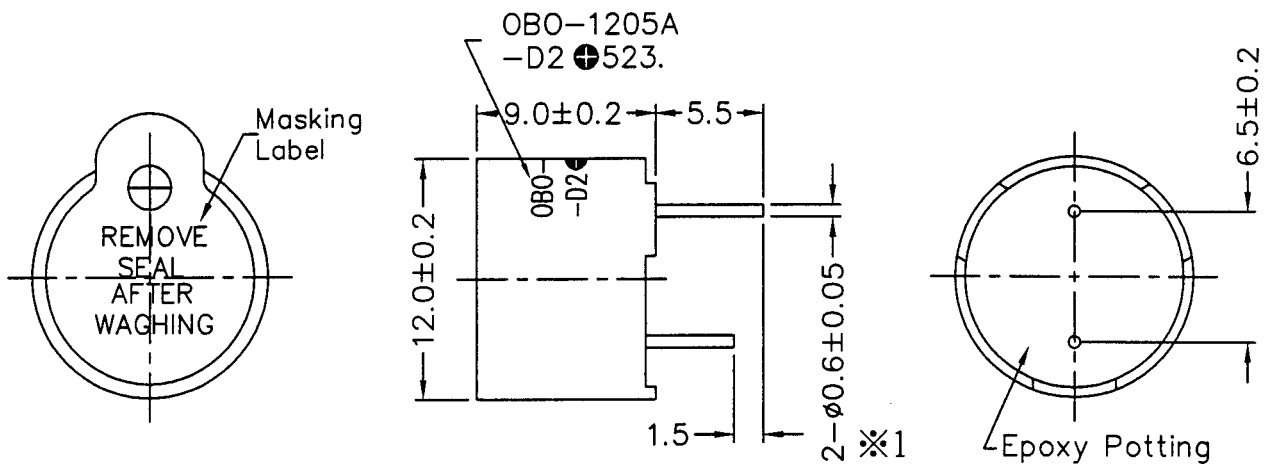


<b>OBO Pro.2</b>	<b>SPECIFICATIONS</b>	<b>MODEL NO.</b> OBO-1205A-D2
	PART NAME Magnetic Transducer	<b>SHEET</b> 3 OF 5

### 3. Mechanical Layout and Dimensions :

#### 3.1 Dimensions

Tolerance:  $\pm 0.5\text{mm}$  Unit: mm



Wave Solder And Wash Allowed

#### 3.2 Meaning of Stamp Mark

523 : Production Period

5 : Year 2005 (last 1 figures of the year)

23 : Week (01~55)

### 4. Soldering Condition : ※1

#### 4.1 Wave Soldering

Peak temperature	Dipping time	Soldering
+ 230°C	5 seconds	1 time

#### 4.2 Hand Soldering

Iron Tip Temperature	Soldering time
+ 350°C , Duration	3 seconds Max.

<b>OBO Pro.2</b>	<b>SPECIFICATIONS</b>	<b>MODEL NO.</b> OBO-1205A-D2
	<b>PART NAME</b> Magnetic Transducer	<b>SHEET</b> 4 OF 5

**5. Packing Information :**

