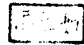
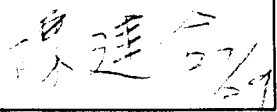


| | | |
|------------------|----------------------------------|---------------------------|
| OBO Pro.2 | SPECIFICATIONS | MODEL NO. OBO-1201M-B3 |
| | PART NAME Magnetic Transducer | SHEET 1 OF 5 |

ALTERNATION HISTORY

| Marking | Date | ECN NO. | REV. | Description | Page | PREPARE BY | APPROVE BY |
|---------|-------------|---------|------|--|------------|---|------------|
| --- | FEB,02,2003 | 0302008 | E | 1.Change operating temp:-20~+60 to -20~+70. 2.Change storage temp:-30~+70 to -30~+80. | 3 | 吳裕寧 | 吳永文 |
| ※1 | OCT,20,2004 | 0410003 | F | Change Packing & Pb-free Soldering. | 2/5 4/5 | 簡沛玲 | 陳建合 |
| ※2 | JUL,29'05 | 0507014 | G | Conformity RoHS Directive (2002/95/EC) Requests. | 5 |  | DARREN |
| | | | | | | | |

| REV. | DATE | PREPARED BY | CHECKED BY | APPROVED BY |
|------|-------------|-------------|------------|---|
| G | JUL,29,2005 | LULU | DARREN |  |

| | | |
|-------------------|---|----------------------------------|
| OBO Pro.2® | SPECIFICATIONS | MODEL NO. OBO-1201M-B3 |
| | PART NAME Magnetic Transducer | SHEET 2 OF 5 |

MODEL NO : OBO-1201M-B3

Features : Conformity RoHS Directive (2002/95/EC) Requests. ※1※2
Wave solder and wash allowed.

1、General Specifications :

| Items | SPEC |
|------------------------|-------------------------|
| ※ Sound Pressure Level | 70 dB min./10cm/DC 1.5V |
| Rated Voltage | DC 1.5V |
| Resonant Frequency | 2048 Hz |
| ※ Rated Current | 15mA max./DC 1.5V |
| Coil Resistance | 42 ± 6 Ω |
| Operating Voltage | DC 1 to 3 V |
| Housing Material | NORYL |
| Operating Temp. Range | -25°C to +70°C |
| Storage Temp Range | -30°C to +80°C |
| Weight | 1.3 gms |

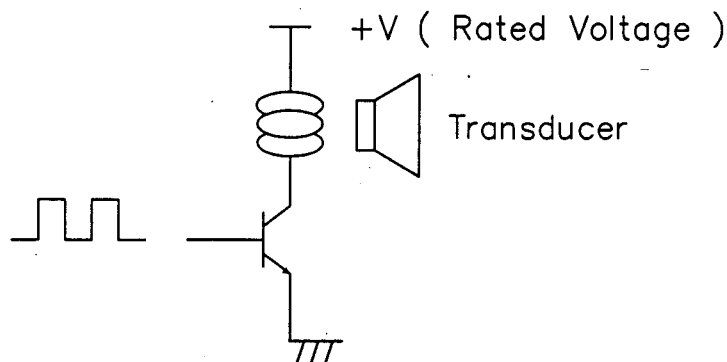
※ Applying rated voltage/ Resonant Frequency , 1/2 duty Square wave

2、Recommended Driving Circuit:

Signal:

Resonant frequency, 1/2 duty cycle, square wave.

signal amplitude should be large enough to saturate the transistor which drives the buzzer.

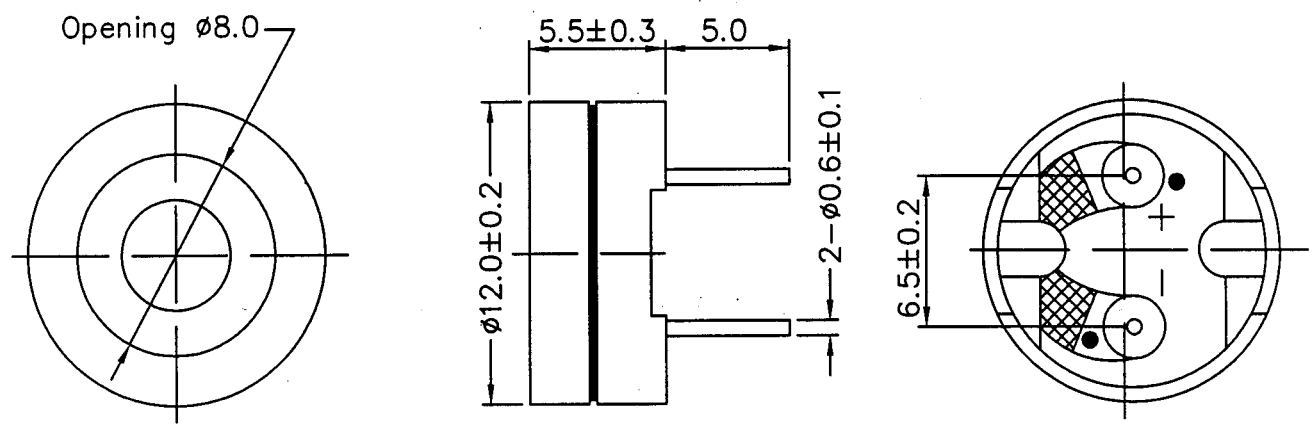


| | | |
|------------------|---|----------------------------------|
| OBO Pro.2 | SPECIFICATIONS | MODEL NO. OBO-1201M-B3 |
| | PART NAME Magnetic Transducer | SHEET 3 OF 5 |

3、Mechanical Layout and Dimensions :

3.1 Dimensions

Tolerance: $\pm 0.5\text{mm}$ Unit: mm



OBO Pro.2

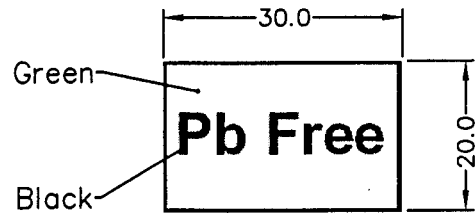
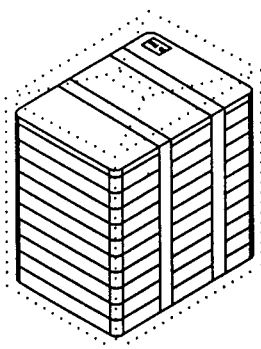
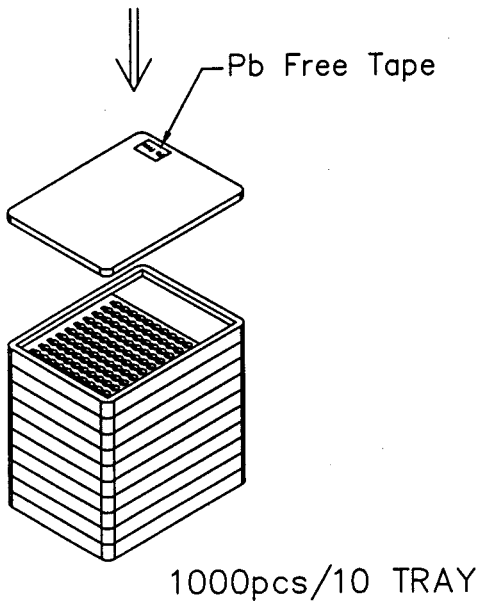
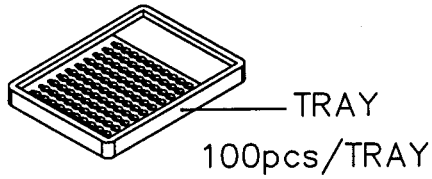
SPECIFICATIONS

MODEL NO.
OBO-1201M-B3

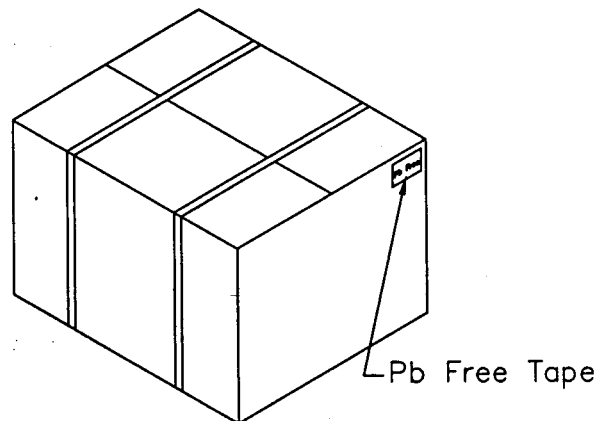
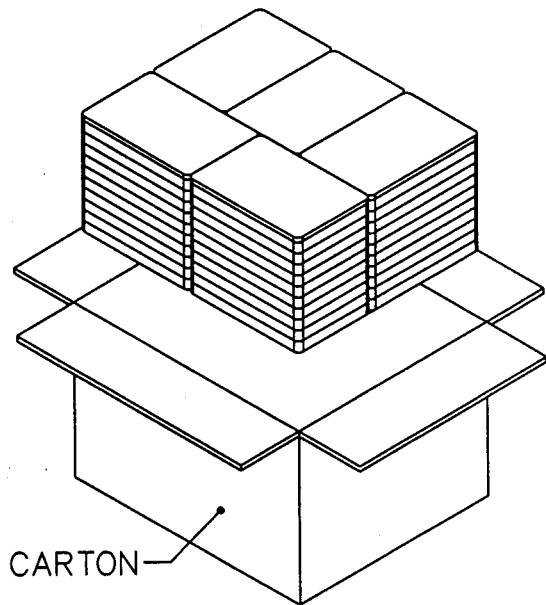
PART NAME
Magnetic Transducer

SHEET
4 OF 5

4、Packing Information : ※1 ※2



Pb Free Tape
(30*20 mm)



5000pcs/CARTON
(50.5*42*28CM)

