

OBO Pro.2®

SPECIFICATIONS

MODEL NO.
OBO-1201G-B1

PART NAME
Magnetic Transducer

SHEET
1 OF 4

ALTERNATION HISTORY

OBO PRO.2 INC.
2008 NOV 03
文 件 Page 4
PREPARED BY 李保祿
APPROVE BY

Marking	Date	ECN. NO.	REV.	Description	Page	PREPARED BY	APPROVE BY
※1	SEP,06'05	0505007	G	1.Conformity RoHS Directive (2002/95/EC)Requests & Weight.) 2.Increase by Soldering Condition & "Pb-Free" Tapy)	5	簡沛玲	李保祿
※2	OCT,30'08	DG0810010	H	1.Delete Wave solder 2.Change RoHS Label.	4	王志偉	Josqn

REV.	DATE	PREPARED BY	CHECKED BY	APPROVED BY
H	OCT,30,2008	王志偉	楊冉	Josqn 10/30

OBO Pro.2**SPECIFICATIONS****MODEL NO.**
OBO-1201G-B1**PART NAME**
Magnetic Transducer**SHEET**
OBO Pro.2 FNC.

2008 NOV 03

文件发行章

MODEL NO : OBO-1201G-B1**Features : Conformity RoHS Directive (2002/95/EC) Requests. ※2**
Wash not allowed.**1. General Specifications :**

Items	SPEC
※ Sound Pressure Level	85 dB min./10cm/DC 1.5V
Rated Voltage	DC 1.5V
Resonant Frequency	2048
※ Rated Current	15mA max./DC 1.5V
Coil Resistance	42 ± 6 Ω
Operating Voltage	DC 1.0 to 3.0 V
Housing Material	NORYL
Operating Temp. Range	-25°C to +70°C
Storage Temp Range	-30°C to +80°C
Weight	1.4 gms

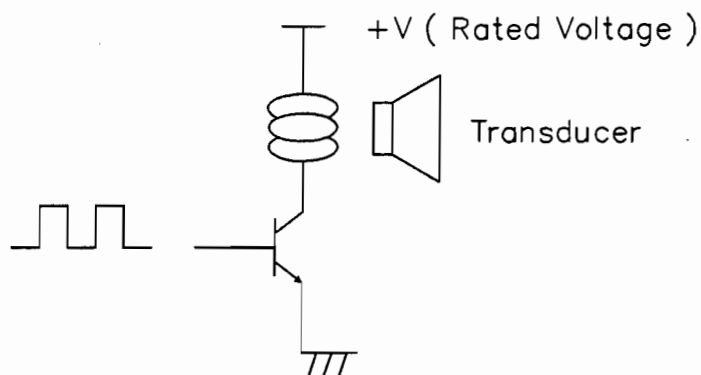
※ Applying rated voltage/ Resonant Frequency , 1/2 duty Square wave

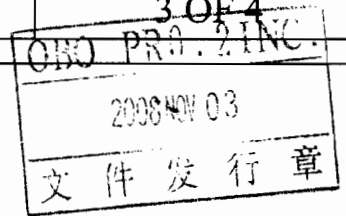
2. Recommended Driving Circuit:

Signal:

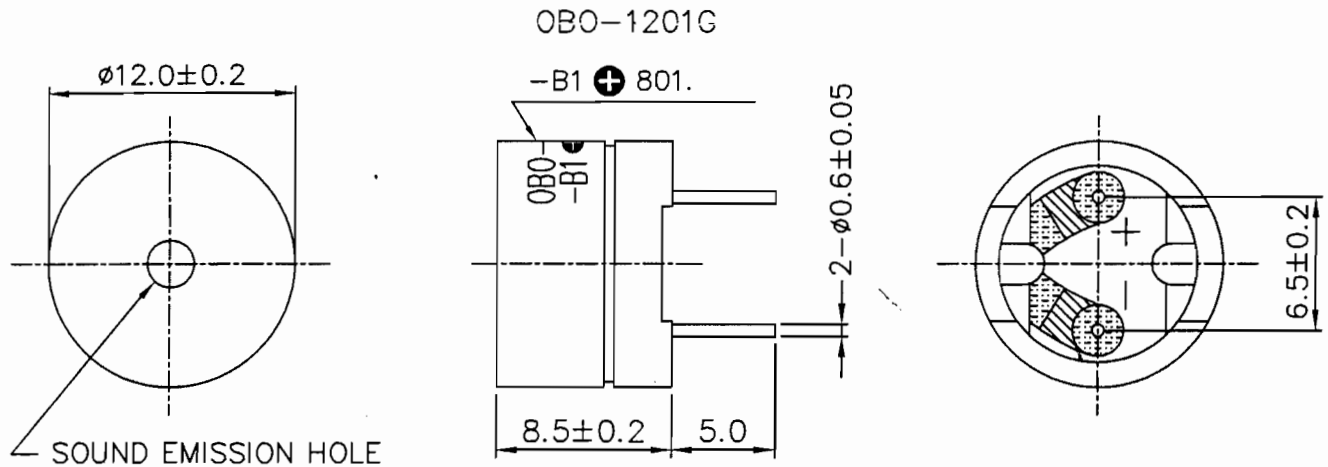
Resonant frequency, 1/2 duty cycle, square wave.

signal amplitude should be large enough to saturate the transistor which drives the buzzer.



**3. Mechanical Layout and Dimensions :**

3.1 Dimensions



3.2 Meaning of Stamp Mark

801 : Production Period

8 : Year 2008 (last 1 figures of the year)

01 : Week (01~55)

4. Soldering Condition ※2

4.1 Hand Soldering

Iron Tip Temperature	Soldering time
+ 380°C	Duration 3 seconds Max.

OBO Pro.2

SPECIFICATIONS

MODEL NO.
OBO-1201G-B1

PART NAME
Magnetic Transducer

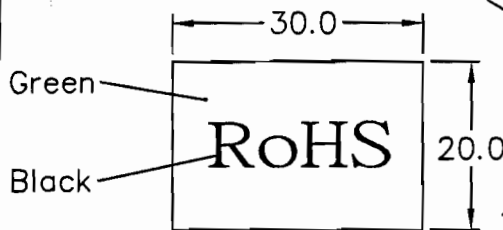
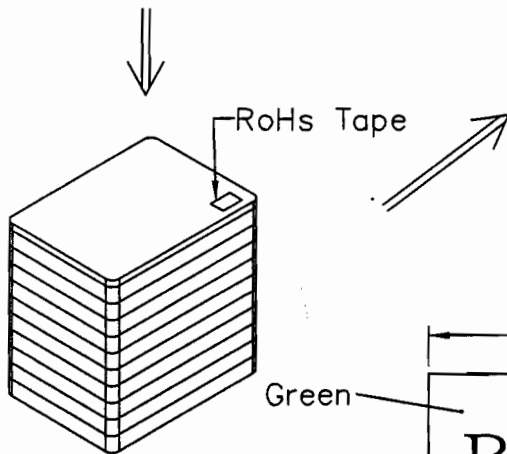
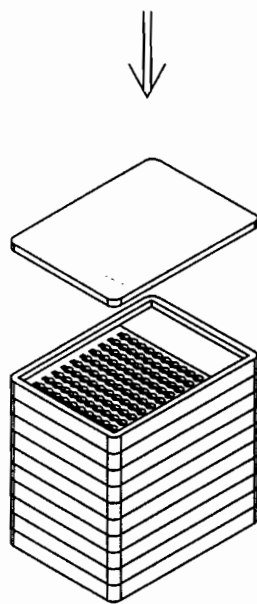
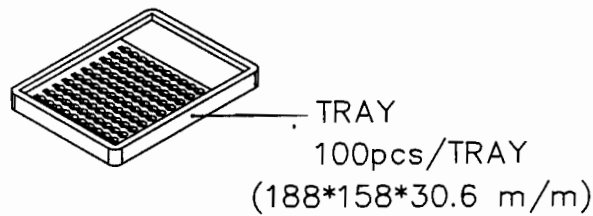
SHEET

OBO PRO 4 OF 4

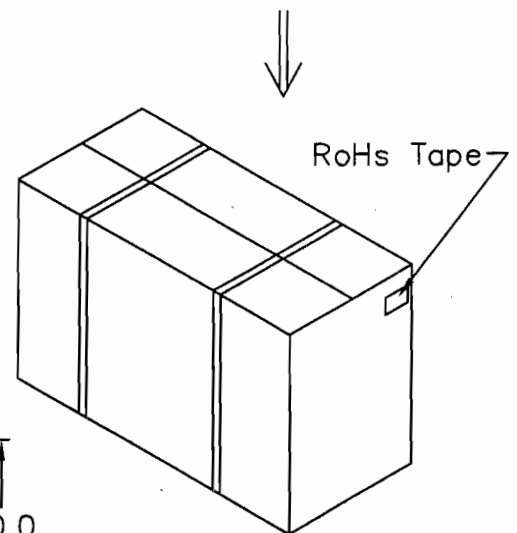
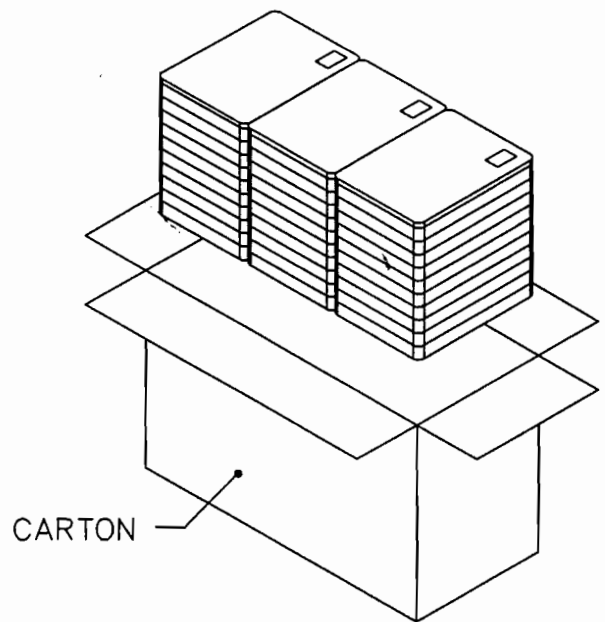
2008 NOV 03

文件发行章

5. Packing Information :



RoHS Tape
(30*20 mm)



3000pcs/CARTON
(50.5*42*28CM)