



# OBO Pro.2

## SPECIFICATIONS

PART NAME  
DYNAMIC SPEAKER

MODEL NO. OBO-10032F-05  
SHEET 2 OF 6  
發行章

MODEL NO : OBO-10032F-05

Features:Conformity RoHS Directive(2002/95/EC) Requests.

### 1. General Specifications

Items	Spec.
Weight	Approx 0.7 Grams
Nominal Impedance	32 Ohm±15% At 1200 Hz/0.2V
Power Rating	Normal 10mW. Maximum 20mW.
Lowest Resonant Frequency	700±150Hz.
Output Sound Pressure Level (S.P.L)	98±3dB /0.178V (Artificial Ear IEC-318)Average at 1000~2000Hz.
Frequency Range	400 ~ 6,000 Hz. Average SPL -20dB.
Distortion	5% Maximum At 1000Hz/0.178V
Abnormal Sound Test	Must be Normal Tested by 0.56Volts. Sine Wave 50~5000Hz
Polarity	Diaphragm shall move Forward when Apply a Positive DC Current to the "+" or "Marked" Terminal.
Operating Temperature	-25°C to +50°C
Storage Temperature	-25°C to +55°C

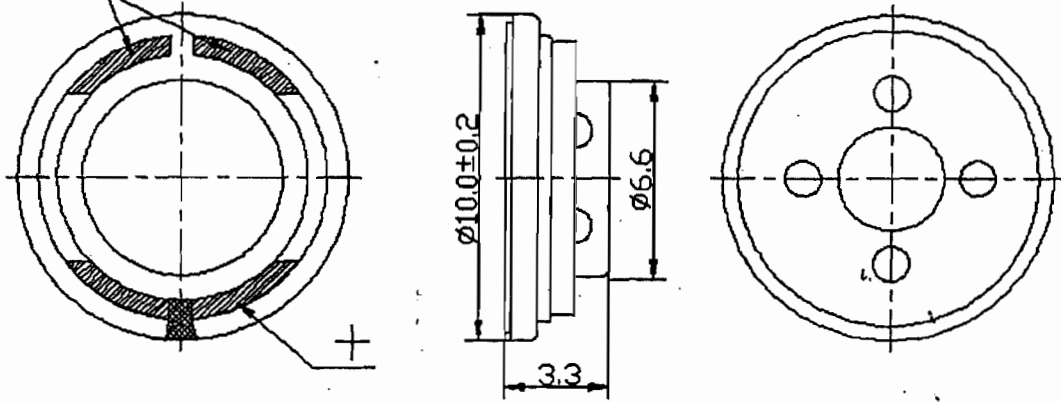
### 2. Environmental Test

Humidity Test	Temperature:	+40°C±3°C
	Relative Humidity:	90% ~ 95%
	Duration:	96 Hours
	Duration of recovery:	6 Hours
Temperature Cycle Test	Temperature:	+55°C → +25°C → -25°C → +25°C
	Duration:	1Hour 1Hour 1Hour 1Hour
	Cycle:	3 Cycles
Load Test	White Noise With Weighted Filter 0.56 Volts.(RMS) 100 Hz.	

### 3. Mechanical Layout And Dimensions

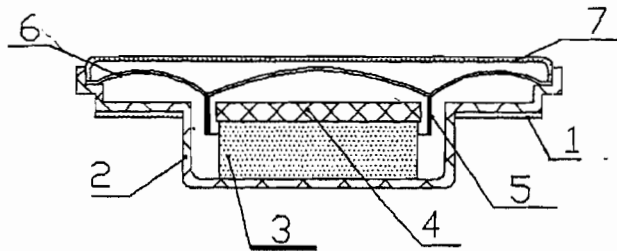
#### 3.1 Dimensions

Soldering Location



Unit: mm Tol:  $\pm 0.3$

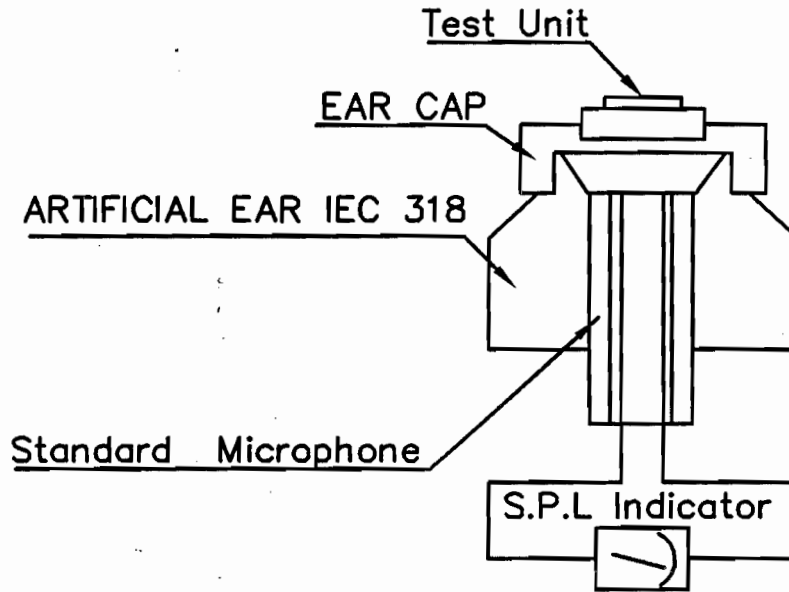
#### 3.2 Construction Diagram



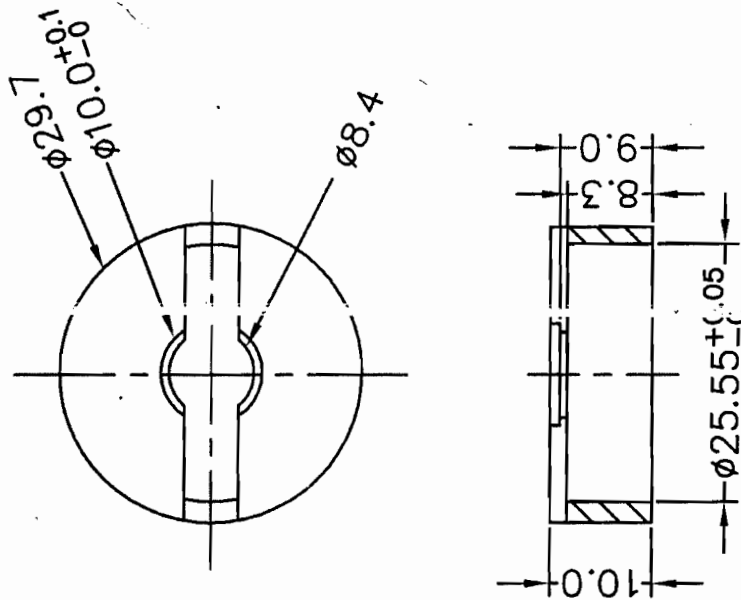
NO	Part Name	MATERIAL
1	Terminal	P.C.C
2	Yoke	SPCC
3	Magnet	NdFeB
4	Washer	SPCC
5	Voice Coil	DIA 5.26mm
6	Diaphragm	MYLAR
7	Cover	Stainless steel

### 4. Test Method

#### 4.1 Measurement Diagram



#### 4.2 Ear Cap



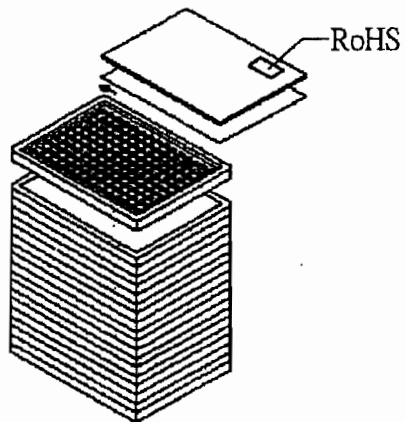
# OBO Pro.2

## SPECIFICATIONS

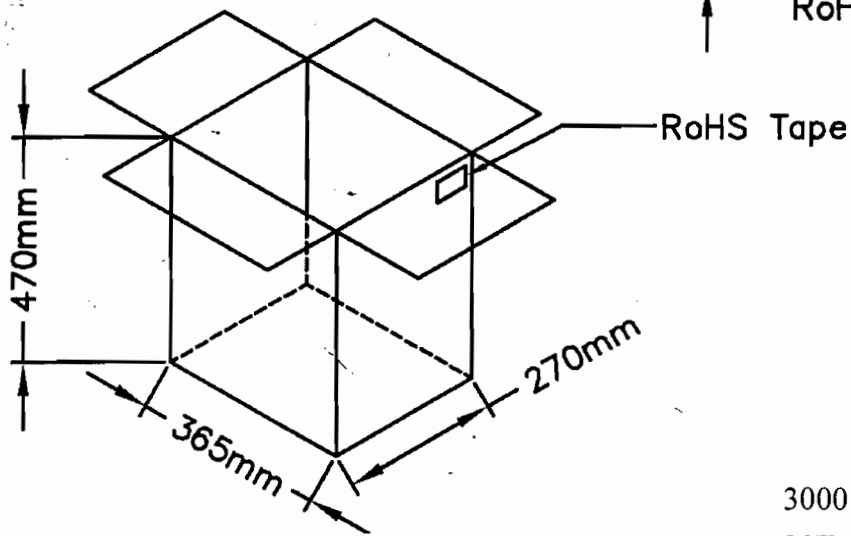
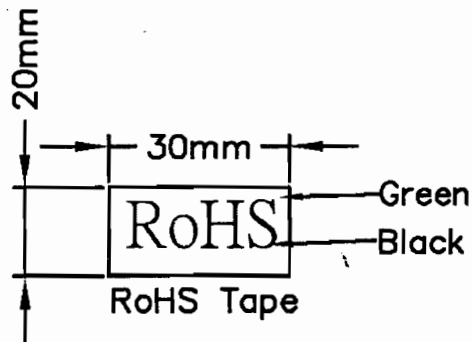
MODEL NO. OBO-10002E-05  
SHEET 5 OF 6  
OBO PRO.2 INC.  
文件发行章

PART NAME  
DYNAMIC SPEAKER

### 5. Packing



150Pcs/Tray



3000 Pcs/Carton  
20Tray(365\*270\*470mm)

# OBO Pro.2

## SPECIFICATIONS

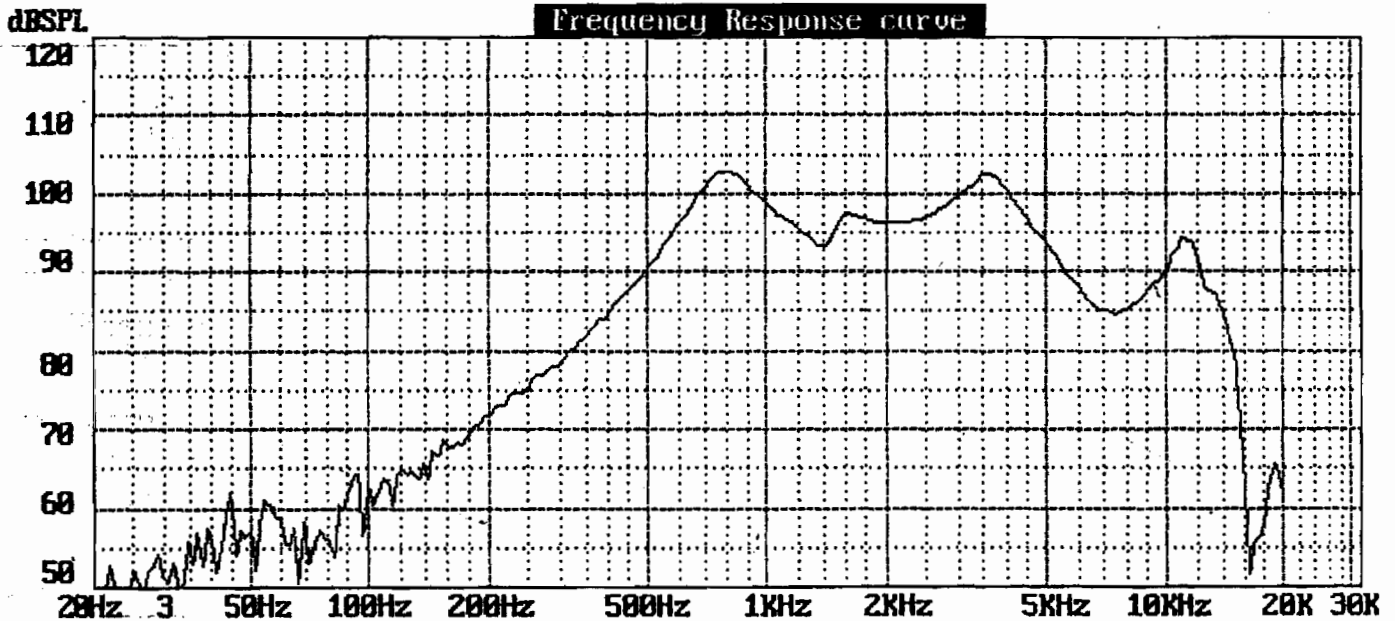
PART NAME  
DYNAMIC SPEAKER

MODEL NO. OBO-10032F405  
SHEET 6 OF 6  
文件发行章

### 6. Frequency Response Curve

Firm: OBO      Model:      DATE: 12-17-2008      TIME: 10:17:46  
1000Hz Sens. = 98.8dB SPL Pass      F.R.: Pass      DCR: 29.92Ω Pass  
Average SPL: 96.7dB SPL Pass      (1000~2000Hz) Sweep Speed: 1/24 Oct.

B 6.11



Voltage applied for **F.R.** = 0.178V      **Start F.** = 20Hz      **Stop F.** = 20000Hz

Mfg.:

Measured using Sunlight 1600; Fax: 886-2-22230727